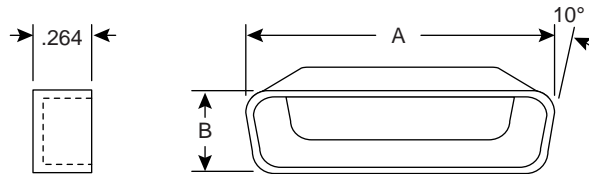


Dimensions (In.)

Specifications:

- Material: phosphor bronze BS 384 solder tinned
- Mounting hole size: .040"
- Board thickness: .063"
- Center to center: .100"
- Color: white



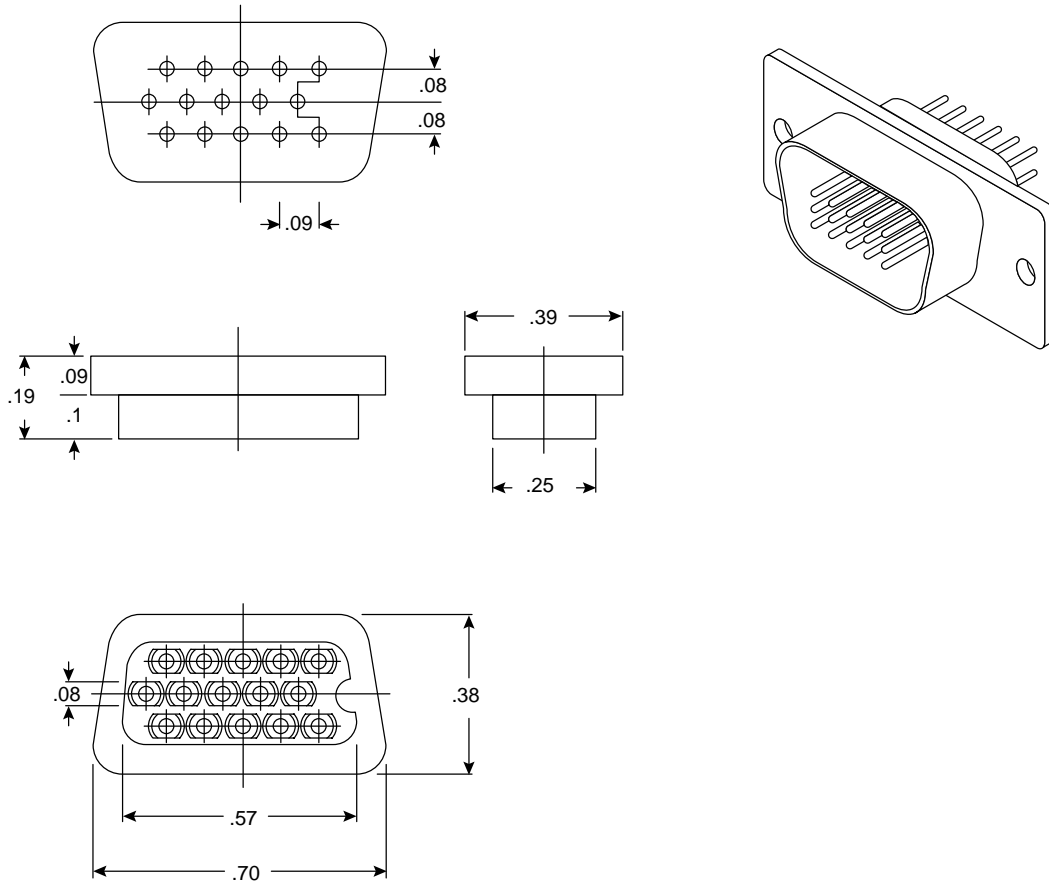
Dimensions (In.)

Specifications:

- Hood color: red
- Material: polyethylene
- Protection: keeps dust & liquids from entering the plug or socket

Mouser Stock No.	Description	Type	Shell Size	Dimension (In.)	
				A	B
152-1042-1P	fits 9 pin	male	1/9	.767	.430
152-1042-1S	fits 9 pin	female	1/9	.685	.362
152-1042-3P	fits 25 pin	male	3/25	1.635	.430
152-1042-3S	fits 25 pin	female	3/25	1.562	.362

Dimensions (In.)



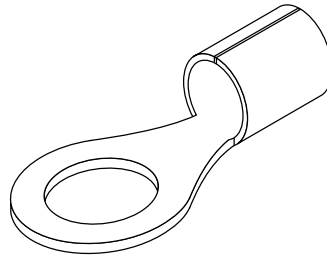
Specifications:

- Insulator: glass filled PBT rated UL94V-0
- Shell: tin plated steel
- Contact: brass (male)
- Current rating: 5 amp per contact
- Breakdown voltage: 1000V
- Temperature rating: -55°C to +105°C

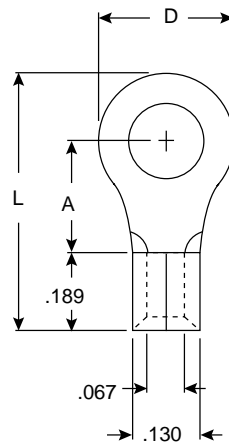
Your source for quality electronics. Toll-free full service

(800) 346-6873

<http://www.mouser.com>



Dimensions (In.)



Specifications:

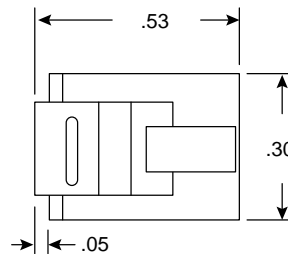
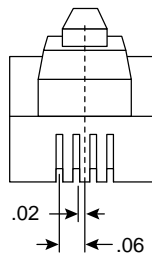
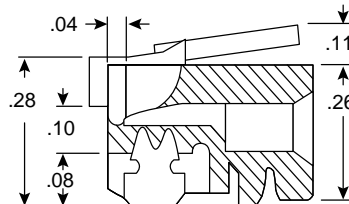
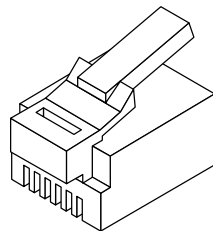
- Wire range: 22 - 16 AWG
- Material: copper
- Material thickness: 0.032"

Mouser Stock No.	Stud Size	Dimensions (In.)		
		D	L	A
ME159-2222	4	.224	.496	.194
ME159-2223	6	.224	.496	.194
ME159-2224	8	.314	.622	.275
ME159-2227	10	.314	.622	.275
ME159-2229	1/4	.457	.858	.437
ME159-2231	5/16	.457	.858	.437

Your source for quality electronics. Toll-free full service

(800) 346-6873

<http://www.mouser.com>



Dimensions (In.)

Specifications:

- USOC type: handset
- Western electric type: 616 (4 conductor for handset to telephone use)
- Color: clear
- Positions-contacts: 4-4
- Housing material: polycarbonate (pc)
- Contact blade: high strength copper alloy [JIS C5191R-H (PBR2)]
(electro-plating specification is based on 100 micro inches nickel underplated & selective gold plate in contact area)
- UL applications: 250VAC (max.) @ 2A
- Insulation resistance: 500MΩ
- Dielectric withstand voltage: 500VAC for 1 minute
- Termination resistance: 35mΩ (max.)

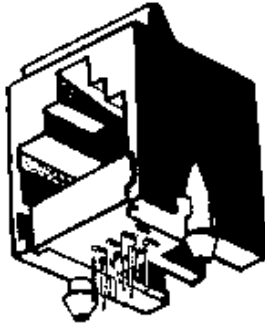


E162960

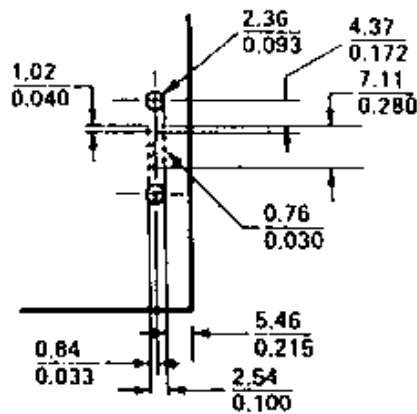
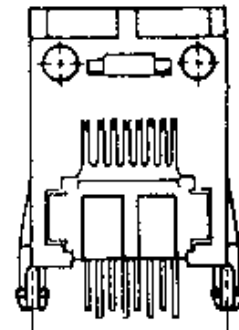
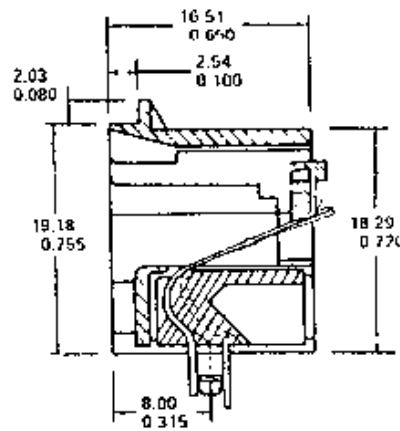
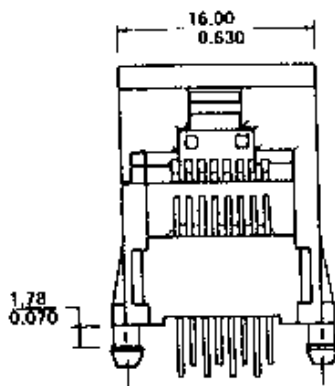
Your source for quality electronics. Toll-free full service.

(800) 346-6873

<http://www.mouser.com>



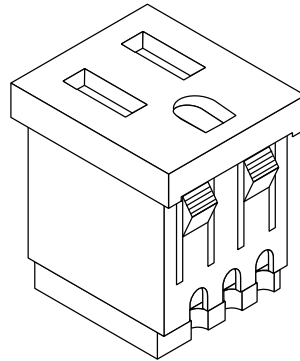
FEATURES:
CYCLOAC ABS PLASTIC BODY
GOLD PLATED CONTACTS



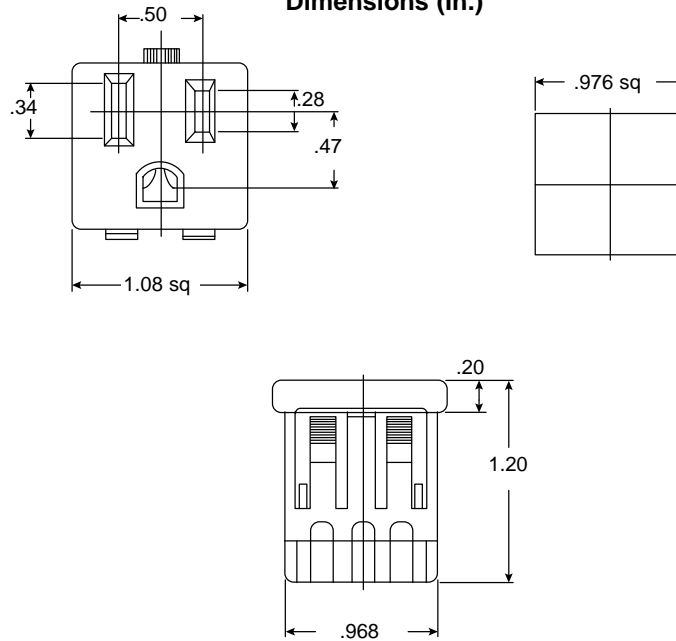
Your source for quality electronics. Toll-free full service

(800) 346-6873

<http://www.mouser.com>



Dimensions (In.)



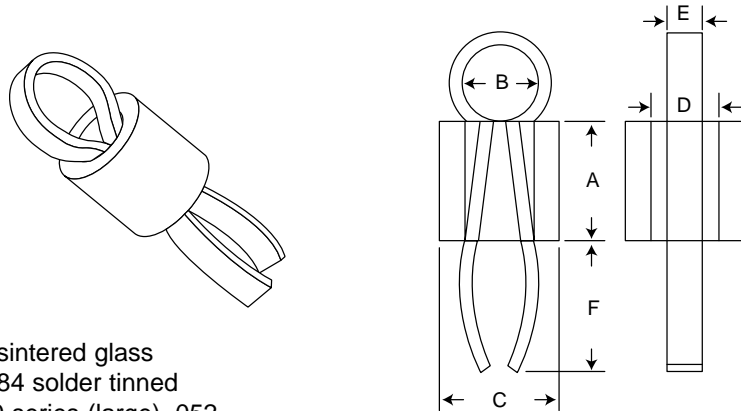
Specifications:

- Rating: 15A @ 125VAC
- Insulation resistance: 100M Ω (min) @ 500VDC
- Dielectric strength: 1500VAC for 1 minute
- Termination: .250" female faston (.250" mating faston terminal required for termination)

Your source for quality electronics. Toll-free full service

(800) 346-6873

<http://www.mouser.com>



Specifications:

- Material bead: boro silicate sintered glass
- Tag: phosphor bronze BS 384 solder tinned
- Mounting hole size: 151-100 series (large) .052
151-200 series (small) .040
151-300 series (long legged) .052

Glass Bead

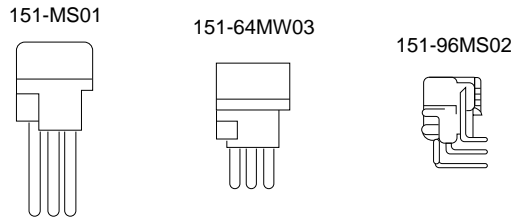
Coeff	Density	Viscosity Poise °C	Log (Ω CM)	Dielectric Properties
Term. Expn X 10 ⁶ /° C	g/cc	14.6 13 7.6 10 10 10	TR DC Resistivity 100 250°C @ 350°C	@ 1MHZ @ 20°C Const Loss Ang
4.94	2.27	475 515 719	365 10.1 8.2	5.7 0.003

Mouser Stock No.	Dimensions (In.)						Board Thickness	Hole Diameter	Center to Center	Colors
	A	B	C	D	E	F				
151-101	.112-.122	.080-.085	.113-.123	.059-.069	.032	.109	.063	.052	.125	White
151-102	.112-.122	.080-.085	.113-.123	.059-.069	.032	.109	.063	.052	.125	Yellow
151-103	.112-.122	.080-.085	.113-.123	.059-.069	.032	.109	.063	.052	.125	Black
151-104	.112-.122	.080-.085	.113-.123	.059-.069	.032	.109	.063	.052	.125	Brown
151-105	.112-.122	.080-.085	.113-.123	.059-.069	.032	.109	.063	.052	.125	Blue
151-106	.112-.122	.080-.085	.113-.123	.059-.069	.032	.109	.063	.052	.125	Pink
151-107	.112-.122	.080-.085	.113-.123	.059-.069	.032	.109	.063	.052	.125	Red
151-108	.112-.122	.080-.085	.113-.123	.059-.069	.032	.109	.063	.052	.125	Green
151-201	.120-.130	.051-.059	.087-.097	.042-.052	.020	.109	.063	.04	.100	White
151-202	.120-.130	.051-.059	.087-.097	.042-.052	.020	.109	.063	.04	.100	Yellow
151-203	.120-.130	.051-.059	.087-.097	.042-.052	.020	.109	.063	.04	.100	Black
151-204	.120-.130	.051-.059	.087-.097	.042-.052	.020	.109	.063	.04	.100	Brown
151-205	.120-.130	.051-.059	.087-.097	.042-.052	.020	.109	.063	.04	.100	Blue
151-206	.120-.130	.051-.059	.087-.097	.042-.052	.020	.109	.063	.04	.100	Pink
151-207	.120-.130	.051-.059	.087-.097	.042-.052	.020	.109	.063	.04	.100	Red
151-208	.120-.130	.051-.059	.087-.097	.042-.052	.020	.109	.063	.04	.100	Green
151-301	.112-.122	.080-.085	.113-.123	.059-.069	.032	.141	.094	.052	.125	White
151-302	.112-.122	.080-.085	.113-.123	.059-.069	.032	.141	.094	.052	.125	Yellow
151-303	.112-.122	.080-.085	.113-.123	.059-.069	.032	.141	.094	.052	.125	Black
151-304	.112-.122	.080-.085	.113-.123	.059-.069	.032	.141	.094	.052	.125	Brown
151-305	.112-.122	.080-.085	.113-.123	.059-.069	.032	.141	.094	.052	.125	Blue
151-306	.112-.122	.080-.085	.113-.123	.059-.069	.032	.141	.094	.052	.125	Pink
151-307	.112-.122	.080-.085	.113-.123	.059-.069	.032	.141	.094	.052	.125	Red
151-308	.112-.122	.080-.085	.113-.123	.059-.069	.032	.141	.094	.052	.125	Green

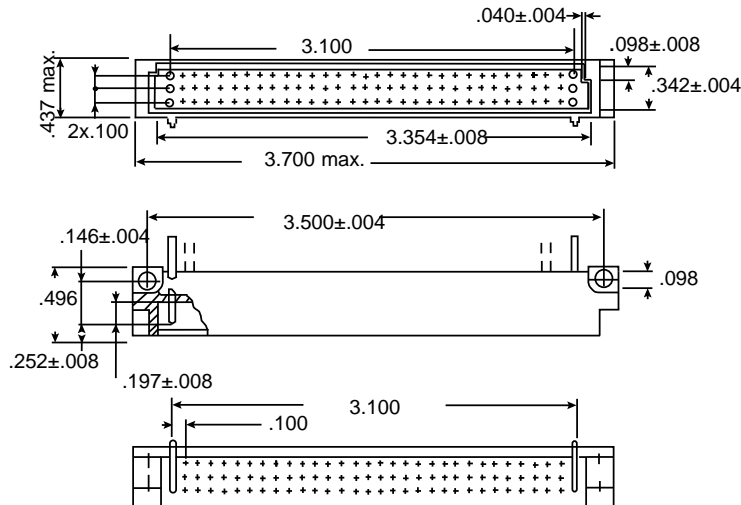
Your source for quality electronics. Toll-free full service

(800) 346-6873

<http://www.mouser.com>



Dimensions (In.)



Description:

- Card connector

Specifications:

- Meets DIN 41612, VG95324 & IEC standards
- Comes in 64 or 96 contacts
- Termination styles: solder, straight, solder right angle & wire wrap
- Contact plating of nickel & cobalt: hardened gold. Mil-G-45204B
- Contact spacing: .100"
- Glass fiber-filled polyester UL flammability: 94V-0
- Temperature rating: -55°C To +125°C
- Contact resistance: $\geq 10M\Omega$
- Retention force: 64 contacts $\leq 60N$
96 contacts $\leq 90N$
 $\geq .15N$ per contact pair

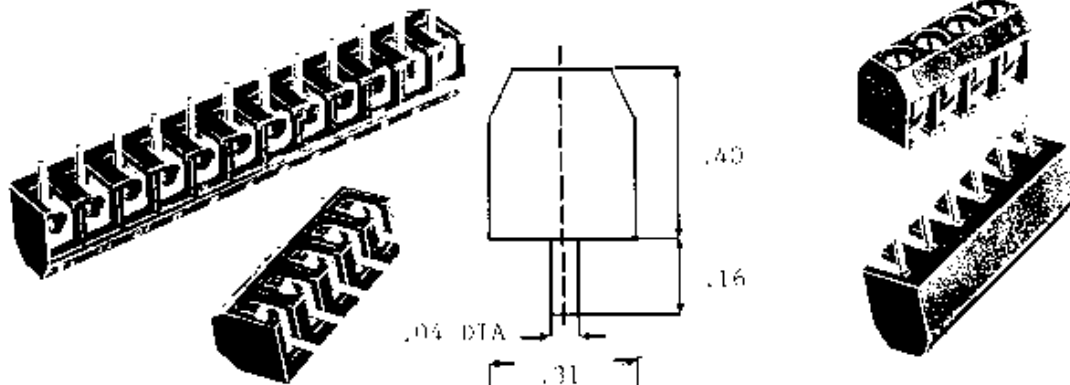
Mouser Stock No.	Pin Length
151-64MS01	.157
151-64MW03	.551
151-96MS02	--

Your source for quality electronics. Toll-free full service

(800) 346-6873

<http://www.mouser.com>

NICKEL PLATED BRASS TERMINALS COMPLETELY SURROUND THE WIRE END, HOLD IT SECURELY IN PLACE, AND ELIMINATE THE NEED FOR LUGS. EACH POSITION IS NUMBERED IN LARGE DIGITS FOR EASY IDENTIFICATION.



SPECIFICATIONS:

- 200" PIN SPACING
- NOMINAL CURRENT LOAD UP TO 6 AMPS
- HOUSING OF GREY POLYIMID, NYLON FIBRE GLASS REINFORCED
- MAXIMUM TEMPERATURE: +150°C
- LOW PROFILE
- PC MOUNTING PINS
- ACCEPTS SOLID OR STRANDED WIRE 14AWG TO 22AWG

DIMENSION 1

1 POSITION	.4
3 POSITION	.6
4 POSITION	.8
5 POSITION	1.0
6 POSITION	1.2
12 POSITION	2.4

DIMENSION 1X INCHES

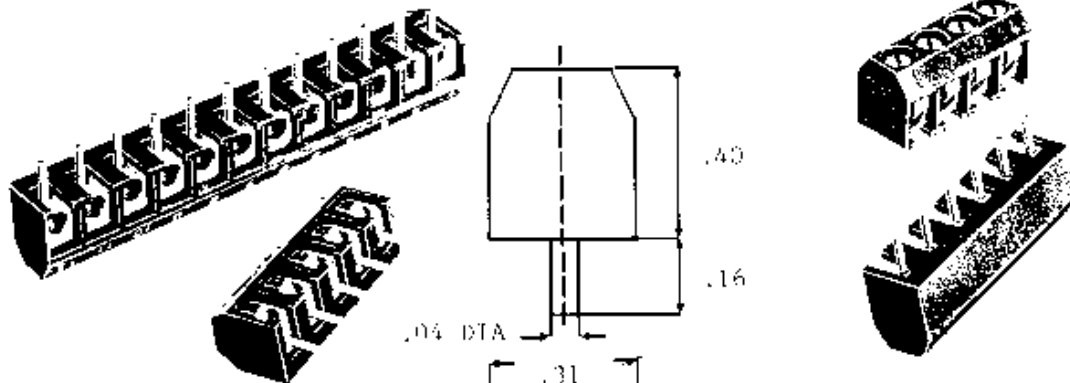
MOUSER STOCK NO.	POS
ME153-2002	2
ME153-2003	3
ME153-2004	4
ME153-2005	5
ME153-2006	6
ME153-2012	12

Your source for quality electronics. Toll-free full service

(800) 346-6873

<http://www.mouser.com>

NICKEL PLATED BRASS TERMINALS COMPLETELY SURROUND THE WIRE END, HOLD IT SECURELY IN PLACE, AND ELIMINATE THE NEED FOR LUGS. EACH POSITION IS NUMBERED IN LARGE DIGITS FOR EASY IDENTIFICATION.



SPECIFICATIONS:

- 200" PIN SPACING
- NOMINAL CURRENT LOAD UP TO 6 AMPS
- HOUSING OF GREY POLYIMID, NYLON FIBRE GLASS REINFORCED
- MAXIMUM TEMPERATURE: +150°C
- LOW PROFILE
- PC MOUNTING PINS
- ACCEPTS SOLID OR STRANDED WIRE 14AWG TO 22AWG

DIMENSION 1

1 POSITION	.4
2 POSITION	.6
4 POSITION	.8
5 POSITION	1.0
6 POSITION	1.2
12 POSITION	2.4

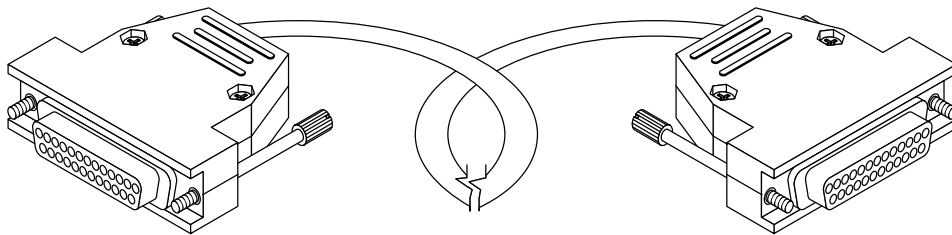
DIMENSION 1X INCHES

MOUSER STOCK NO.	POS
ME153-2002	2
ME153-2003	3
ME153-2004	4
ME153-2005	5
ME153-2006	6
ME153-2012	12

Your source for quality electronics. Toll-free full service

(800) 346-6873

<http://www.mouser.com>

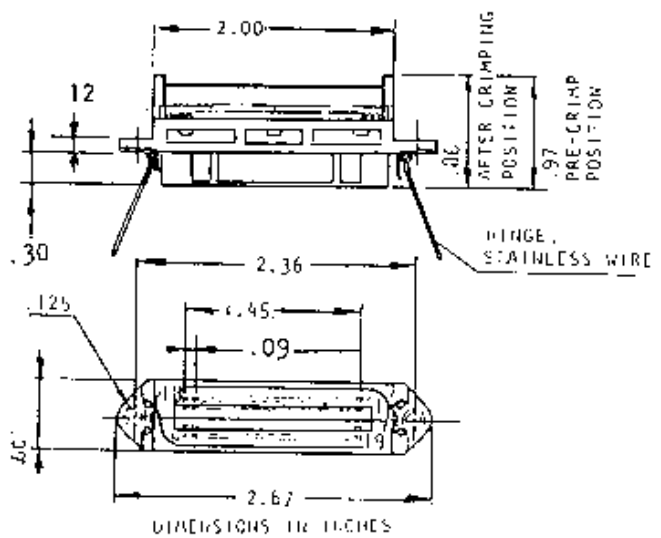
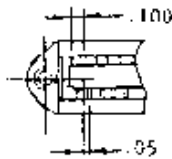
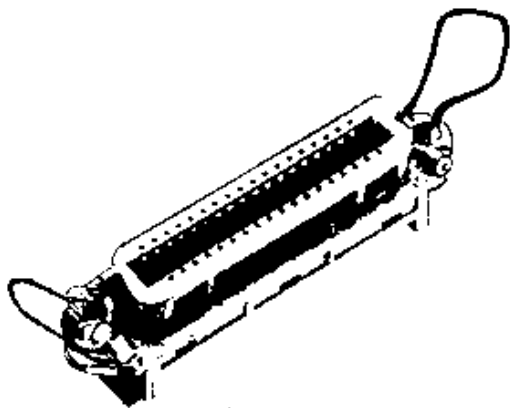
**Specifications:**

- Shell: zinc plated steel
- Pin contact material: brass
- Pin contact plating: gold plated nickel
- Insulator: PBT and glass-fiber reinforced UL94V-0
- Number of contacts: 25 (male to male)
- Current rating: 5 amp
- Dielectric strength: 100V for 1 minute
- Insulator resistance: 1000M Ω min. @ 500VDC
- Cable spec: 10 ft. with 26AWG aluminum, mylar shield and braid, non UL

Your source for quality electronics. Toll-free full service

(800) 346-6873

<http://www.mouser.com>

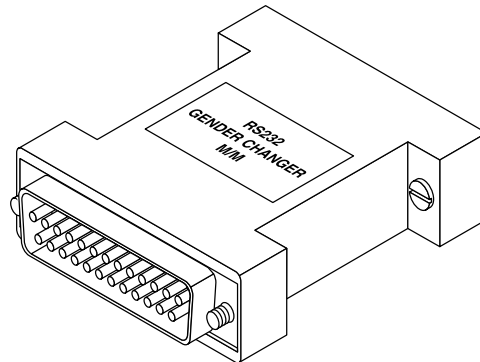


- PARALLEL INTERFACE TYPE
- INSULATION MATERIAL: GLASS REINFORCED THERMOPLASTIC 94V-0
- CONTACT MATERIAL: PHOSPHOR BRONZE
- CONTACT PLATING: GOLD OVER NICKEL
- CURRENT RATING: 1 AMP
- INSULATION RESISTANCE: 10,000 MEG OHMS @ 500 VDC
- TEMPERATURE RATING: -55°C TO +105°C

Your source for quality electronics. Toll-free full service

(800) 346-6873

<http://www.mouser.com>



The Mouser RS 232 surge suppressor is designed to protect your data communications lines from destructive, high-energy, high-speed transient voltages and noise. Units placed around a network offer protection to equipment by clamping voltages to safe EIA limits, reducing the risk of system failure or disrupted data transmission. The Mouser RS 232 surge suppressor should be installed directly on the output port of the host computer, multiplexor, network server, or the input ports of RS 232 serial devices. Units positioned at each end of a data line offer bi-directional protection to the line.

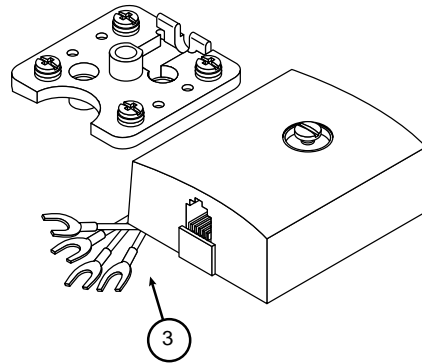
Specifications:

- Data lines protected: 2, 3, 7
- Maximum surge current: 250A (8 x 20 used duration)
- Varistor voltage: 16 - 20 VDC @ 1mA
- Maximum energy dissipation: 0.8 joules (2 used)

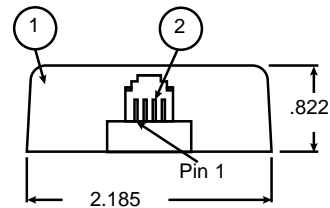
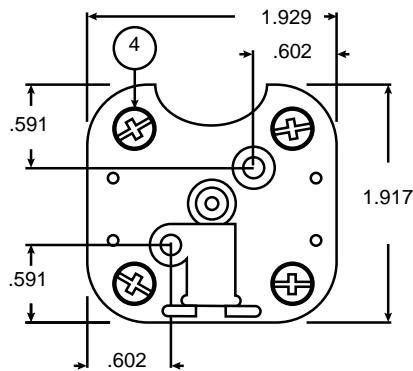
Your source for quality electronics. Toll-free full service

(800) 346-6873

<http://www.mouser.com>



Dimensions (In.)



1	Cover	ABS UL-94V-0
2	Contact material	Phosphor bronze alloy, 6 μ inch gold plated over 100 μ inch nickel plated
3	Lead wire	UL-1061, 26AWG
4	Terminal	Y-type, C μ
5	Screw	Self-tapping, nickel plated

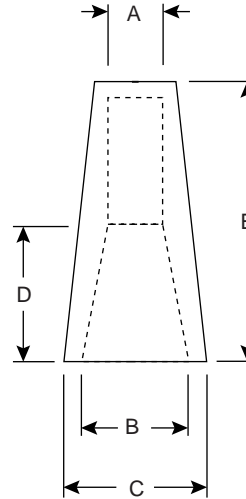
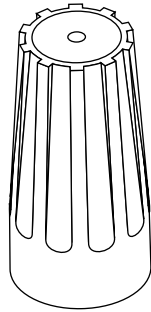
Specifications:

- Contact resistance: 50m Ω max.
- Insulation resistance: 100M Ω @ 500VDC
- Withstand voltage: 500VAC/ minute

Your source for quality electronics. Toll-free full service

(800) 346-6873

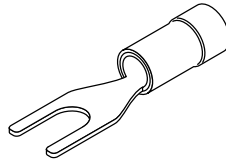
<http://www.mouser.com>



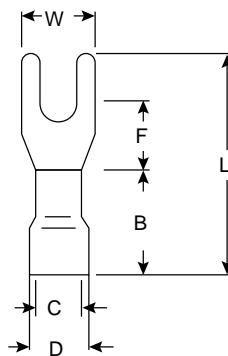
Specifications:

- Temperature rating: 105°C
- Cap body: PVC
- Retaining spring: steel wire

Mouser Stock No.	Color Coding	AWG Range	AWG Combination		Dielectric Strength	Dimensions (In.)				
			Minimum	Maximum		A	B	C	D	E
159-2214	Orange	22-14	3#22	3#16+#18	300V	.197	.354	.433	.236	.709
159-2216	Gray	22-16	1#20+1#22	2#16	300V	.157	.256	.335	.236	.591
159-1803	Yellow	18-12	1#14+1#18	2#14+3#16	600V	.236	.394	.472	.236	.807
159-1804	Red	18-10	1#12+2#18	3#10	600V	.276	.531	.610	.315	.984



Dimensions (In.)



Specifications:

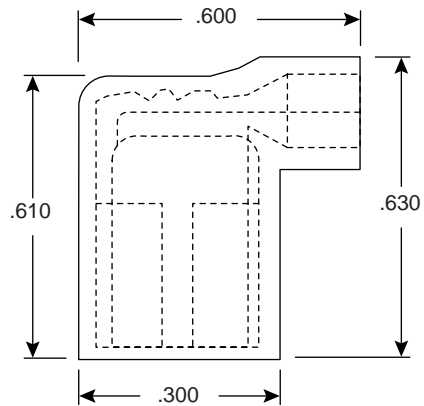
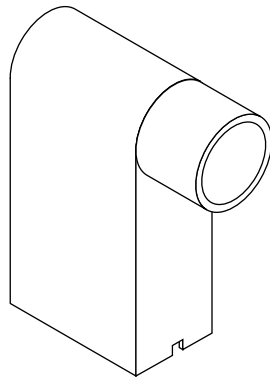
- Material thickness: .032 inch
- Material: copper
- Insulation: PVC

Mouser Stock No.	Wire Range (AWG)	Stud Size	Dimensions (In.)						Color
			W	L	F	B	D	C	
159-1207	12 - 10	8	.354	.941	.295	.492	.220	.134	Yellow
159-1208	12 - 10	10	.354	.941	.295	.492	.220	.134	Yellow
159-1620	16 - 14	10	.374	.835	.255	.394	.158	.091	Blue
159-1626	16 - 14	6	.236	.835	.255	.394	.158	.091	Blue
159-1628	16 - 14	8	.283	.835	.255	.394	.158	.091	Blue
159-2220	22 - 16	10	.374	.835	.255	.394	.134	.067	Red
159-2226	22 - 16	6	.252	.835	.255	.394	.134	.067	Red
159-2228	22 - 16	8	.283	.835	.255	.394	.134	.067	Red

Your source for quality electronics. Toll-free full service

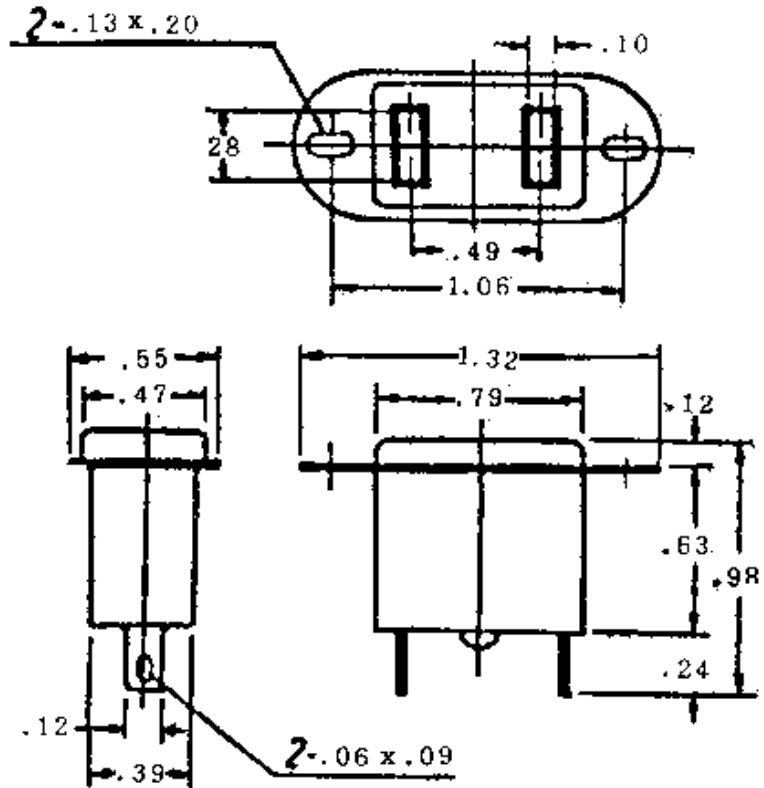
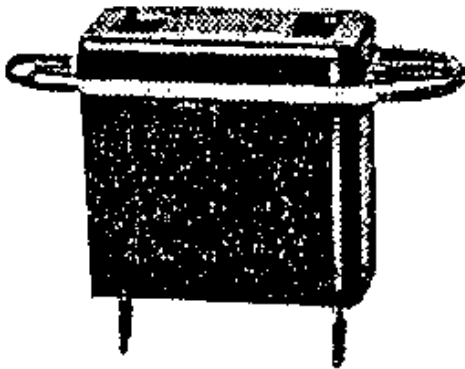
(800) 346-6873

<http://www.mouser.com>

**Dimensions (In.)****Specifications:**

- Type: insulated flag
- Nema tab: .032 x .250
- Terminal material: tin plated brass; .018" thick
- Insulation material: nylon
- Max. electrical rating: 300V @ 105°C
- Wire range: 22-16 AWG

Dimensions (In.)



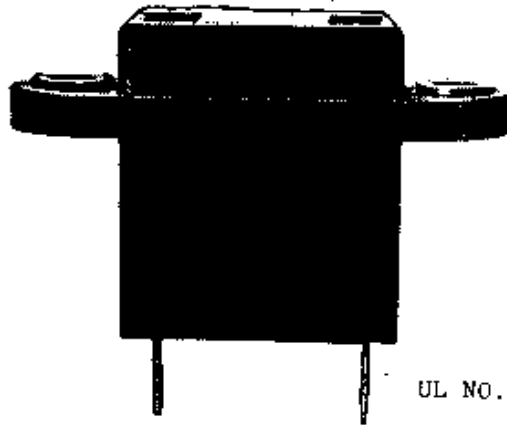
SPECIFICATIONS:

RATING..... 6 A @ 125V A.C.
 INSULATION RESISTANCE..... 100M ohm (min) @ 500V D.C.
 DIELECTRIC STRENGTH..... 1000V A.C. for 1 minute

Your source for quality electronics. Toll-free full service

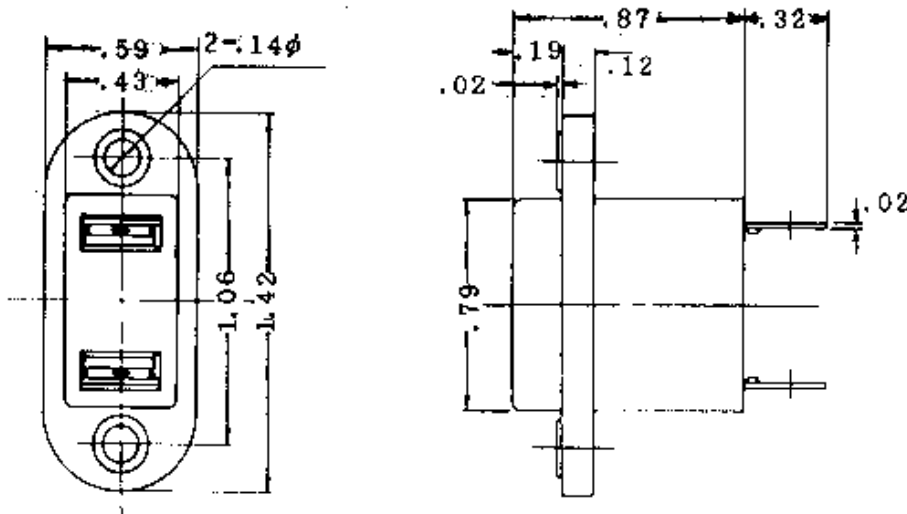
(800) 346-6873

<http://www.mouser.com>



UL NO. E48898 (S)

Dimensions (In.)

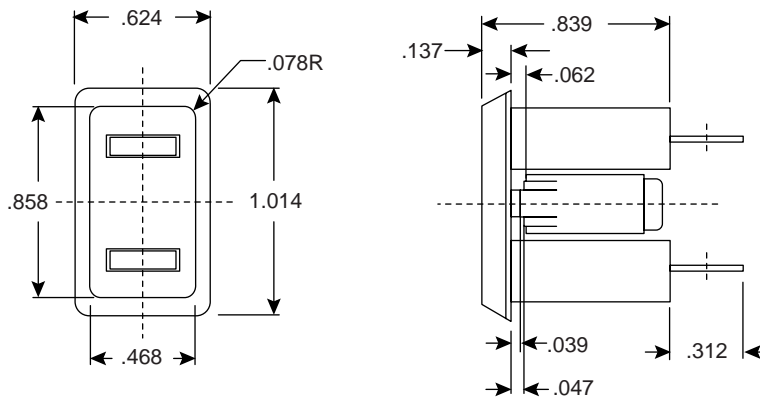
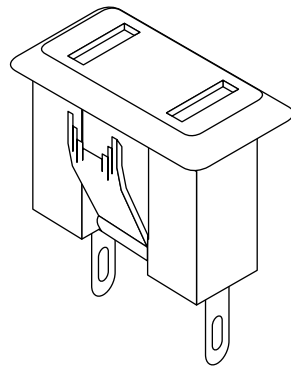


Rating : 15Amp. 125V AC.
 Contact Resistance : 30m Ohm or less at 1Amp. 2.5V DC.
 Insulation Resistance : 100M Ohm or more at 500V DC.
 Insulation withstand Voltage : One minute of 1000V AC.

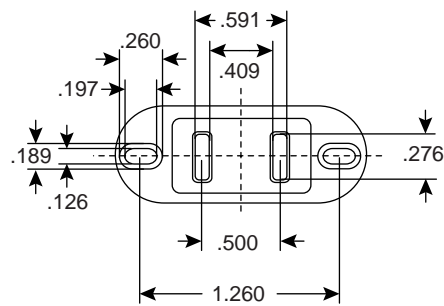
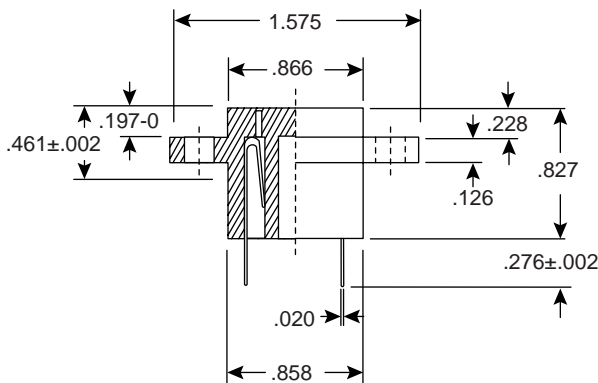
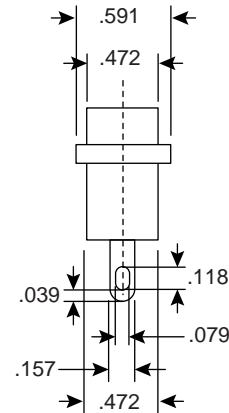
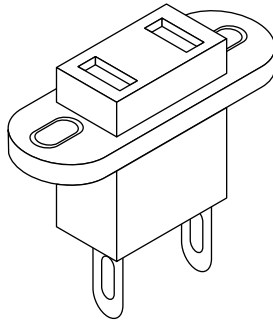
Your source for quality electronics. Toll-free full service

(800) 346-6873

<http://www.mouser.com>

**Dimensions (In.)****Specifications:**

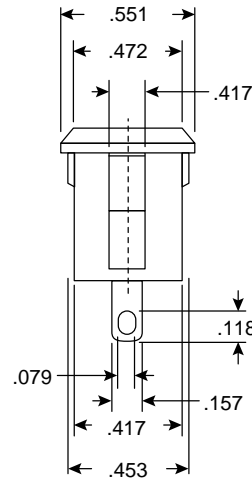
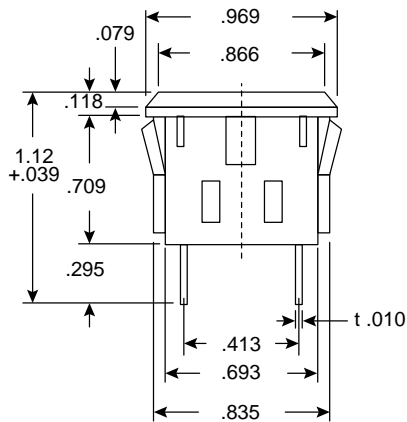
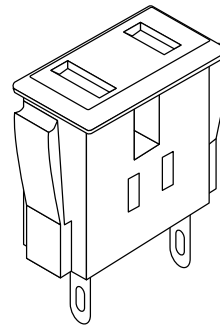
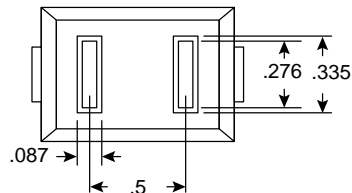
- Type: snap-in mount
- Rating: 15A 125VAC
- Contact resistance: $\leq 30\text{m}\Omega$ @ 1A 2.5VDC
- Insulation resistance: $\geq 100\text{M}\Omega$ @ 500VDC
- Insulation withstand voltage: 1000VAC for 1 minute



Dimensions (In.)

Specifications:

- Type: panel mount
- Rating: 125VAC 15A
- Insulation resistance: 500VDC 100MΩ
- Voltage breakdown: 1000VAC for 1 minute
- Retention of plug: 1kg ~ 6kg
- Mounting: 32mm/12.2mm X 22.2mm (1.26"/.480" X .874")



Dimensions (In.)

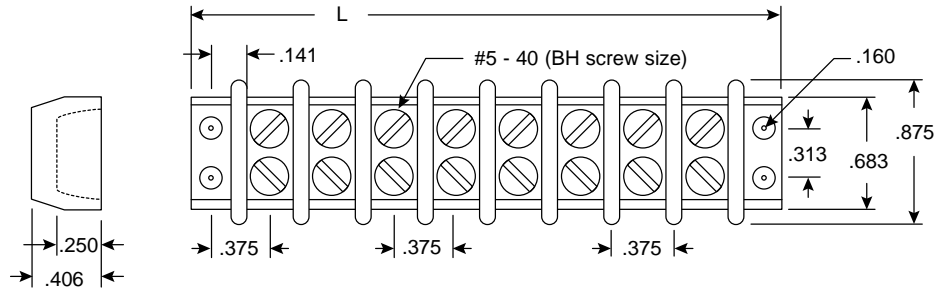
Specifications:

- Type: snap-in mount, polarized, 2 cond.
- Panel thickness: .031-.047
- Mounting hole: 21.8 (±0.05) x 11.6 (+0.1-0)
- Rating: 15A-125VAC
- Insulation resistance: 100MΩ 500VDC
- Voltage breakdown: 1500VAC for 1 minute
- Retention of plug: 1.36kg ~ 6kg
- Operating temperature: -10°C ~ +55°C

Your source for quality electronics. Toll-free full service

(800) 346-6873

<http://www.mouser.com>



Dimensions (In.)

Mouser Stock No.	No. of Terminals	L (In.)
15BB002	2	1.12
15BB004	4	1.88
15BB006	6	2.62
15BB008	8	3.38
15BB010	10	4.12

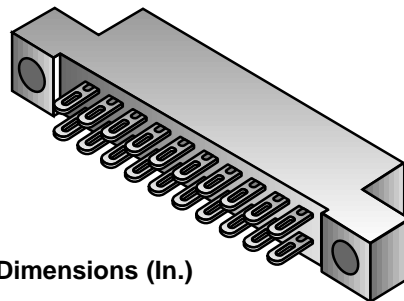
Specifications:

- Body: molded phenolic
- Eyelets: nickel plated brass
- Screws: nickel plated steel
- Rating: 10A
- Universal screw head fits slotted or phillips screwdriver
- These terminal blocks are direct replacements for TRW 140 series barrier blocks.

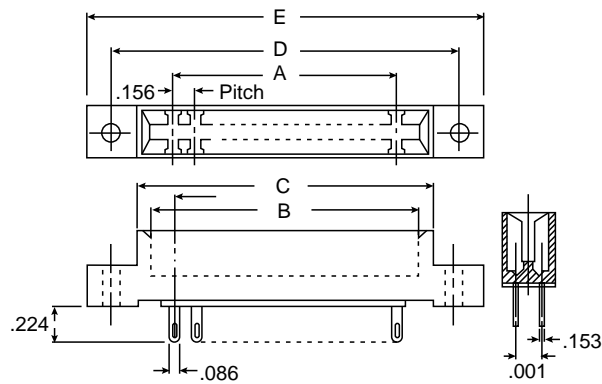
Your source for quality electronics. Toll-free full service.

(800) 346-6873

<http://www.mouser.com>



Dimensions (In.)

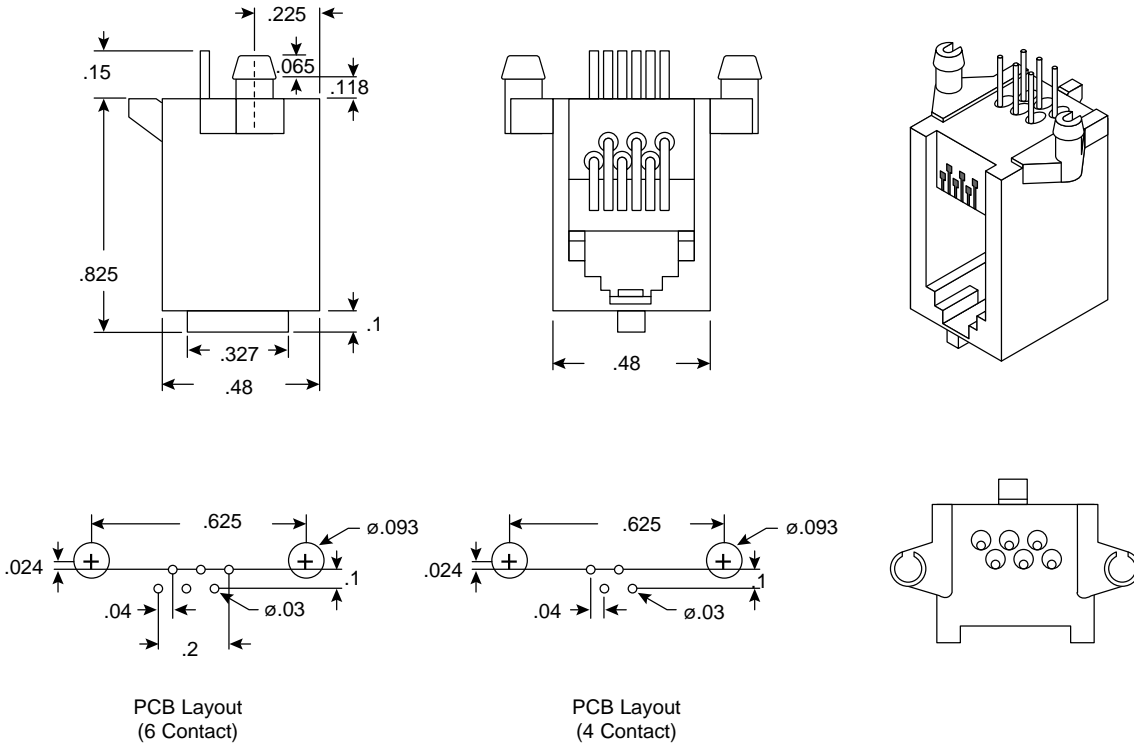


Material Specifications:

- Housing: UL94-O glass fiber reinforced polyester
- Contact: phosphet bronze
- Current rating: 3A (1600VAC)
- Contact resistance: Less than 10mΩ
- Insulation resistance: Over 100GΩ 500VDC / 1 min
- Operation temperature: -55°C to +120°C
- Operating relative humidity: 5 to 95% RH

Mouser Stock No.	Pin Configuration	Dimensions (In.)				
		A	B	C	D	E
15PC001	10 x 2	1.403	1.732	1.850	2.153	2.519
15PC002	15 x 2	2.182	2.511	2.629	2.933	3.291
15PC005	22 x 2	3.274	3.606	3.724	4.027	4.393

Your source for quality electronics. Toll-free full service
(800) 346-6873



Dimensions (In.)

Mouser Stock No.	USOC Type	Positions/ Contacts	Gold Plated Contacts
154-7623PCB	RJ12	6/6	3 micron
154-UL623-4PCB	RJ11	6/4	50 micron
154-UL623-6PCB	RJ12	6/6	50 micron

Specifications:

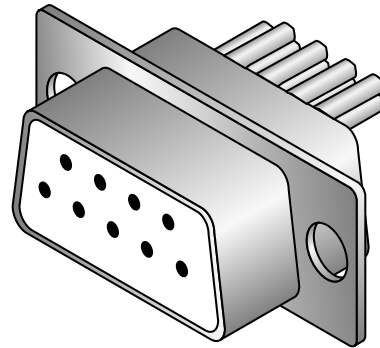
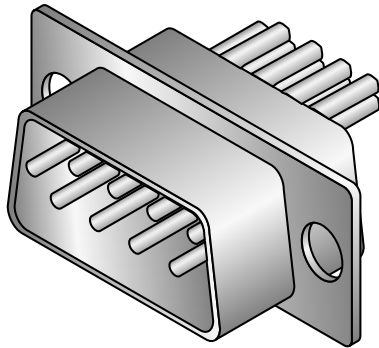
- Type: PC mount
- Western electric type: 623PCB; for telephone to wall use
- Insulation resistance: 10MΩ
- Contact resistance: 20mΩ
- Dielectric withstanding voltage: 1000VAC RMS 60Hz
- Contact: $\varnothing 0.018$ " , phosphor bronze alloy
- Current rating: 1.5A
- Voltage rating: 150V max.
- Breakdown voltage: 500VAC for 1 minute
- Insertion force: 500g~750g
- Retention strength: 7.7kgs (jack~plug)
- Color: gray
- Glass filled nylon

Meets the requirements of FCC 47 C.F.R. part 68 subpart F in regards to metallic platings and dimensional tolerances.

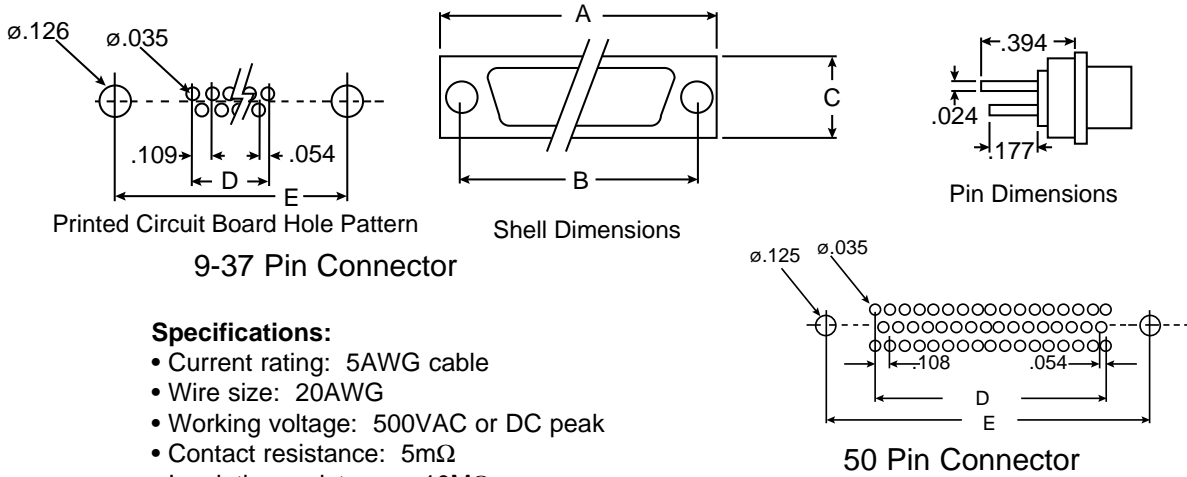
Your source for quality electronics. Toll-free full service.

(800) 346-6873

<http://www.mouser.com>



Dimensions (In.)

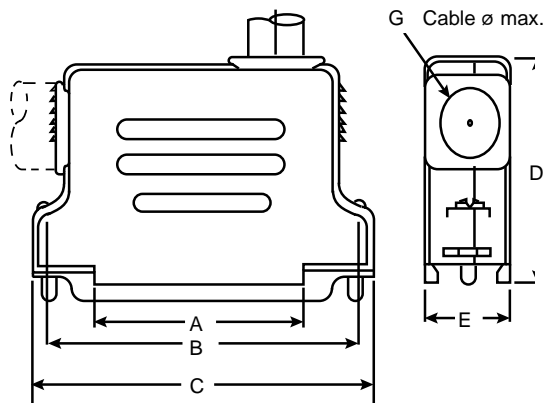
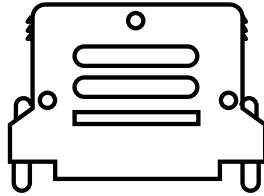


Specifications:

- Current rating: 5AWG cable
- Wire size: 20AWG
- Working voltage: 500VAC or DC peak
- Contact resistance: 5mΩ
- Insulation resistance: 10MΩ
- Temperature range: -55°C to 125°C
- Materials:
 1. Shell: Steel with 3-5 u" Zinc plating over yellow chromate
 2. Insulators: Polyester 30% glass filled gray UL94V-0
 3. Contacts: Copper alloy, gold plated over nickel

Mouser Stock No.	Type	# Contacts	A	B	C	D	E
152-5209	Plug	9	1.213	.984	.488	.431	.984
152-5309	Recept	9	1.213	.984	.488	.431	.984
152-5215	Plug	15	1.543	1.311	.488	.755	1.311
152-5315	Recept	15	1.543	1.311	.488	.755	1.311
152-5225	Plug	25	2.091	1.850	.488	1.304	1.852
152-5325	Recept	25	2.091	1.850	.488	1.304	1.852
152-5237	Plug	37	2.736	2.500	.488	1.956	2.500
152-5337	Recept	37	2.736	2.500	.488	1.956	2.500
152-5250	Plug	50	2.638	2.406	.606	1.739	2.406
152-5350	Recept	50	2.638	2.406	.606	1.739	2.406

Your source for quality electronics. Toll-free full service
(800) 346-6873



Tolerance = $\pm .008$

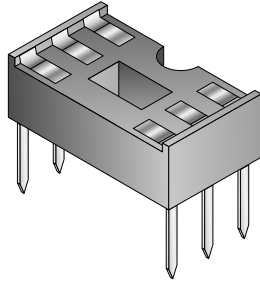
Part No.	No. of Cont.	Dimensions in inches					
		A	B	C	D	E	G
152-4009	9	.398	.984	1.228	1.378	.630	.315
152-4015	15	.630	1.311	1.579	1.599	.630	.315
152-4025	25	1.098	1.850	2.100	1.811	.630	.444
152-4037	37	1.748	2.500	2.744	1.811	.724	.444
152-4050	50	1.654	2.406	2.650	1.811	.728	.543

Material Specifications:

- Housing material: ABS shell with galvanized, nickel finish
- Straight or 90° cable outlet capabilities

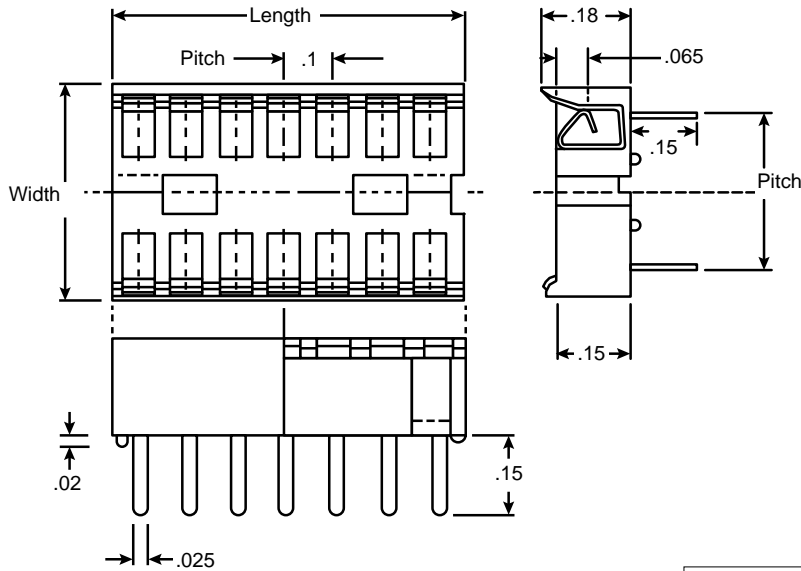
Your source for quality electronics. Toll-free full service

(800) 346-6873

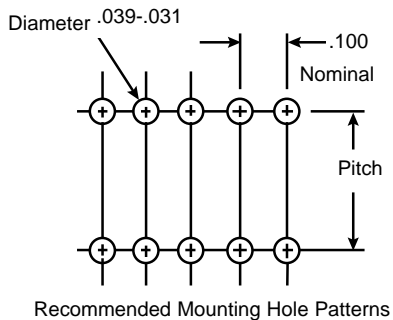


Specifications:

- Contact plating: tin, 5-7 microns
- Current rating: 1.0 amps
- Contact material: phosphor bronze
- Molding material: glass-reinforced polyester
- Insertion force: 120 to 130 grams
- Flammability rating: UL94V-0
- Operating temperature: -65°C to +150°C
- Insulation resistance: 100GΩ a@ 500VDC



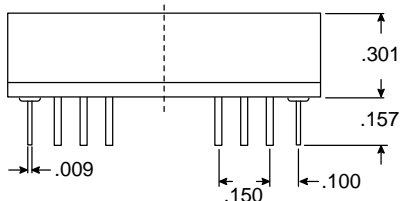
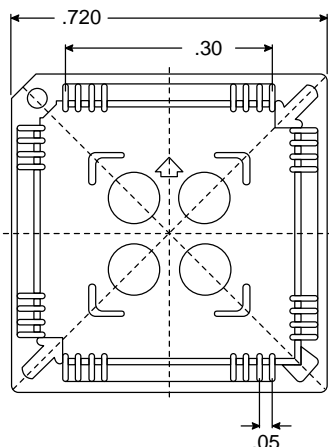
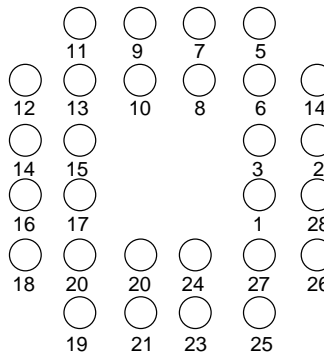
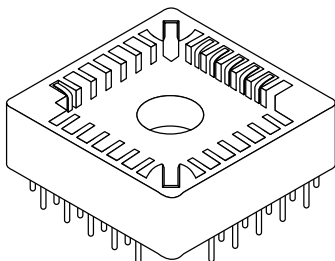
Dimensions (In.)



Number of Contacts	Mouser Stock No.	Dimensions (In.)		
		Length	Width	Pitch
6	151-9006	.295	.400	.300
8	151-9008	.395	.400	.300
14	151-9014	.695	.400	.300
16	151-9016	.795	.400	.300
18	151-9018	.895	.400	.300
20	151-9020	.995	.400	.300
22	151-9022	1.095	.500	.400
24	151-9024	1.195	.700	.600
28	151-9028	1.395	.700	.600
32	151-9032	1.595	.700	.600
40	151-9040	1.995	.700	.600
48	151-9048	2.400	.700	.600
64	151-9064	3.200	1.000	.900

Your source for quality electronics. Toll-free full service

(800) 346-6873



Dimensions (In.)

Specifications:

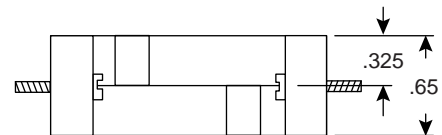
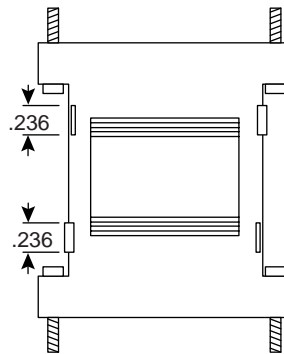
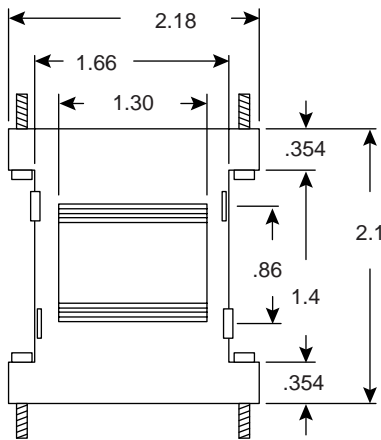
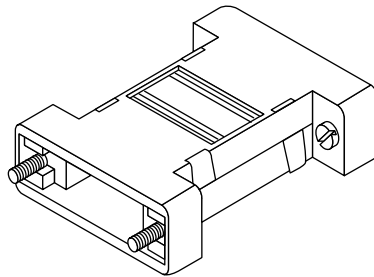
- Voltage rating: 100VAC RMS/150VDC
- Current rating: 1 amp
- Contact resistance: 30mΩ max
- Insulation resistance: 1000MΩ min at 100VDC
- Withstanding voltage: 600VAC RMS for 1 minute
- Operating temperature: -55°C to +125°C
- Applied (Wave soldering): +240°C (max 15 secs)
- Durability: 100cycles
- Vibration: 10,000 to 20,000Hz, 5Gs
- Insertion force: 170 gms per pin ±30gms
- Contact material: Phosphor bronze
- Insulator Material: 30% glass filled PBT
30% glass filled PPS
- Contact to contact capacitance: 1 picotared
- Contact plating: 3-5 microns tin over copper

Mouser Stock No.	No. of Contacts	Contact Plating	Mounting Type	No. of Pins
151-1028	28	Tin	Thru-hole	28
151-1029	28	Gold	Thru-hole	28

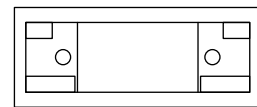
Your source for quality electronics. Toll-free full services

(800)346-6873

<http://www.mouser.com>



Side View

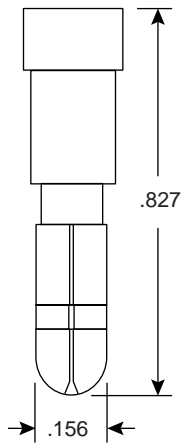
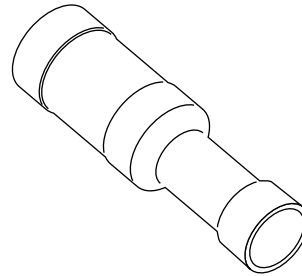
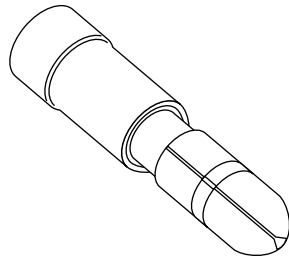


Front View

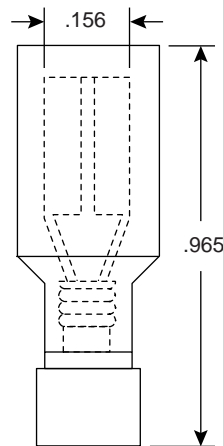
Dimensions (In.)

Specifications:

- Type: D-subminiature custom DB25/DB25 housing with screws
- Color: 157-4000 (black), 157-4003 (gray)
- Material: plastic
- Typical properties: PA-707
- Tensile strength: 520 (7370)
- Flexural modulus/strength: 15/2.5
- Rockwell hardness/strength: R-113/720
- Impact strength: 14, (2.6), 12, (2.2)
- Vicat softening temperature: 104
- HDT (annealed/unannealed): 95/85
- Specific gravity: 1.06
- Melt flow index: 1.6,8.3
- Flammability: 1/12H, file no. E55070



159-1615

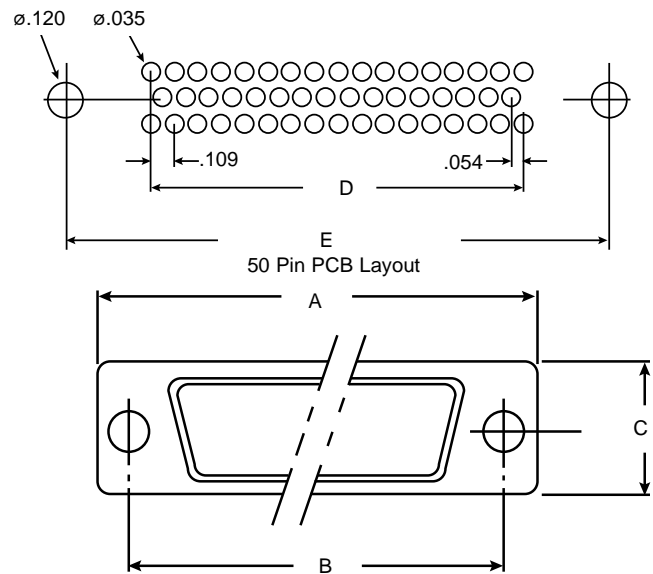
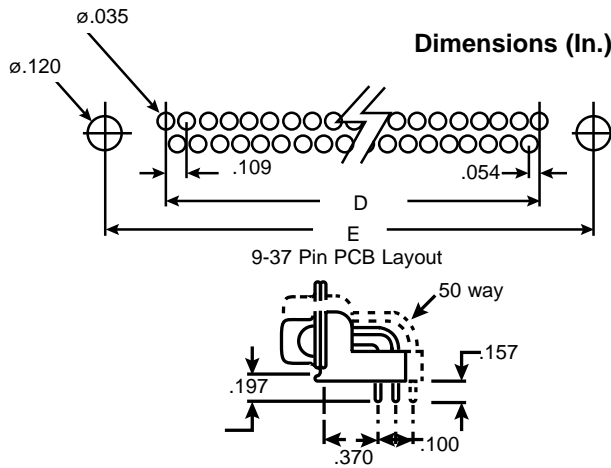
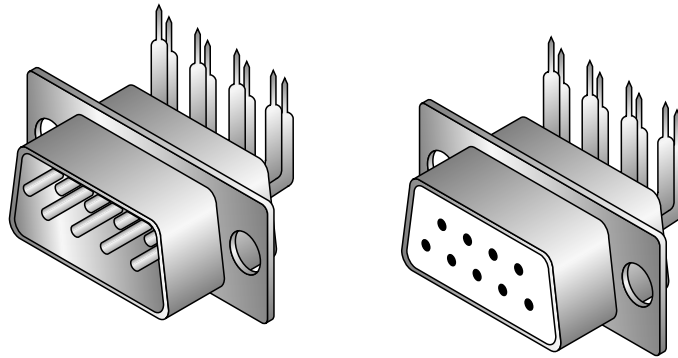


159-1612

Dimensions (In.)

Specifications:

- Type: bullet
- Wire range: 16-14 AWG
- Current rating: 15A max.
- Voltage rating: 300V max. @ 75°C
- Terminal material: brass .016" thick
- Insulation material: vinyl
- Insulation color: blue
- Temperature rating: 75°C



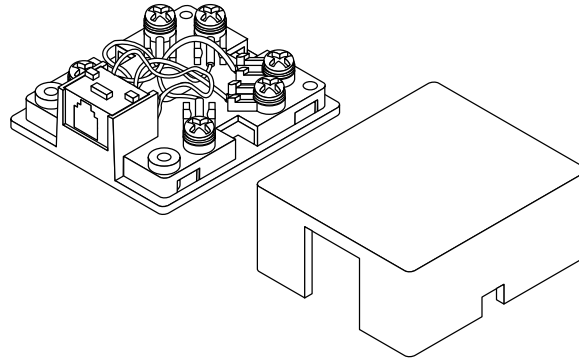
Specifications:

- Current rating: 5A
- Voltage rating: 500VAC or DC peak
- Temperature rating: -55°C to +125°C
- Contact resistance: 5mΩ
- Shell: 3~5u" zinc plating over yellow chromate
- Insulator: polyester 30% glass filled gray UL94V-0
- Contacts: copper alloy, gold plated over nickel
- Insulation resistance: 10MΩ
- Polarization: by trapezoidal shell

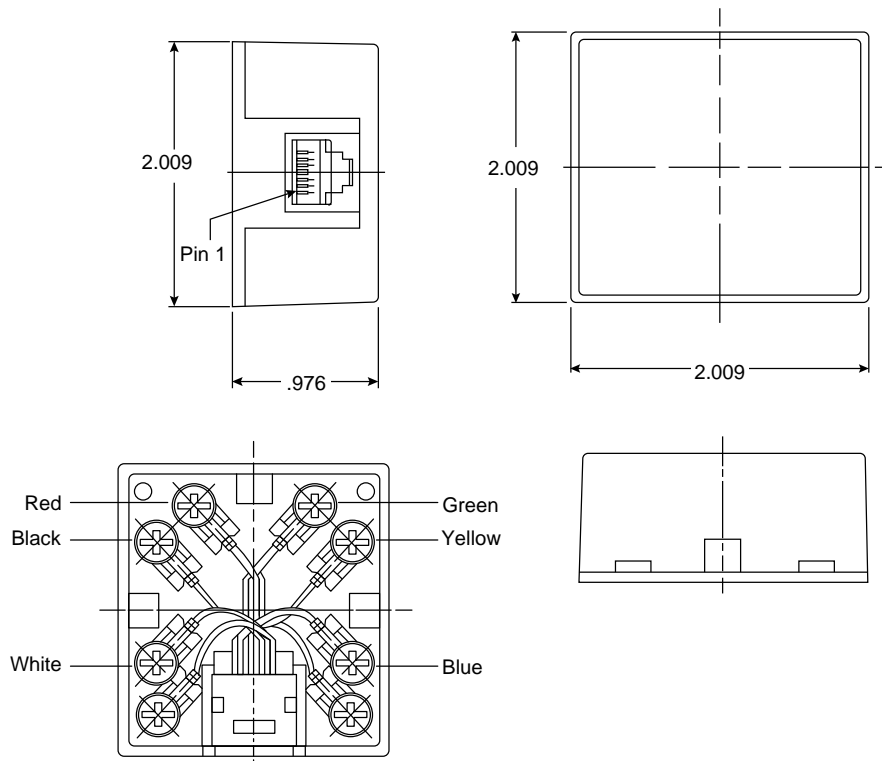
Mouser Stock No.	Type	# Contacts	A	B	C	D	E
152-5609	Plug	9	1.213	.984	.488	.431	.984
152-5709	Recept	9	1.213	.984	.488	.431	.984
152-5615	Plug	15	1.543	1.311	.488	.755	1.311
152-5715	Recept	15	1.543	1.311	.488	.755	1.311
152-5625	Plug	25	2.091	1.850	.488	1.304	1.852
152-5725	Recept	25	2.091	1.850	.488	1.304	1.852
152-5637	Plug	37	2.736	2.500	.488	1.956	2.500
152-5737	Recept	37	2.736	2.500	.488	1.956	2.500
152-5650	Plug	50	2.638	2.406	.606	1.739	2.406
152-5750	Recept	50	2.638	2.406	.606	1.739	2.406

Your source for quality electronics. Toll-free full service

(800) 346-6873



Dimensions (In.)

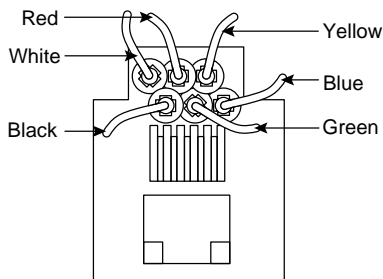
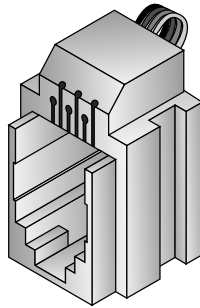


Item	Description	Qty	Material	Treatment
1	Cover	1	ABS UL94V-0	
2	Gold wire	6	Phospor bronze alloy	6" gold plated over 100" nickel plated
3	Lead wire	6	UL-1061 26AWG	0.16mm / 7 strand
4	Y-terminal	6	Y-type	Cu
5	Screw	6	Self-tapping screw	Nickel plate
6	Screw	1	Self-tapping screw	Nickel plate

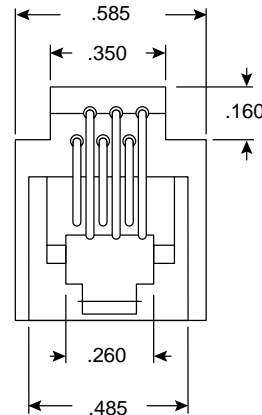
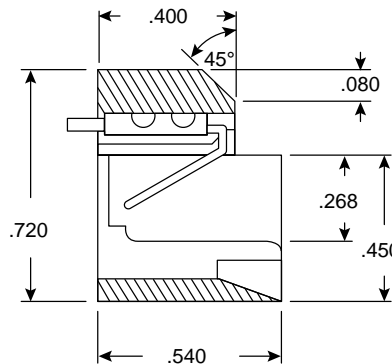
Your source for quality electronics. Toll-free full services

(800)346-6873

<http://www.mouser.com>



Dimensions (In.)



Material Specifications:

- Housing material: High impact ABS plastic
- Contact material: 0.018" diameter phosphor bronze alloy
- Plating: 24 karat hard gold (50 micron inch plating thickness) over 100 micron inch nickel
- Leads: 4" PVC insulated

Electrical Specifications:

- Insulation resistance: $\geq 10 \text{ M}\Omega$
- Dielectric withstanding voltage: 1000 volts rms, 60 Hz
- Contact resistance: $\leq 20 \text{ m}\Omega$
- Current rating: 1 1/2 amps

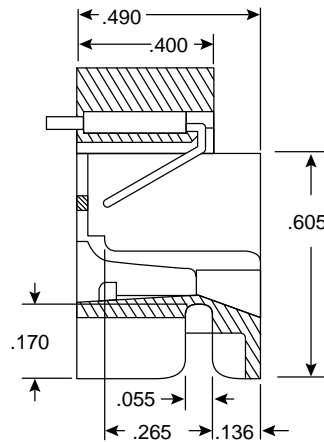
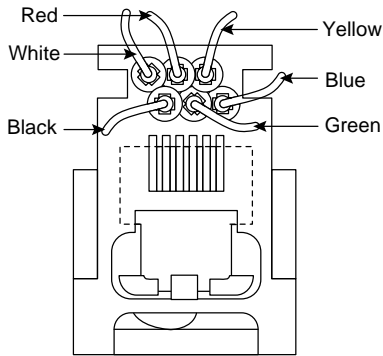
Mechanical Specifications:

- Total mating force: 500 grams for a 4 wire leads, 750 grams for a 6 wire leads
- Retention: 17 lbs. between the jack and plug
- Crimp tensile strength: 4.0-5.0 lbs.

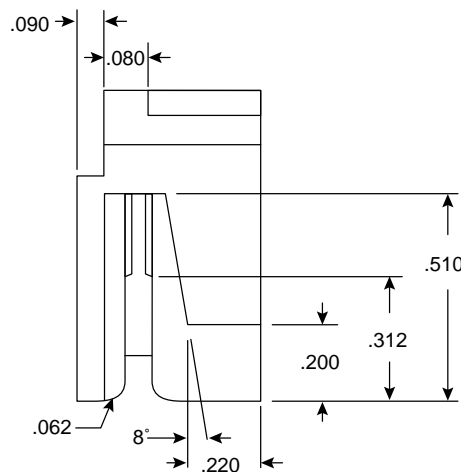
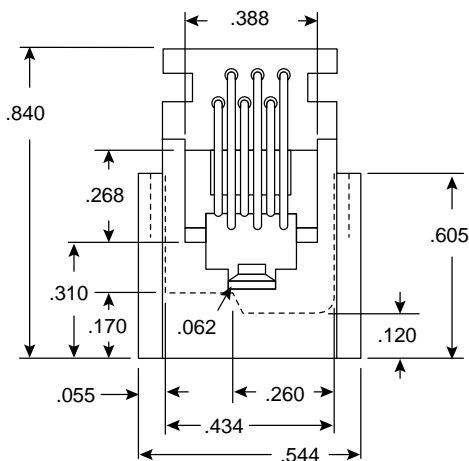
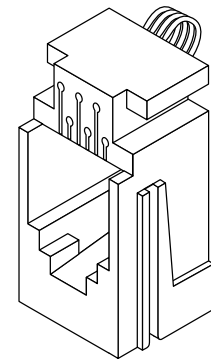
Your source for quality electronics. Toll-free full services

(800)346-6873

<http://www.mouser.com>



Dimensions (In.)



Material Specifications:

- Housing material: High impact ABS plastic
- Contact material: 0.018" diameter phosphor bronze alloy
- Plating: 24 karat hard gold (50 micron inch plating thickness) over 100 micron inch nickel
- Leads: 4" PVC insulated

Electrical Specifications:

- Insulation resistance: $\geq 10 \text{ M}\Omega$
- Dielectric withstanding voltage: 1000 volts rms, 60 Hz
- Contact resistance: $\leq 20 \text{ m}\Omega$
- Current rating: 1 1/2 amps

Mechanical Specifications:

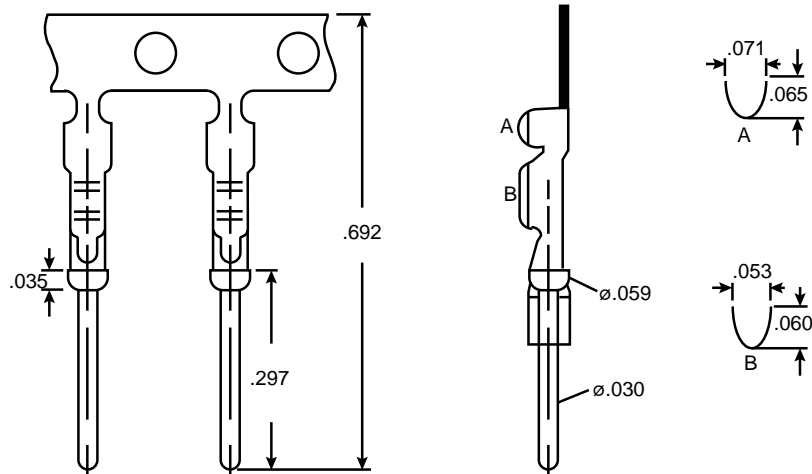
- Total mating force: 500 grams for a 4 wire leads, 750 grams for a 6 wire leads, 900 grams for an 8 wire leads
- Retention: 17 lbs. between the jack and plug
- Crimp tensile strength: 4.0-5.0 lbs.

Your source for quality electronics. Toll-free full services

(800)346-6873

<http://www.mouser.com>

Dimensions (In.)

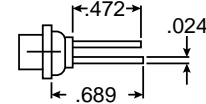
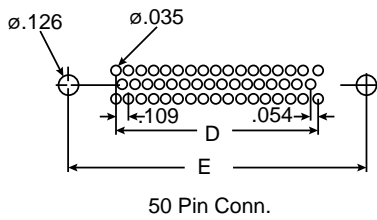
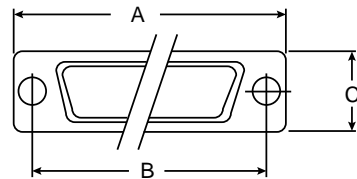
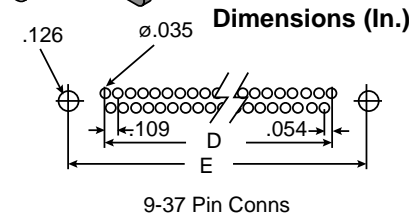
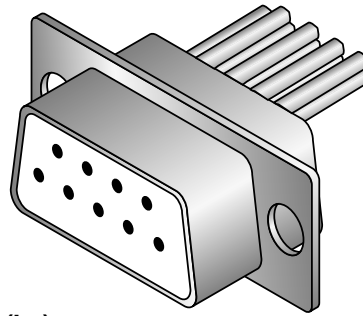
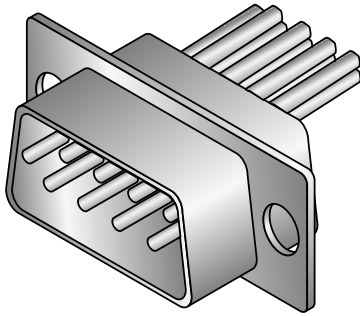
**Specifications:**

- Current rating: 5.0 amp
- Voltage rating: 300V @ 50Hz
- Temperature rating: -55°C to +105°C
- Material: phosphor bronze, gold plated

Your source for quality electronics. Toll-free full service

(800) 346-6873

<http://www.mouser.com>

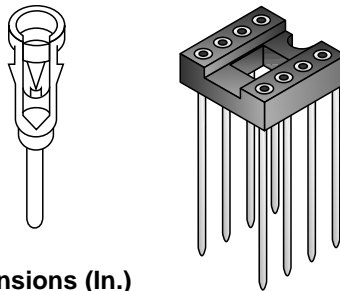


Specifications:

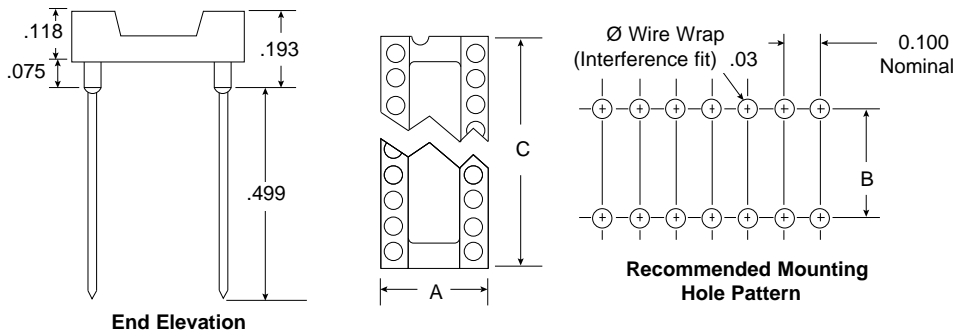
- Current rating: 5A
- Working voltage: 500VAC or DC peak
- Contact resistance: 5mΩ
- Insulation resistance: 10MΩ
- Temperature range: -55°C to 125°C
- Polarisation: By trapezoidal shell
- Coupling: By friction
- Shell: Steel 3-5u" zinc plating over yellow chromate
- Insulator: Polyester 30% glass filled gray UL94V-0
- Contacts: Copper alloy, gold plated over nickel
- Wire size: 20AWG

Mouser Stock No.	Type	# Contacts	A	B	C	D	E
152-5409	Plug	9	1.213	.984	.488	.431	.984
152-5509	Recept	9	1.213	.984	.488	.431	.984
152-5415	Plug	15	1.543	1.311	.488	.755	1.311
152-5515	Recept	15	1.543	1.311	.488	.755	1.311
152-5425	Plug	25	2.091	1.850	.488	1.304	1.852
152-5525	Recept	25	2.091	1.850	.488	1.304	1.852
152-5437	Plug	37	2.736	2.500	.488	1.956	2.500
152-5537	Recept	37	2.736	2.500	.488	1.956	2.500
152-5450	Plug	50	2.638	2.406	.606	1.739	2.406
152-5550	Recept	50	2.638	2.406	.606	1.739	2.406

Your source for quality electronics. Toll-free full service
(800) 346-6873



Dimensions (In.)



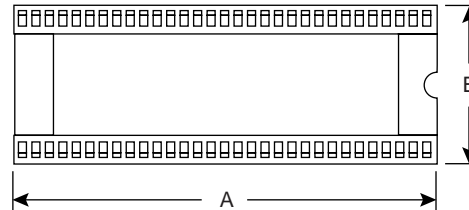
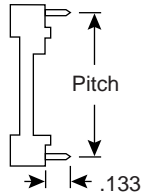
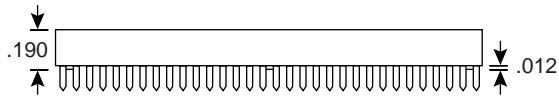
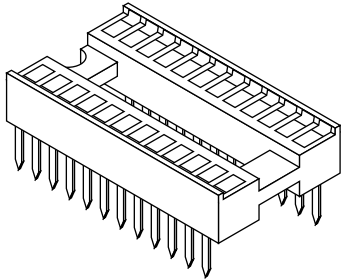
Specifications:

- Current rating: 5A
- Contact material: brass outer sleeve, beryllium copper inner contact
- Molding material: glass-reinforced polyester
- Inner contact plating: gold

Mouser Stock No.	No. of Contacts	Outer Contact Plating	A	B	C
151-308WGG	8	Gold	.400	.300	.400
151-308WGT	8	Tin	.400	.300	.400
151-314WGG	14	Gold	.400	.300	.700
151-314WGT	14	Tin	.400	.300	.700
151-316WGG	16	Gold	.400	.300	.800
151-316WGT	16	Tin	.400	.300	.800
151-318WGG	18	Gold	.400	.300	.900
151-318WGT	18	Tin	.400	.300	.900
151-320WGG	20	Gold	.400	.300	1.000
151-320WGT	20	Tin	.400	.300	1.000
151-422WGG	22	Gold	.500	.400	1.000
151-422WGT	22	Tin	.500	.400	1.000
151-624WGG	24	Gold	.700	.600	1.200
151-624WGT	24	Tin	.700	.600	1.200
151-628WGG	28	Gold	.700	.600	1.400
151-628WGT	28	Tin	.700	.600	1.400
151-640WGG	40	Gold	.700	.600	2.000
151-640WGT	40	Tin	.700	.600	2.000

Your source for quality electronics. Toll-free full service

(800) 346-6873

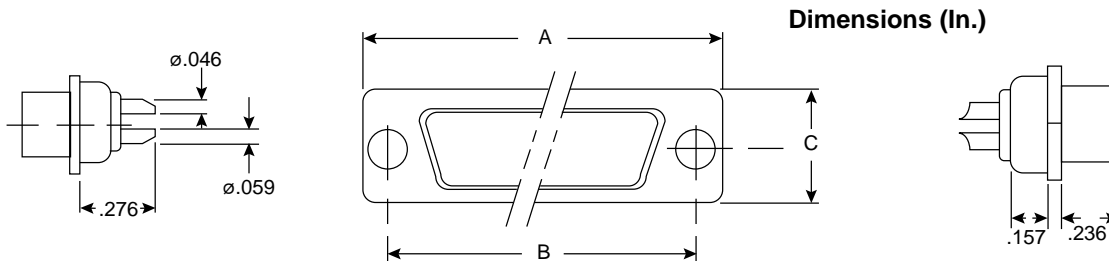
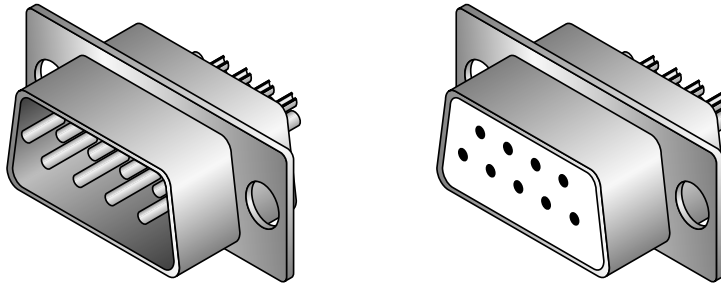


Dimensions (In.)

Specifications:

- Type: .07" pin spacing IC socket
- Insulator: PBT 30% Glass
- Contact: PhBr tin plated
- Contact resistance: 10mΩ
- Current rating: 1A
- Maximum pin size: .018"
- Temperature range: -65°C ~ +150°C

Mouser Stock No.	No. of Pins	Pitch	Dimensions (In.)	
			A	B
151-724-STT	24	.40	.840	.500
151-728-STT	28	.40	.980	.500
151-730-STT	30	.40	1.050	.500
151-740-STT	40	.60	1.400	.700
151-742-STT	42	.60	1.470	.700
151-764-STT	64	.75	2.240	.850



Specifications:

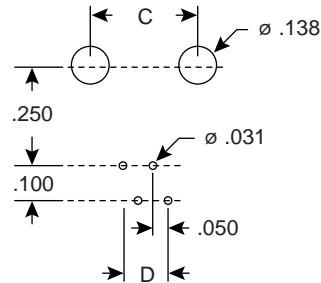
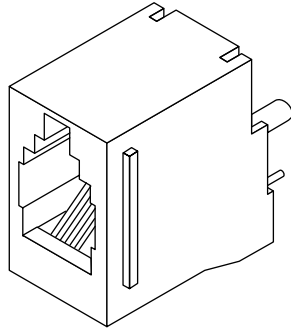
- Current Rating: 5A
- Working Voltage: 500VAC or DC peak
- Contact Resistance: < 5mΩ
- Insulation Resistance: 10MΩ min
- Temperature range: -55°C to +125°C
- Max wire size: 20AWG

Materials and Finishes:

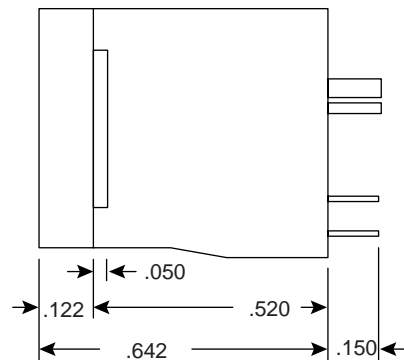
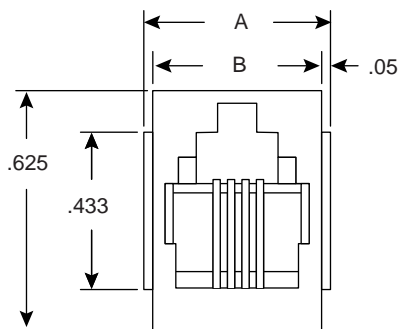
- Shell: steel with 3-5u" Zinc plating over yellow chromate
- Insulator: polyester, 30% glass filled gray UL94V-0
- Contacts: copper alloy, gold plated over nickel

Mouser Stock No.	Type	Contacts	A	B	C
152-5109	Receptacle				
152-5009	Plug	9	1.213	.984	.488
152-5115	Receptacle				
152-5015	Plug	15	1.543	1.311	.488
152-5125	Receptacle				
152-5025	Plug	25	2.091	1.850	.488
152-5137	Receptacle				
152-5037	Plug	37	2.736	2.500	.488
152-5150	Receptacle				
152-5050	Plug	50	2.638	2.406	.606

Your source for quality electronics. Toll-free full service
(800) 346-6873



Mounting Holes



Dimensions (In.)

Material Specifications:



E157358 (N)



- Type: modular jacks with PCB leads
- Housing material: 15% glass filled PBT UL94V0
- Current rating: 1.5A
- Dielectric withstand voltage: 1000VAC 60RMS @ Hz
- Standard color: black
- Contact resistance: 20mΩ max.
- Insulation resistance: 10mΩ min.

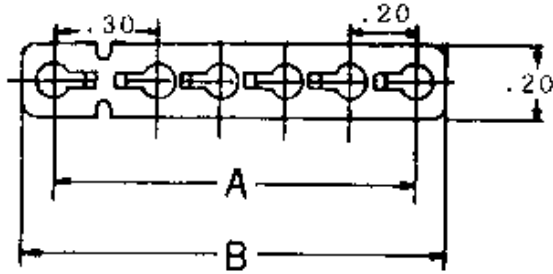
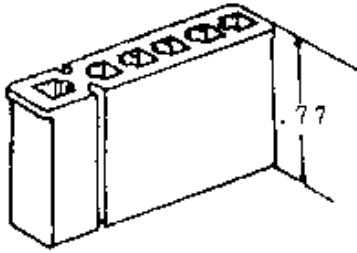
Mouser Stock No.	No. of Pos.	No. of Contacts	Dimensions (In.)				Insertion Force
			A	B	C	D	
154-UL6442	4	4	.550	.450	.300	.150	500g
154-UL6442	6	4	.628	.532	.400	.250	500g
154-UL6442	6	6	.628	.532	.400	.250	750g
154-UL6442	8	8	.713	.612	.350	.350	900g

MOUSER[®] ELECTRONICS

15NF Series
15NM Series

Nylon Connectors

MOUSER STOCK NO. 15NF, 15NM Series



Pole	Dimension (in.)	
	A ± .004	B ± .01
2	.30	.54
4	.69	.94
6	1.08	1.33

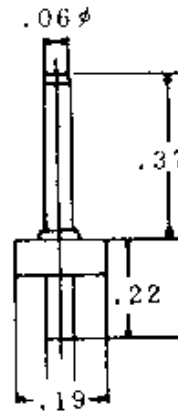
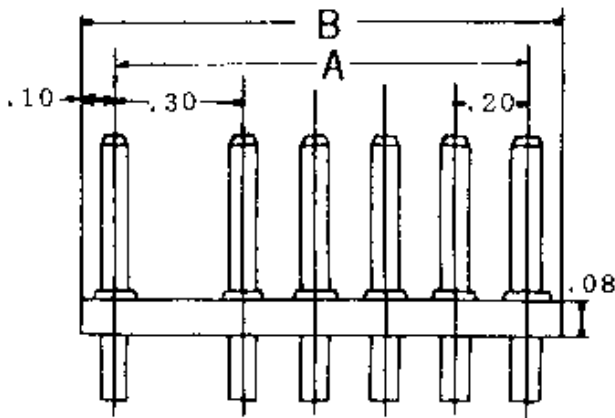
Material

Nylon 66
(UL94V-2)
Natural Color

ELECTRICAL CHARACTERISTICS

Rated Currents Max. 5A @ C
Temperature Range - 20°C to +80°C
Contact Resistance 5mΩ Max. at the beginning
Insulation Resistance 1000MΩ Min.
Withstand Voltage AC 1000V 1 Min.

Nylon Connectors



Material

Pin:
Brass, Tin-Plated
Base: Nylon
66 UL94V-0
Natural Color

8-041551

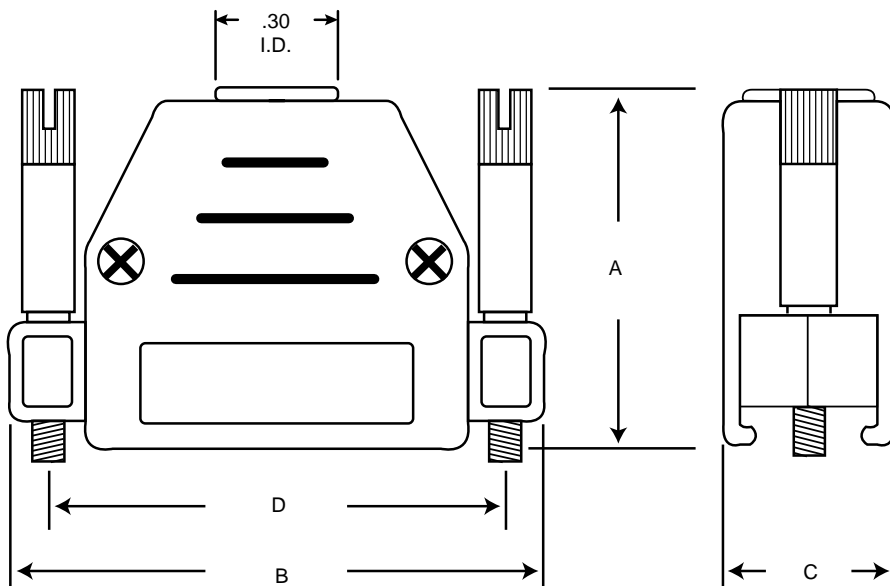
Pole	Dimension (in.)	
	A ± .004	B ± .01
2	.30	.49
4	.69	.89
6	1.08	1.28

Your source for quality electronics. Toll-free full service

(800) 346-6873

<http://www.mouser.com>

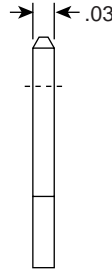
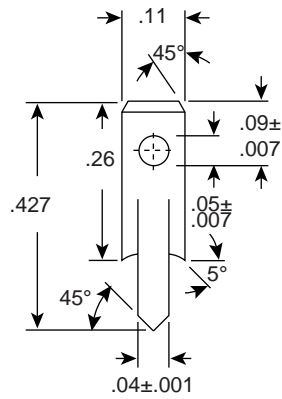
Dimensions (In.)



Flammability Rating: UL 94V-0

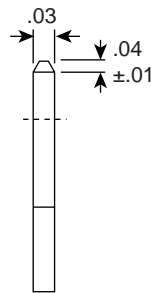
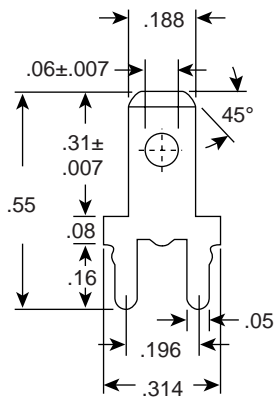
Mouser Stock No.	Shell Size	Outline Dimensions (In.)			
		A	B	C	D
152-1309	9	.91	1.22	.67	.98
152-1315	15	1.30	1.57	.67	1.31
152-1325	25	1.46	2.20	.67	1.85
152-1337	37	1.54	2.80	.67	2.50
152-1350	50	1.54	2.68	.75	2.41

Your source for quality electronics. Toll-free full service
(800) 346-6873

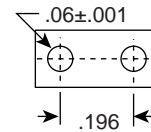


153-1006

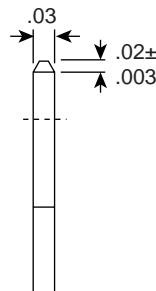
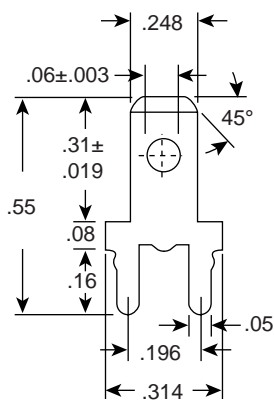
Dimensions (In.)



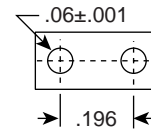
153-1007



Mounting Holes



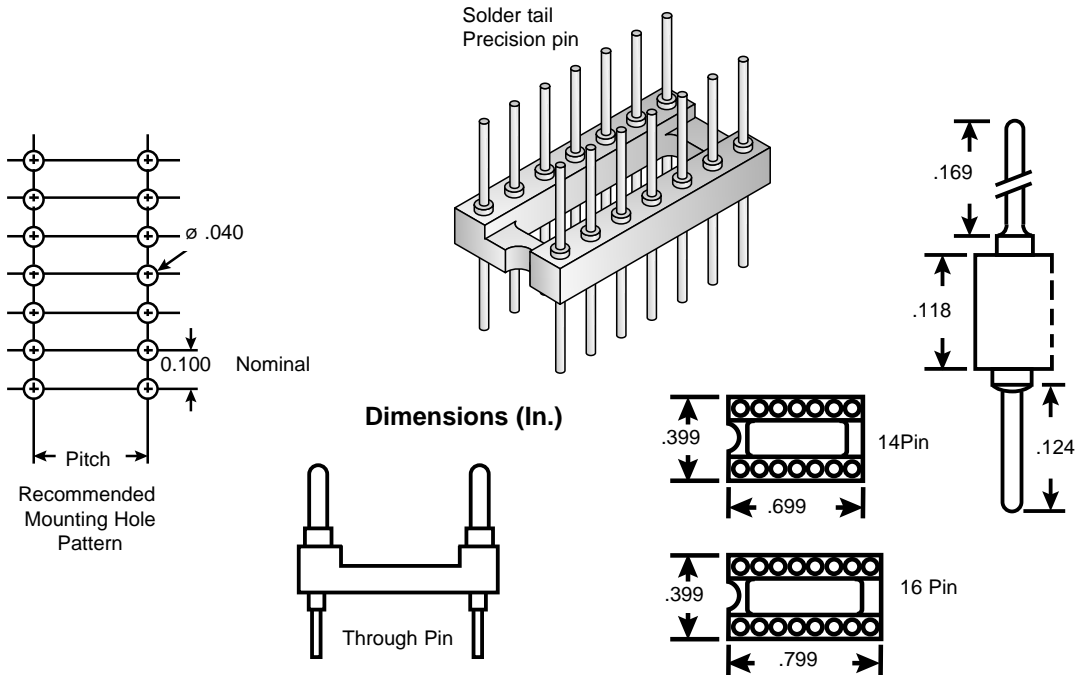
153-1008



Mounting Holes

Specifications:

- Type: male, PC mount

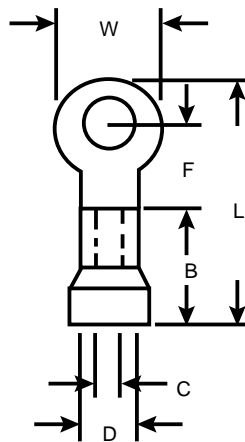


Specifications:

- Insulation resistance @ 500VDC: $10^{10}\Omega$ (contact to contact)
- Arc resistance: 145 secs @ 23°C
- Electrical strength: 121KV/cm @ 23°C
- @ 100Hz 23°C: 3.9 (48hrs 90% RH)
- @ 100Hz 121°C: 4.5
- @ 1MHz 23°C: 3.7 (48hrs 90% RH)
- @ 1MHz 121°C: 4.3
- @ 100Hz 23°C: 0.0077 (48hrs 30% RH)
- @ 100Hz 121°C: 0.0300
- @ 1MHz 23°C: 0.0150 (48hrs 30% RH)
- @ 1MHz 121°C: 0.0200
- Volume resistivity @ 25°C: $3 \times 10^{13}\Omega\text{-CM}$ (48hrs 90% RH)
- Volume resistivity @ 121°C: $10^{13}\Omega\text{-CM}$
- Operating temperature: -65°C to +150°C
- Flammability: UL94V-0
- Current rating: 3.0A
- Capacitance: 0.50pF contact to contact
- Housing: PBT < 30% glass filled polyester
- Contact material: brass

Mouser Stock No.	Pin
151-71314	14 Pin
151-71316	16 Pin

Your source for quality electronics. Toll-free full service
(800) 346-6873

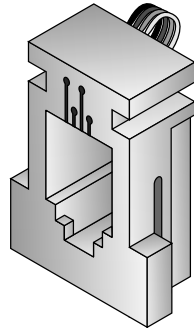


Specifications:

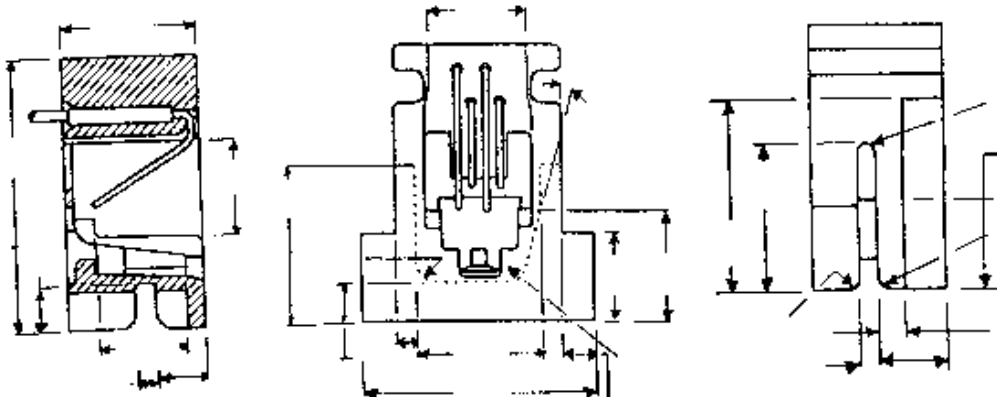
- Wire range: 22-16AWG
- Maximum current: 19A
- Maximum electrical rating: 75°C 600 volts max.
- Insulation color: red
- Terminal material: copper, thickness: .029 (0.75mm)
- Insulation material: vinyl

Mouser Stock No.	Dimensions (In.)							
	StudSize	W	L	F	B	D	C	
159-2201	1/4	.251	.457	1.083	.437	.394	.134	.067
159-2202	5/16	.330	.457	1.083	.437			
159-2204	4	.125	.224	.701	.194			
159-2206	6	.145	.224	.701	.194			
159-2208	8	.169	.314	.847	.275			
159-2210	10	.208	.314	.847	.275			

Your source for quality electronics. Toll-free full service
(800) 346-6873



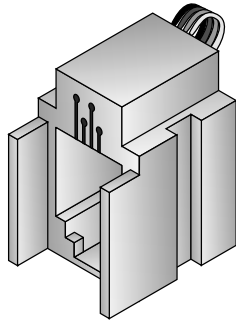
Dimensions (In.)



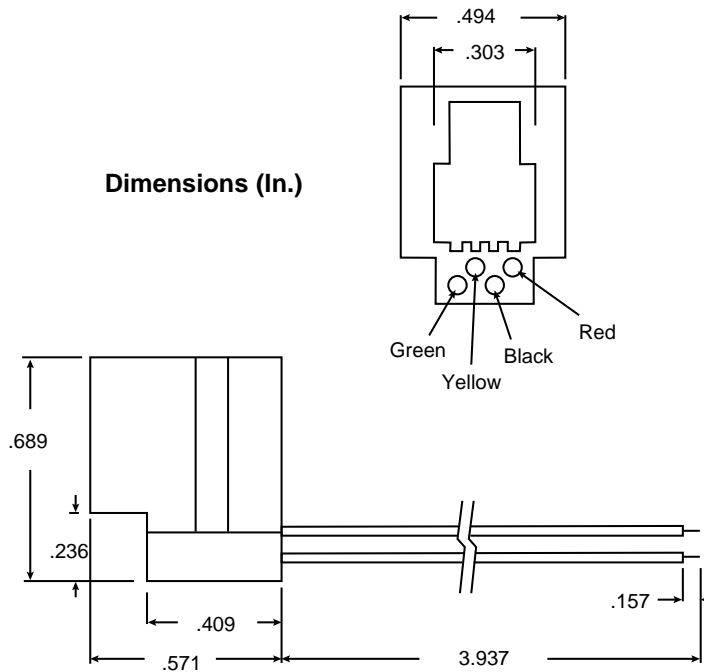
Features:

- Cylolac ABS plastic body
- Gold plated contacts
- 4" PVC insulated leads

Your source for quality electronics. Toll-free full service
(800) 346-6873



Dimensions (In.)

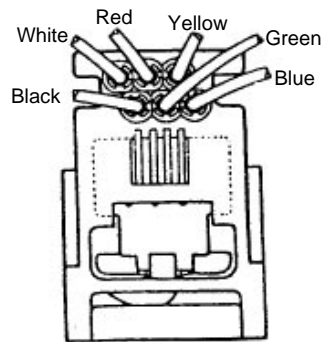
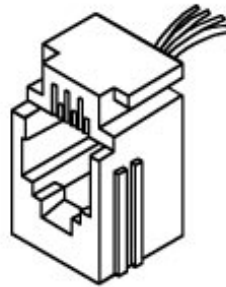


Specifications:

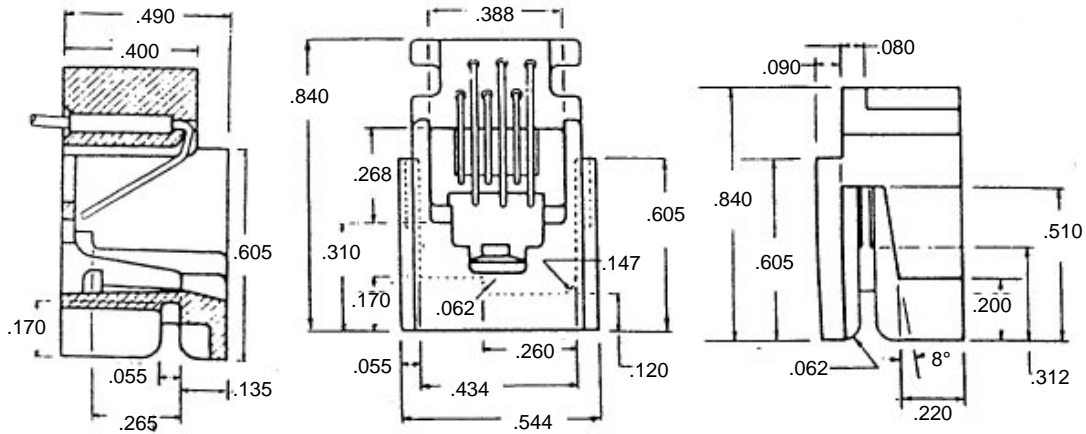
- Cycolac ABS plastic body
- Gold plated contacts
- 4" PVC insulated leads

Your source for quality electronics. Toll-free full service

(800) 346-6873



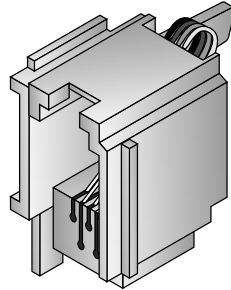
Dimensions (In.)



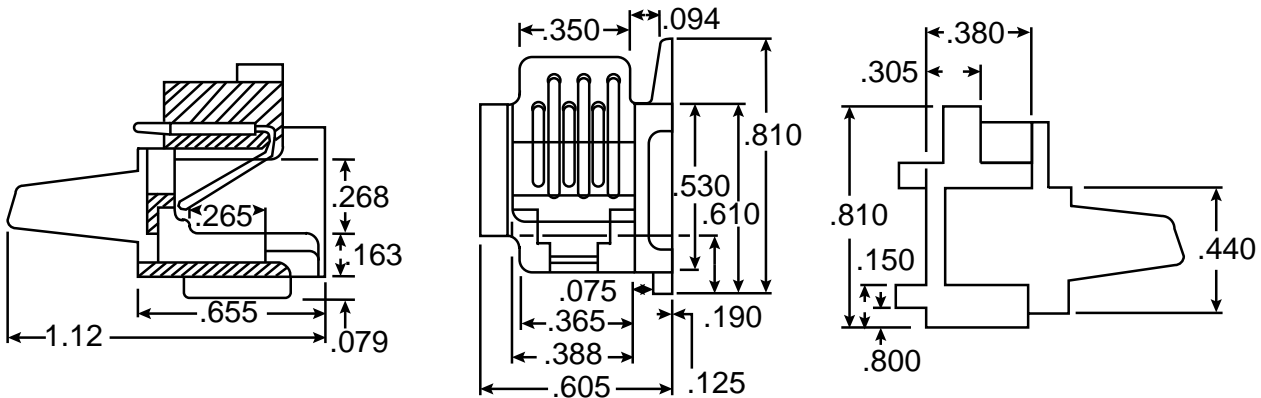
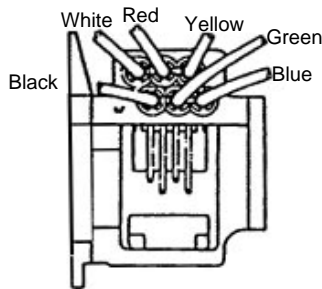
Features:

- Cyclic ABS plastic body
- Gold plated contacts
- 4" PVC insulated leads

Your source for quality electronics. Toll-free full service
(800) 346-6873



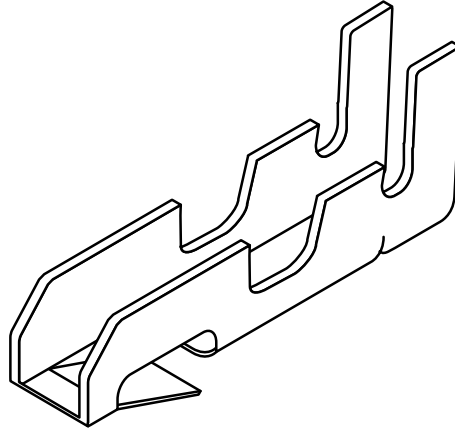
Dimensions (In.)



Features:

- Cyclic ABS plastic body
- Gold plated contacts
- 4" PVC insulated leads

Your source for quality electronics. Toll-free full service
(800) 346-6873

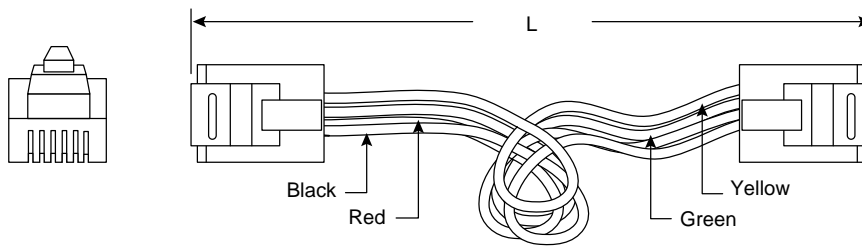
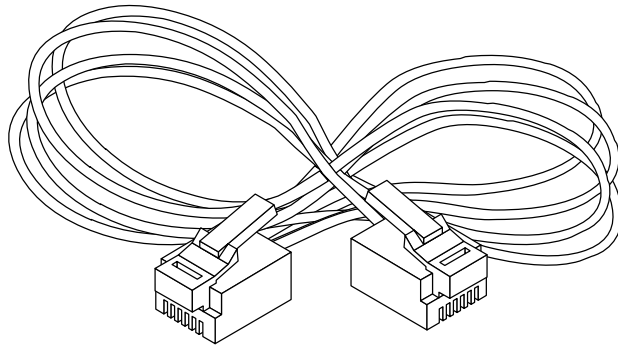
**Specifications:**

- Contact resistance: 5m Ω max.
- Current rating: 5 amp. max.
- Pin: tin-plated brass
- Length: 1.14 inches

Your source for quality electronics. Toll-free full services

(800)346-6873

<http://www.mouser.com>



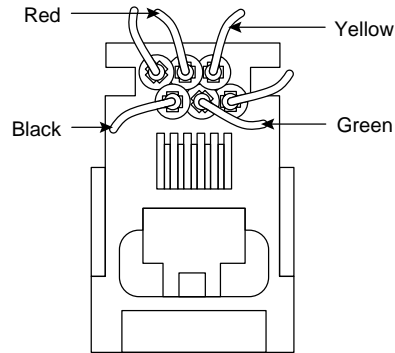
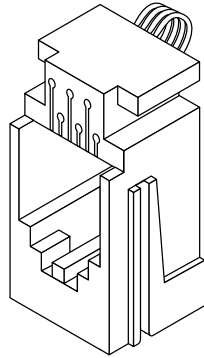
Specifications:

- Type: 6P/4C plug to 6P/4C plug
- Western electric type: 154-3001: D4BU-7
154-3002: D4BU-15
- Body: ABS & polycarbonate
- Contacts: 6 micro inch gold plated-phosphor bronze
- Jacket insulation: PVC
- Leads: 26AWG, 7 strand
- Cable length (L): 154-3001: 7 ft.
154-3002: 15 ft.
- Color: ivory

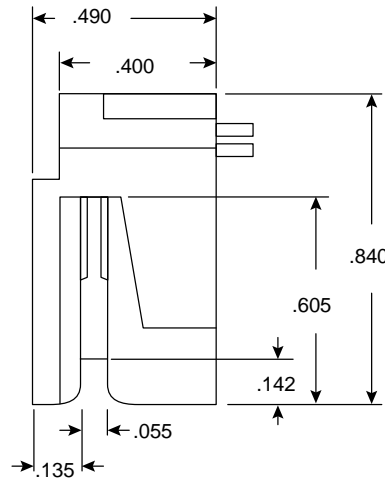
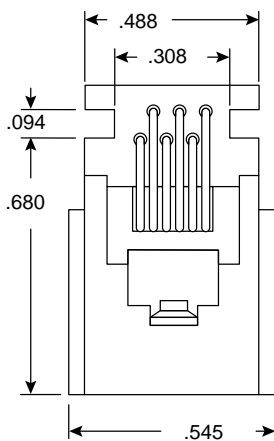
Your source for quality electronics. Toll-free full service.

(800) 346-6873

<http://www.mouser.com>



Dimensions (In.)



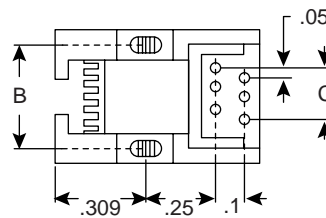
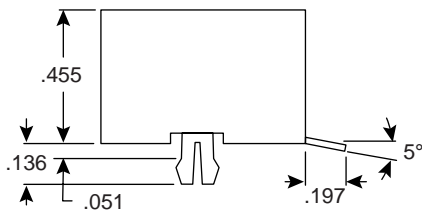
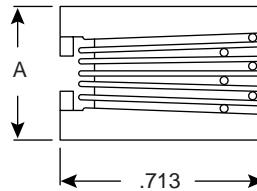
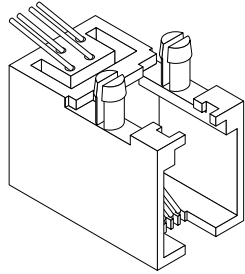
Specifications:

- Housing: ABS resin 94V-0 medium in color
- Contact: \varnothing 0.45mm (0.018), phosphor bronze alloy
- Wire: 26AWG, UL-1061 E41396
- Wire insulation: PVC
- Wire OD: 1.105mm
- Insulation resistance: 10M Ω min.
- Contact resistance: 20m Ω max.
- Dielectric withstanding voltage: 1,000VRMS 60Hz
- Retention strength: 7.7kgs between jack & plug
- Crimp tensile strength: 2.27kgs

Your source for quality electronics. Toll-free full services.

(800) 346-6873

<http://www.mouser.com>



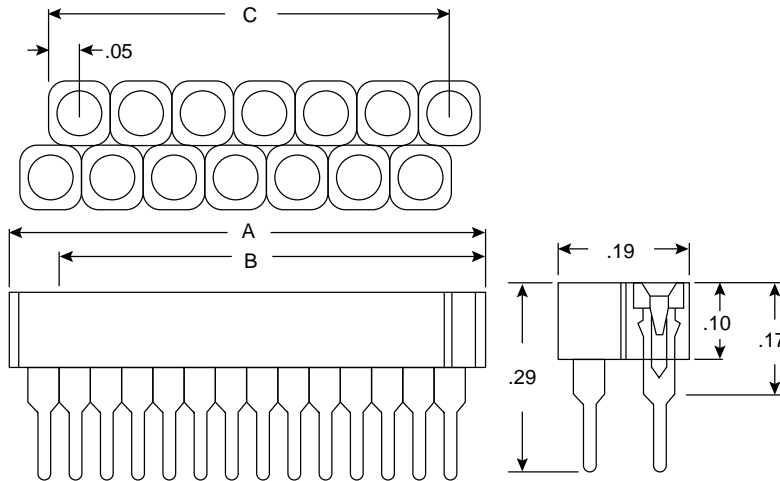
Dimensions (In.)

Specifications:

- Housing material: 25% glass filled FR 50 UL94V-0
- Color: black
- Contact: \varnothing .45mm phosphor bronze gold plated nickel

Mouser Stock No.	Description	Dimensions (In.)		
		A	B	C
154-UL6444	4P4C SMD	.440	.300	.150
154-UL6644	6P4C SMD	.520	.400	.250
154-UL6664	6P6C SMD	.520	.400	.250

Dimensions (In.)



Specifications:

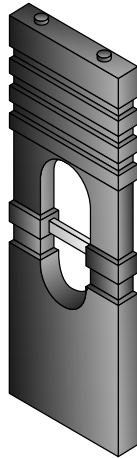
- Contact resistance typical: $\leq 4\text{m}\Omega$
- Current rating maximum: 3.0 amp
- Capacitance contact to contact: 0.35pF
- Insertion force typical: $\leq 3\text{N}$
- Withdrawal force typical: $\geq 0.4\text{N}$
- Maximum acceptable pin size: 0.018"
- Temperature range: -65°C to $+150^\circ\text{C}$
- Material plastic: PBT 30% glass
- Material contact: BeCu

Mouser Stock No.	Pins	Plate	Width	Dimensions (In.)		
				A	B	C
151-116T	16	Tin	.20	.82	.80	.75
151-118T	18	Tin	.20	.92	.90	.85
151-120T	20	Tin	.20	1.02	1.00	.95
151-124T	24	Tin	.20	1.26	1.20	1.14
151-128T	28	Tin	.20	1.40	1.38	1.33

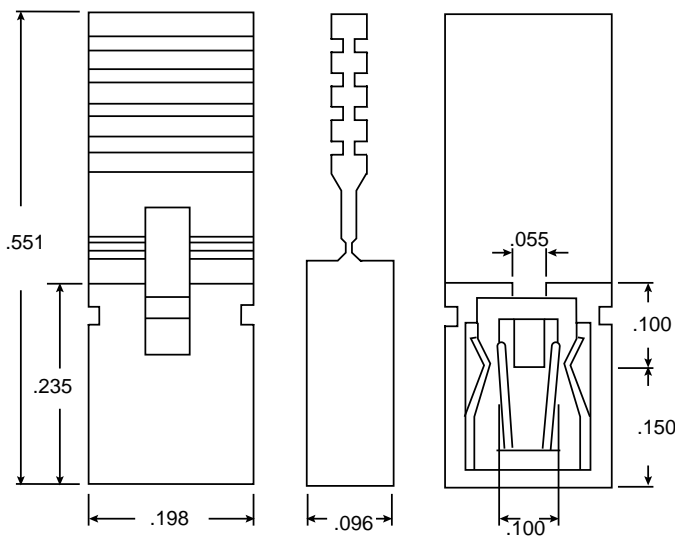
Your source for quality electronics. Toll-free full service

(800) 346-6873

<http://www.mouser.com>



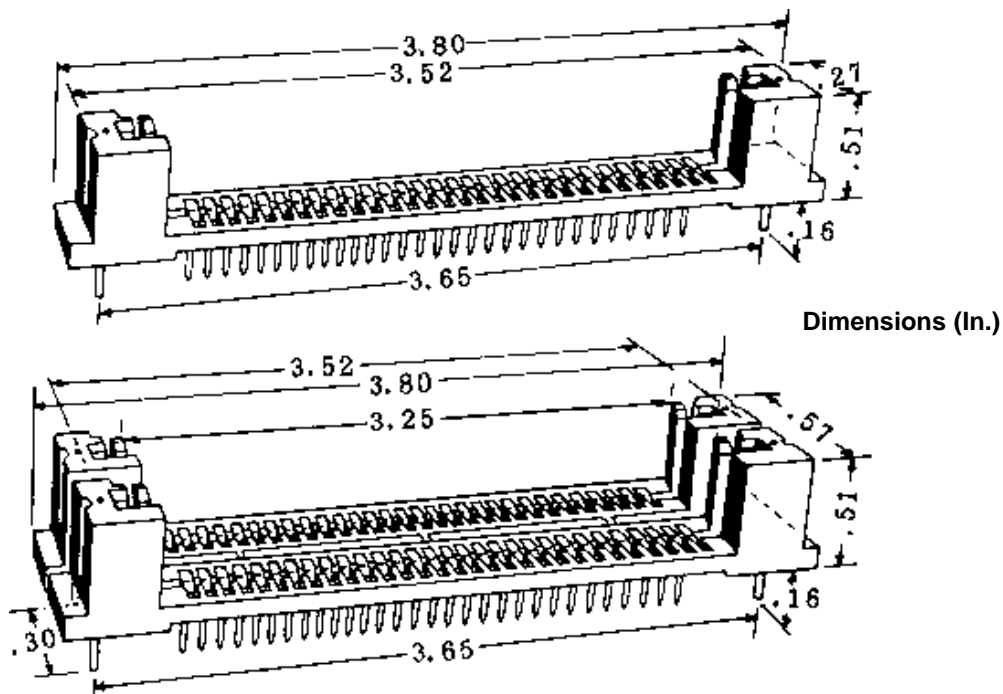
DIMENSIONS (IN.)



Specifications:

- Insulation resistance: $10^{10}\Omega$ (contact to contact) at 500VDC
- Arc resistance: 145 secs at 23°C
- Electrical strength: 121KV / cm at 23°C
- Operating temperature: -55°C to 105°C
- Flammability: UL94V-0
- Contact resistance: 7m Ω
- Current rating: 3 amp
- Capacitance: .50pf (contact to contact)
- Insertion force: 80g
- Withdrawal force: 112g
- Housing material: PBT 30% glass

Your source for quality electronics. Toll-free full service
(800) 346-6873



Liquid Crystal Polymer Version

Flammability	UL 94V-0
Contact	Phosphor bronze alloy
Contact finishes	Tin plating 3 μ m

PERFORMANCE SPECIFICATIONS

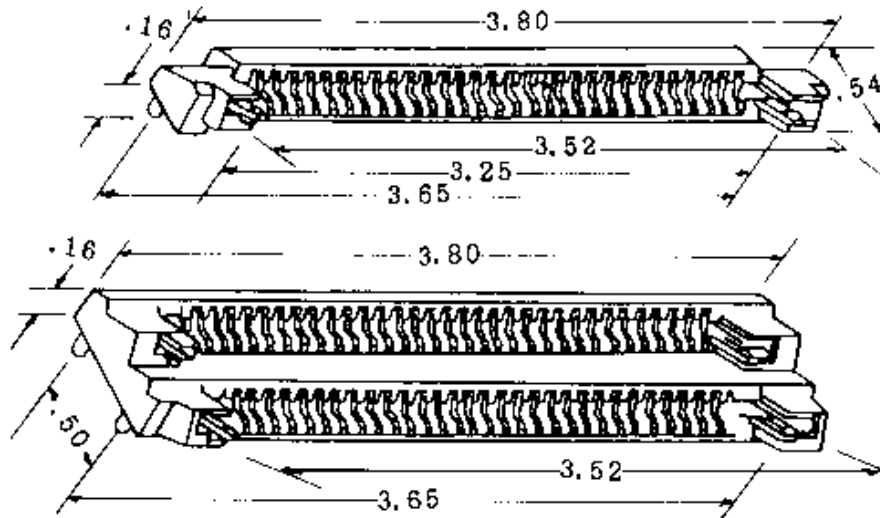
Vibration:	MIL-STD-Z02
Durability:	40 cycles
Contact Force:	70g
Contact Retention Force:	2lbs per circuit minimum
Contact rating:	1 Amp
Operating and Storage Temperature:	-40° to +80°
Contact Resistance:	20m Ω max.
Insulation Resistance:	5000 M Ω at 500DC
Withstanding Voltage:	AC 1000V

Your source for quality electronics. Toll-free full service

(800) 346-6873

<http://www.mouser.com>

Dimensions (In.)



Liquid Crystal Polymer Version

Flammability	UL 94V-0
Contact	Phosphor bronze alloy
Contact finishes	Tin plating 3 μ m

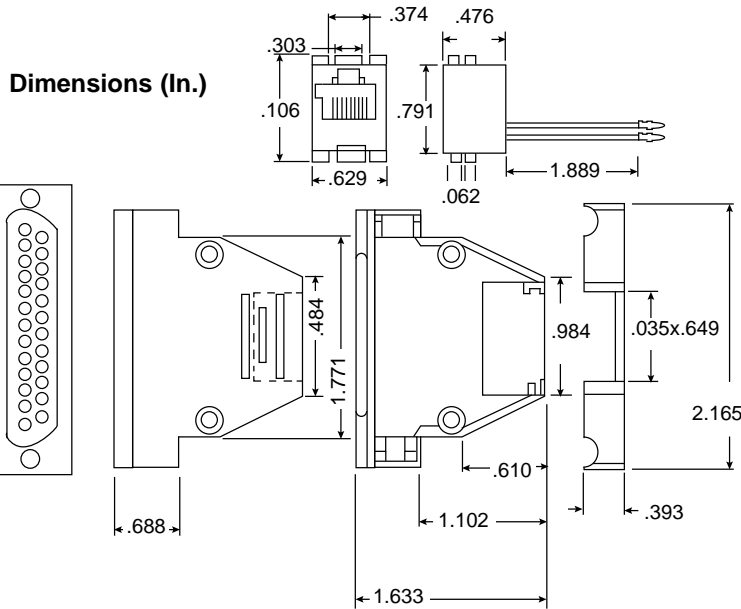
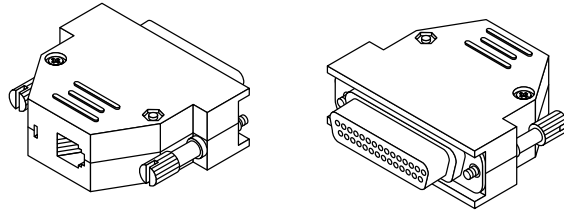
PERFORMANCE SPECIFICATIONS

Vibration:	MIL-STD-Z02
Durability:	40 cycles
Contact Force:	70g
Contact Retention Force:	2lbs per circuit minimum
Contact rating:	1Amp
Operating and Storage Temperature:	-40° to +80°
Contact Resistance:	20m Ω max.
Insulation Resistance:	5000 M Ω at 500DC
Withstanding Voltage:	AC 1000V

Your source for quality electronics. Toll-free full service

(800) 346-6873

<http://www.mouser.com>



154-2566M, F

Pin	Wire Color
1	Blue
2	Yellow
3	Green
4	Red
5	Black
6	White

154-2588M, F

Pin	Wire Color
1	Orange
2	Blue
3	Red
4	Black
5	Yellow
6	Green
7	Gray
8	Brown

Mouser Stock No.	Description	
154-2566M	Male	6P/6C
154-2566F	Female	6P/6C
154-2588M	Male	8P/8C
154-2588F	Female	8P/8C

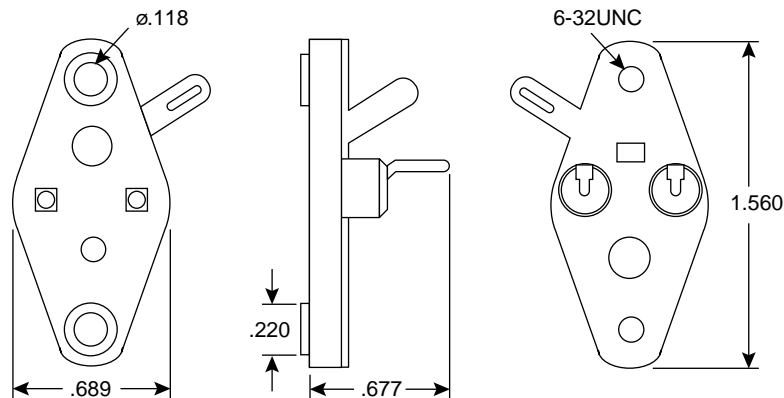
Material Specifications:

- Screw: nickel plated copper
- Plastic housing: ABS
- D-SUB insulation: PBT
- D-SUB metal: tinned plates
- Modular jack-housing: ABS
- Modular jack-contact: 6 micro inch plated-phosphor bronze

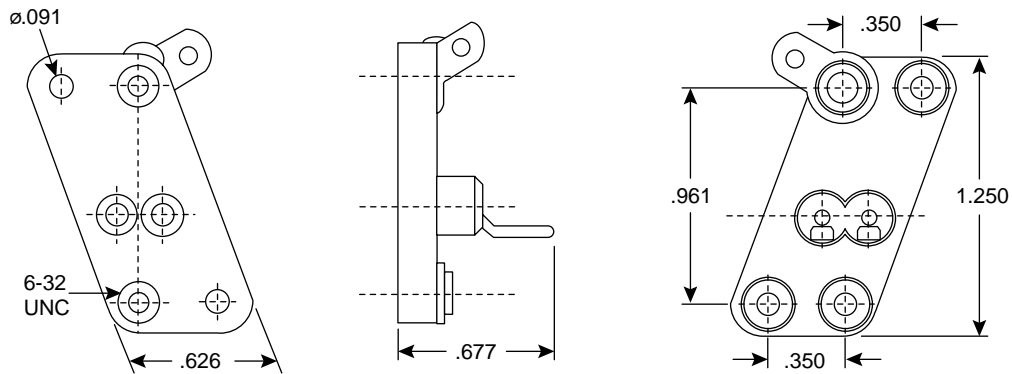
Your source for quality electronics. Toll-free full service

(800) 346-6873

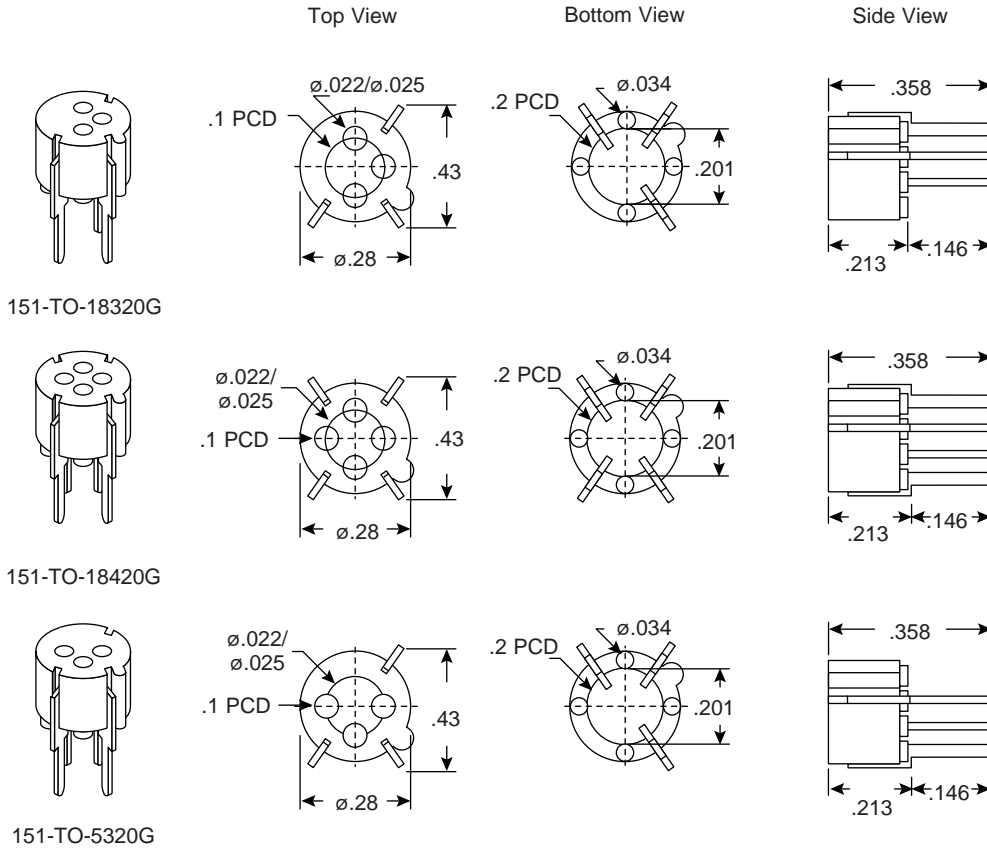
<http://www.mouser.com>

**Dimensions (In.)****Specifications:**

- Type: power transistor
- Contact resistance: 10m Ω typical
- Current rating: 5.0A max.
- Contact to contact capacitance: 0.50pF
- Insertion force: 200G typical
- Withdrawal force: 180G typical
- Maximum acceptable pin size: 0.044 in.
- Temperature range: -33°~+105°C
- Material plastic: phenolic resin
- Contact material: phosphor bronze

**Dimensions (In.)****Specifications:**

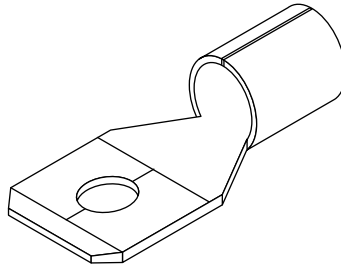
- Type: power transistor
- Contact resistance: 10m Ω typical
- Current rating: 5.0A max.
- Contact to contact capacitance: 0.50pF
- Insertion force: 200G typical
- Withdrawal force: 180G typical
- Maximum acceptable pin size: 0.044 in.
- Temperature range: -33 $^{\circ}$ ~+105 $^{\circ}$ C
- Material plastic: phenolic resin
- Contact material: phosphor bronze



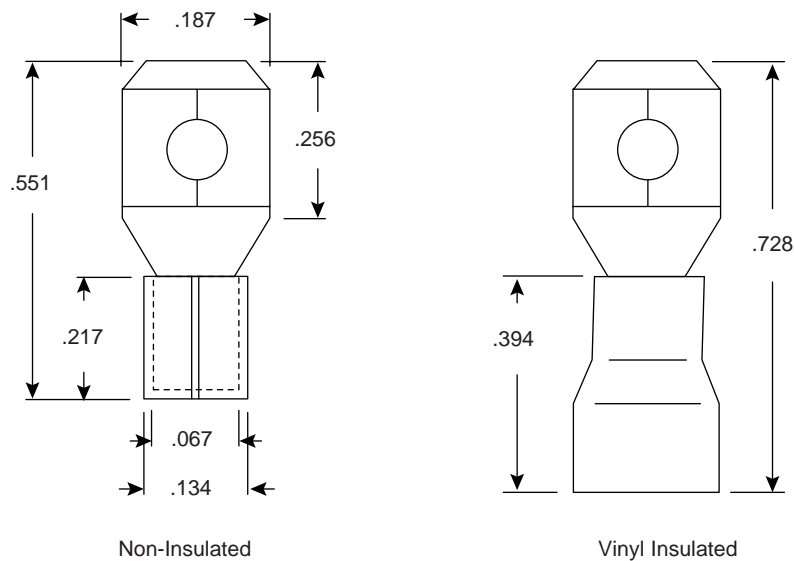
Dimensions (In.)

Specifications:

- Flammability rating: UL94V-0
- Material: 30% glass filled polyester
- Contact material: phospher bronze
- Contact rating: 1.0A
- Contact resistance: 10mΩ
- Temperature range: -65°C ~+150°C
- Contact~contact capacitance: 0.70pF
- Insertion force: 200G
- Withdrawal force: 150G

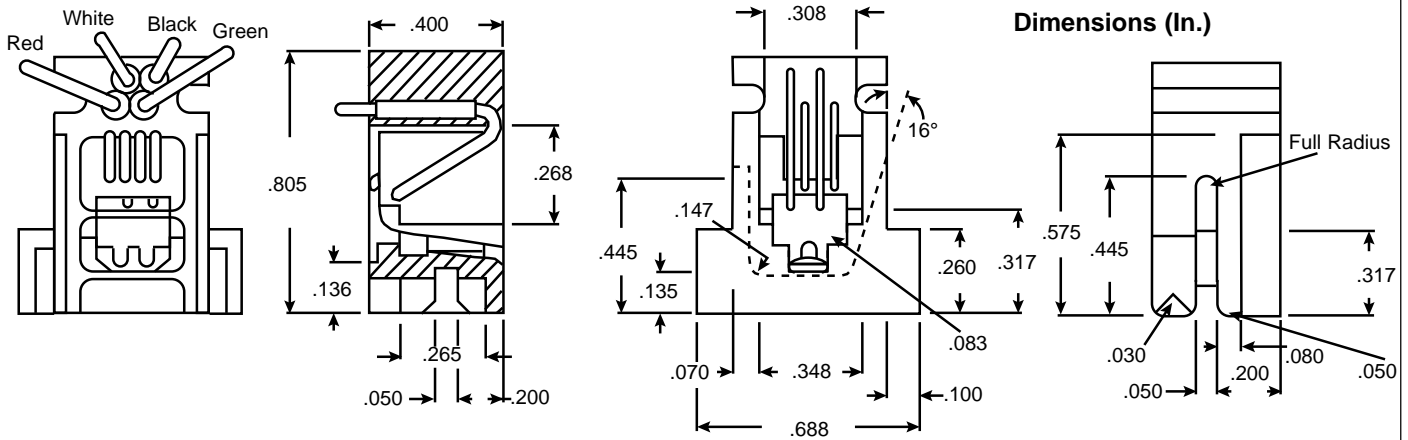
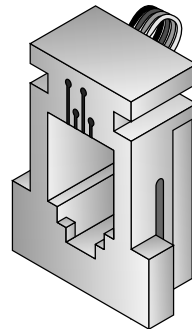


Dimensions (In.)



Specifications:

- Wire size: 22-16AWG (1.25mm²)
- Electric current: 10A max.
- Electrical rating: 75°C 300V max.
- Insulation color: red
- Terminal material: brass
- Insulation material: vinyl
- Nema tab: .032 x .187 inches
- Material thickness: .032 inches



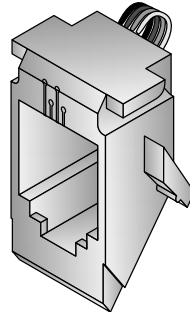
Electrical Specifications:

- Current rating: 1.5A
- Voltage rating: 150V max.
- Breakdown voltage: 500VAC for 1 minute
- Insulation resistance: 10M

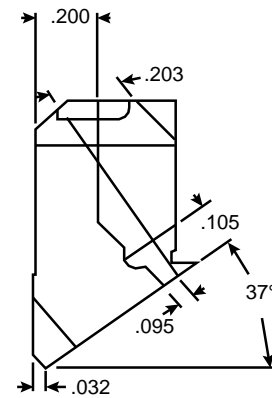
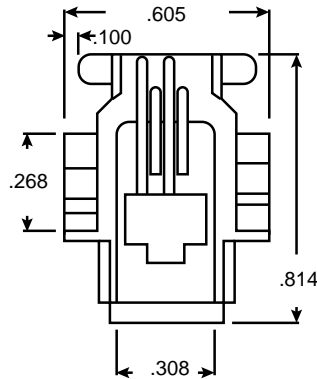
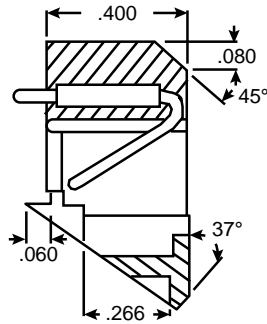
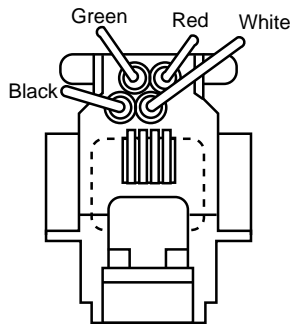
Specifications:

- Contact: 0.014" thickness phosphor Bronze alloy selective Gold plating over nickel over tin
- Housing: 25% glassfilled nylon 66, UL94V-0
- 50 micron gold plated contacts
- Lead length: 4"

Your source for quality electronics. Toll-free full service
(800) 346-6873



Dimensions (In.)



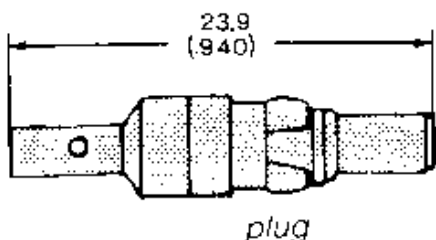
Electrical Specifications:

- Current rating: 1.5A
- Voltage rating: 150V max.
- Breakdown voltage: 500VAC for 1 minute
- Insulation resistance: 10M

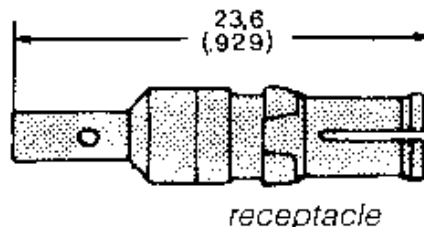
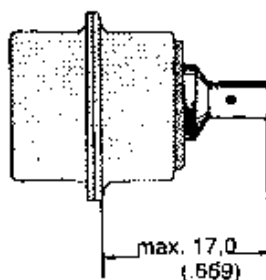
Specifications:

- Contact: 0.014" thickness phosphor Bronze alloy selective Gold plating over nickel overtin
- Housing: 25% glassfilled nylon 66, UL94V-0
- 50 micron gold plated contacts
- Lead length: 4"

Your source for quality electronics. Toll-free full service
(800) 346-6873

*plug*

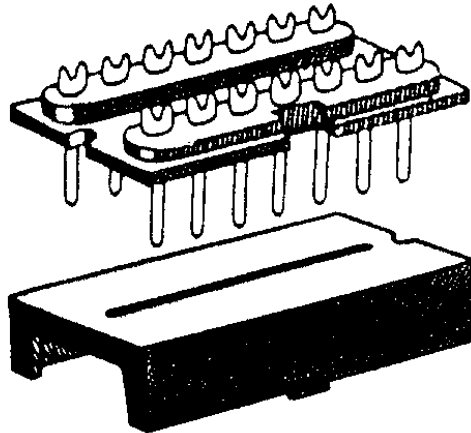
Dimensions (In.)

*receptacle**plug / receptacle*

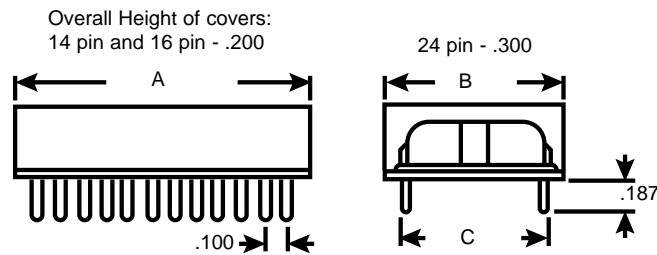
IMPEDANCE: 50 OHM
INSULATION RESISTANCE: 1×10^6 MEGAOHM
CONTACT RESISTANCE: 6 MILLIOHM
OPERATING VOLTAGE: 500 V @ 50 Hz
WITHSTANDING VOLTAGE: 750 V @ 50 Hz
CURRENT RATING: 1.5A (MAX)
FREQUENCY RANGE: 0-2 GHz
INSERTION CYCLES: >300
TEMPERATURE RANGE: -65 C TO +165 C
OUTER CONDUCTOR PLUG: Cu ALLOY
OUTER CONDUCTOR RECEPTACLE: CuBe
CENTER CONDUCTOR: Cu ALLOY
RETAINING RING: CuBe
DIELECTRIC: PTFE
CENTER CONDUCTOR PLATING: 2 μ m Ni, 1.3 μ m Au
OUTER CONDUCTOR PLATING/MATING AREA: 3 μ m Ni, 0.8 μ m Au
OUTER CONDUCTOR PLATING/TERMINATION AREA: 2 μ m Ni, 0.3 μ m Au

Your source for quality electronics. Toll-free full service

(800) 346-6873<http://www.mouser.com>



Dimensions (In.)



Part No.	No. of pins	Dimensions (In.)		
		A	B	C
151-314T2	14	.790	.490	.300
151-316T2	16	.890	.490	.300
151-624T2	24	1.290	.790	.600

Your source for quality electronics. Toll-free full service
(800) 346-6873

Material:

- Cover: Nylon
- Insulation resistance: 100GΩ (contact to contact) @500VDC
- Arc resistance: 145 secs at 23°C
- Electrical strength: 121KV / cm at 23°C

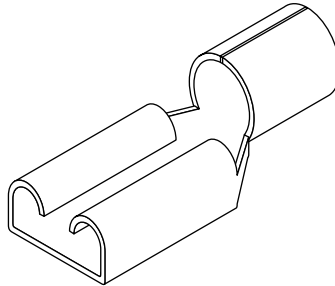
Dielectric Constant:

- At 100Hz 23°C: 3.9 (48hrs 90% RH)
- At 100Hz 121°C: 4.5
- At 1MHz 23°C: 3.7 (48hrs 90% RH)
- At 1MHz 121°C: 4.3

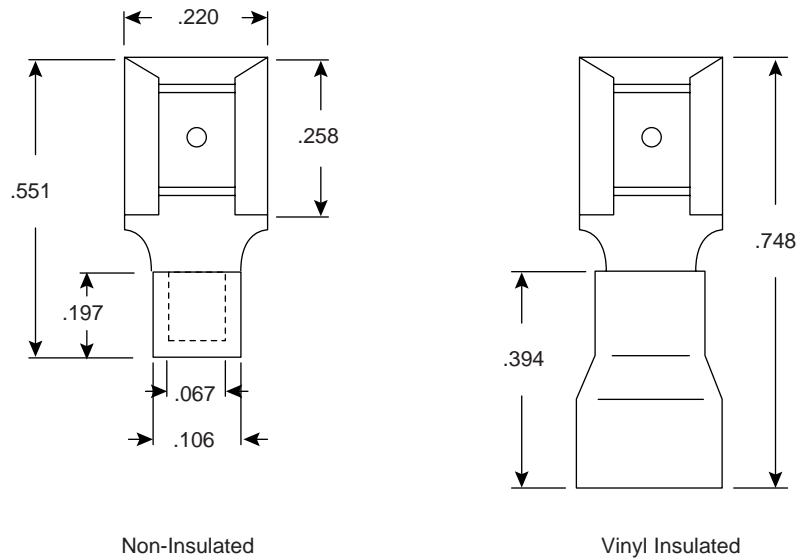
Dissipation Factor:

- At 100Hz 23°C: 0.0077 (48hrs 30% RH)
- At 100Hz 121°C: 0.0300
- At 1MHz 23°C: 0.0150 (48hrs 30% RH)
- At 1MHz 121°C: 0.0200
- Volume resistivity at 25°C: 3 x 100TΩ-CM (48hrs 90% RH)
- Volume resistivity at 121°C: 100TΩ-CM
- Operating temperature: -65°C to 150°C
- Flammability: UL94V-O

Part No.	Contact Resistance Typical	Capacitance Contact to Contact	Insertion Force Typical	Withdrawal Force Typical	Maximum Acceptable Pin Size	Temperature Range	Material Plactic	Material Contact
151-314T2	N / A	1.0 amp	N / A	N / A	N / A	-55°C to +150°C	PBT 30% Glass	PhBr
151-316T2	N / A	1.0 amp	N / A	N / A	N / A	-55°C to +150°C	PBT 30% Glass	PhBr
151-624T2	N / A	1.0 amp	N / A	N / A	N / A	-55°C to +150°C	PBT 30% Glass	PhBr

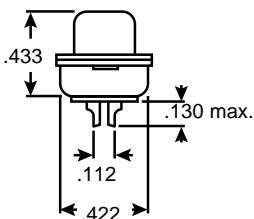
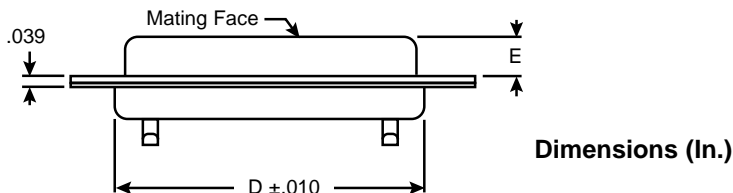
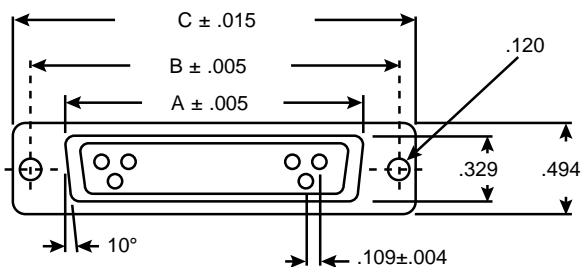
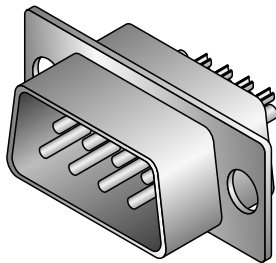


Dimensions (In.)



Specifications:

- Wire size: 22-16AWG (1.25mm³)
- Electric current: 10A max.
- Electrical rating: 75°C 300V max.
- Insulation color: red
- Terminal material: brass
- Insulation material: vinyl
- Nema tab: .032 x .187 inches
- Material thickness: .014 inches



Material Specifications:

- Shell: steel zinc plated
- Socket contact: gold plated over nickel
- Insulator: PBT and glass fiber reinforced UL-94-VO

Electrical Specifications:

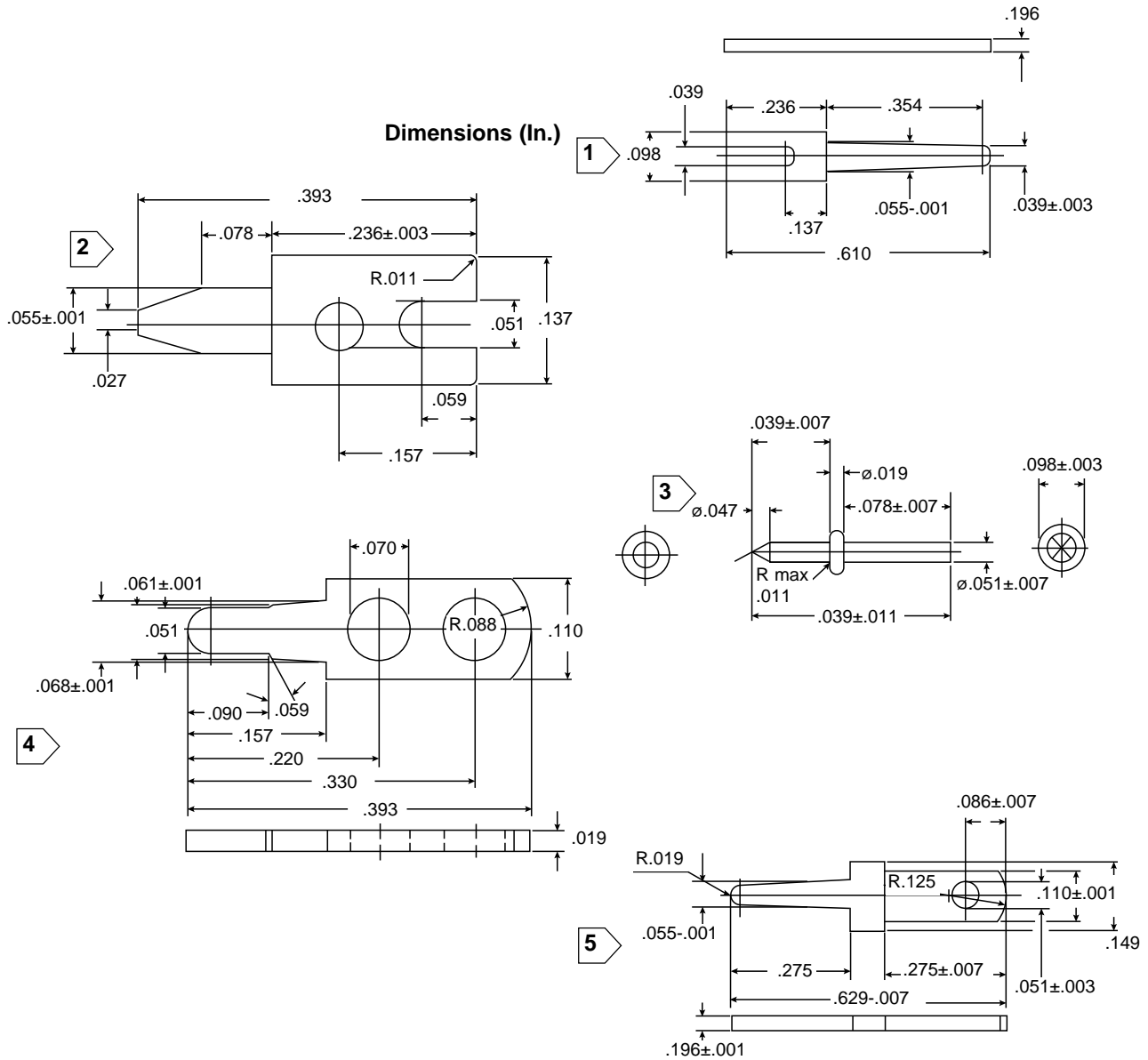
- Current rating: 5A
- Dielectric strength: 1000V for 1 minute
- Insulator resistance: 1000MΩ Min. @ 500VDC
- Temperature: -55°C ~ +105°C

Mouser Stock No.	No. Pins	A	B	C	D	E
156-1309	9	.666	.984	1.213	.759	.235
156-1315	15	.994	1.312	1.541	1.083	.235
156-1625	25	1.534	1.852	2.088	1.625	.230
156-1337	37	2.182	2.500	2.729	2.272	.230

Your source for quality electronics. Toll-free full services

(800)346-6873

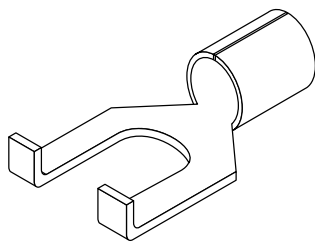
Dimensions (In.)



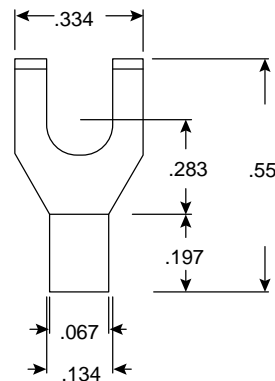
Mouser Stock No.	Fig.
153-1001	1
153-1002	2
153-1003	3
153-1004	4
153-1005	5

Material: Brass

Your source for quality electronics. Toll-free full service
(800) 346-6873



Dimensions (In.)



Specifications:

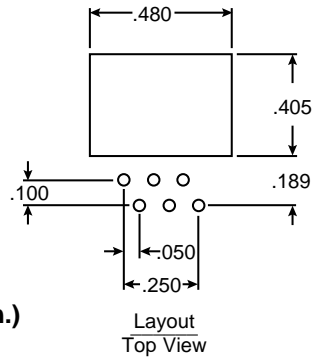
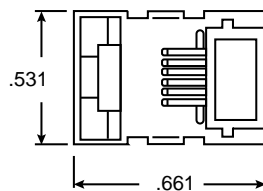
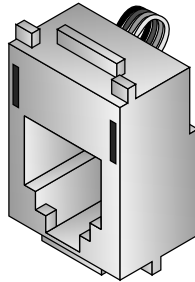
- Wire Size: 22-16AWG
- Current rating: 19A
- Voltage rating: 600V, 75°C
- Terminal material: copper
- Terminal thickness: .029 inches

Mouser Stock No.	Stud Size
159-2244	6
159-2245	8
159-2246	10

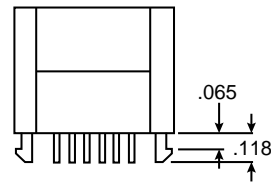
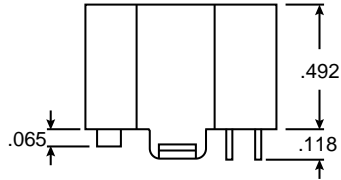
Your source for quality electronics. Toll-free full service

(800) 346-6873

<http://www.mouser.com>



Dimensions (In.)

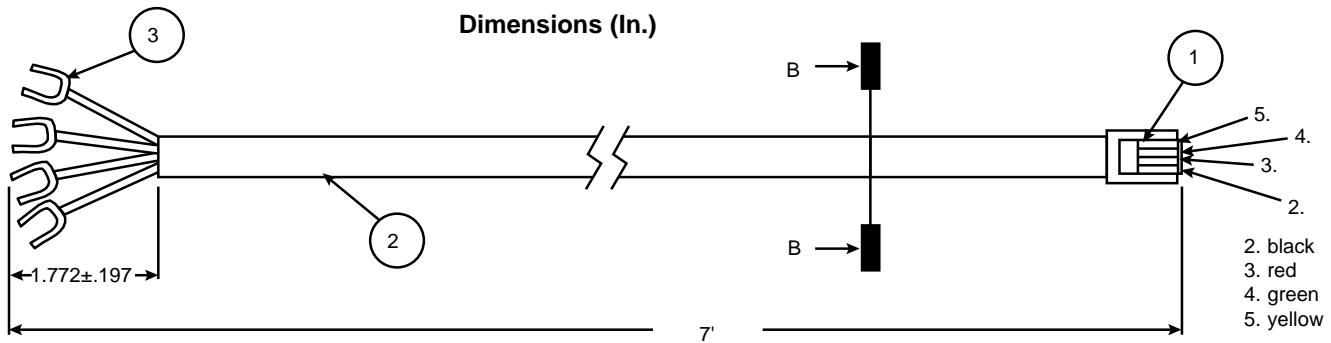


Material Specifications:

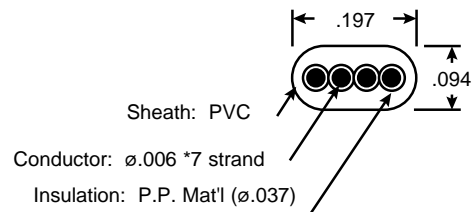
- Contact: phosphor bronze alloy
- Diameter gold plating over nickel: .45mm (0.018")
- Thickness gold plating over nickel on contact area, tin plating on tail area: .35mm(.014")

Mouser Stock No.	USOC Type	Positions Contacts	Western Electric Type	Material	Color
154-7652A6	RJ12	6-6	652A6	6 micron gold plate contacts	Gray

Your source for quality electronics. Toll-free full service
(800) 346-6873



1	Plug	6P4C	6 micro inch gold plated
2	Cable		7 feet length ivory
3	Terminal	Y type	

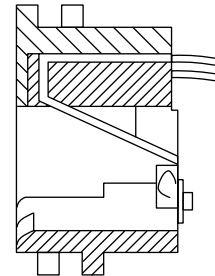
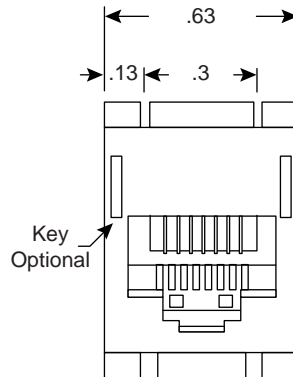
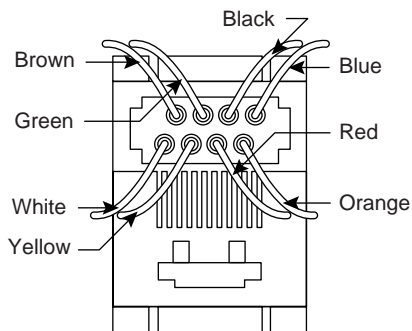
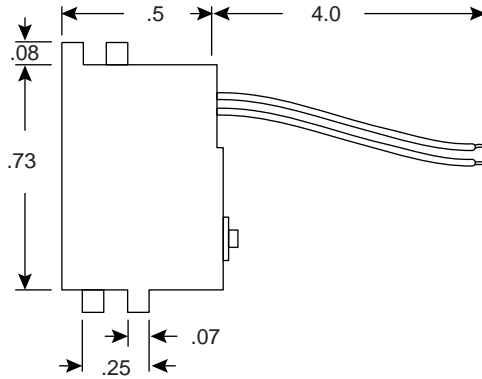
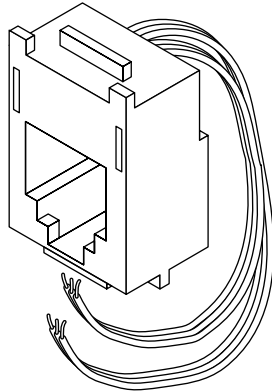


Specifications:

- Insulation of conductor: $.008 \pm .002$
- Dia. of conductor: $.037 \pm .0008$
- Width of cable: $.197 \pm .008$
- D.C. resistance: $\leq .055 \Omega/m$ 20°C
- Dielectric withstanding: 500AC
- Style of plugs: 6P4C
- Position of contact blade: 2, 3, 4, 5

Your source for quality electronics. Toll-free full service

(800) 346-6873

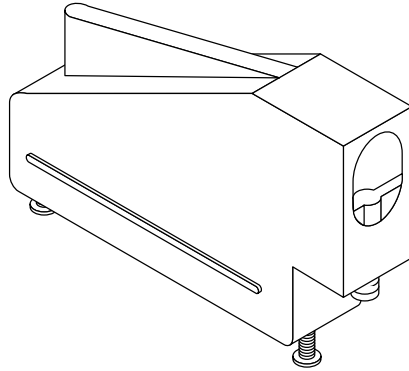


Dimensions (In.)

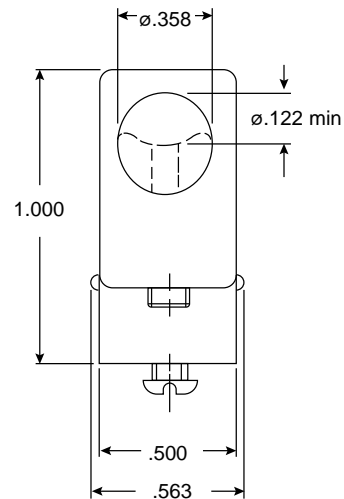
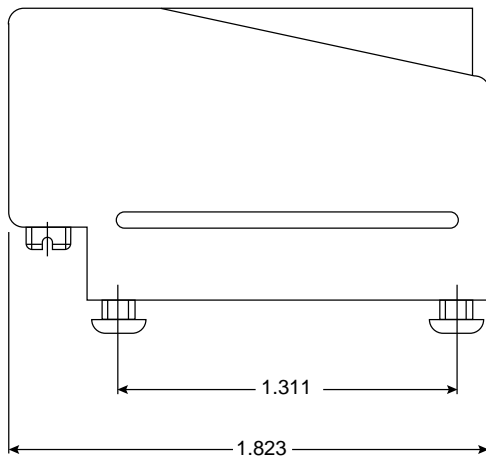
Specifications:

- Type: keyed (154-647), unkeyed (154-641D)
- Body: cyclac ABS plastic
- Color: Gray

- Contacts: 6 micron gold plated
- USOC type: RJ45
- Western electric type: 647
- Position contacts: 8-8K

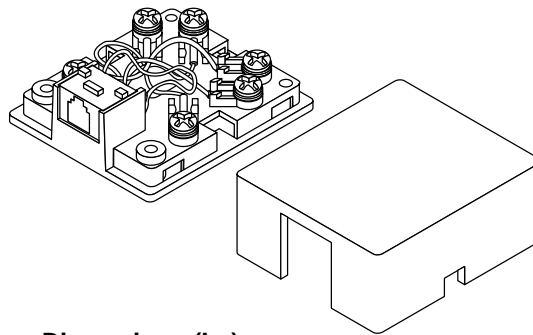


Dimensions (In.)

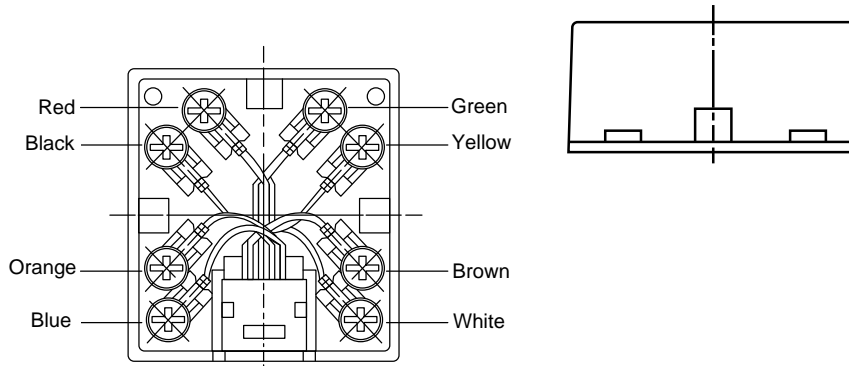
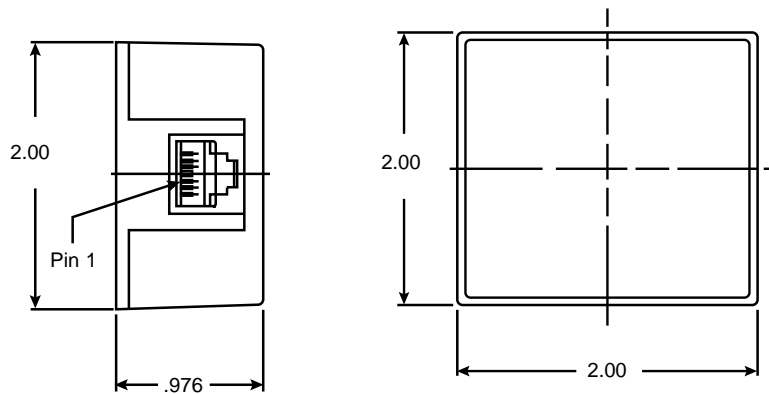


Your source for quality electronics. Toll-free full services

(800)346-6873



Dimensions (In.)



Jack Wire System:

- Pin 1: Blue
- Pin 2: Orange
- Pin 3: Black
- Pin 4: Red
- Pin 5: Green
- Pin 6: Yellow
- Pin 7: Brown
- Pin 8: White

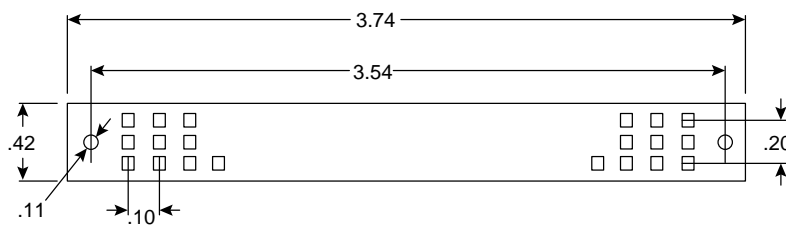
Description	Material	Treatment
Cover	ABS	
Gold wire	Phospor bronze alloy	6" gold plated opera 100" nickel plated
Lead wire	UL-1061 26AWG	1.16mm / 7 strand
Terminal	Y-type	Cu
Screw	Self-tapping screw	Nickel plate

Your source for quality electronics. Toll-free full services

(800)346-6873

<http://www.mouser.com>

Dimensions (In.)



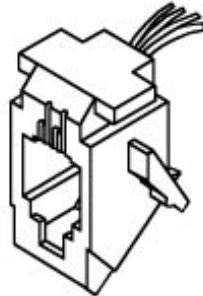
Specifications:

- Proof voltage: 800V
- Contact resistance: 20m Ω
- Insulation resistance: 10,000G Ω
- Max. current rating: 1A
- Temperature range: -55°C to +125°C
- Contacts: phosphor-bronze
- Insulation: glass-reinforced plastic
- Meets DIN 41612 standards
- UL flammability: 94V-0

Your source for quality electronics. Toll-free full service

(800) 346-6873

<http://www.mouser.com>

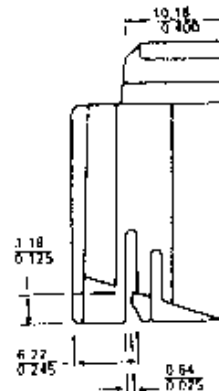
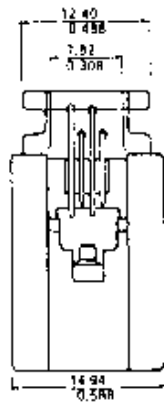
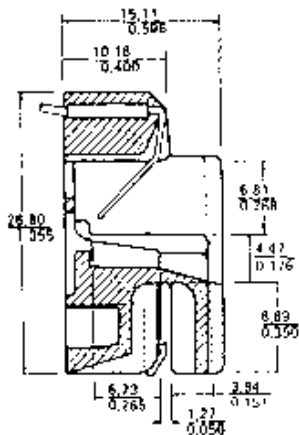
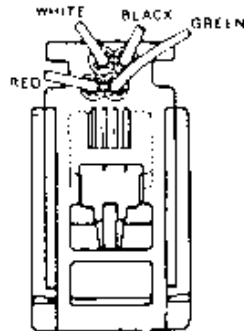
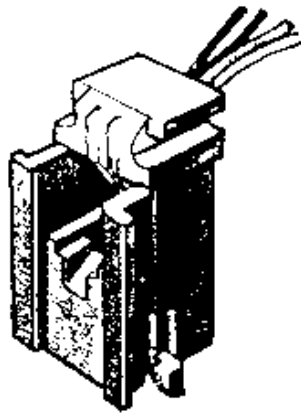


Dimensions (In.)

Features:

- 4" PVC insulated leads
- Cylolac ABS plastic body
- Gold plated contacts

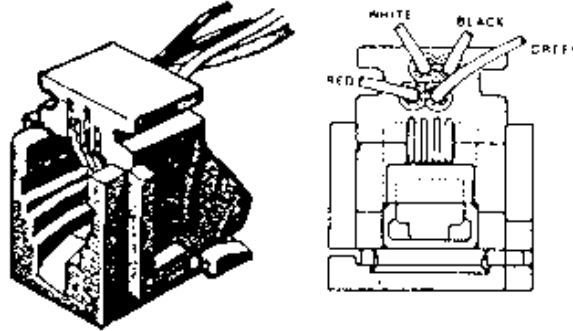
Your source for quality electronics. Toll-free full service
(800) 346-6873



Your source for quality electronics. Toll-free full service

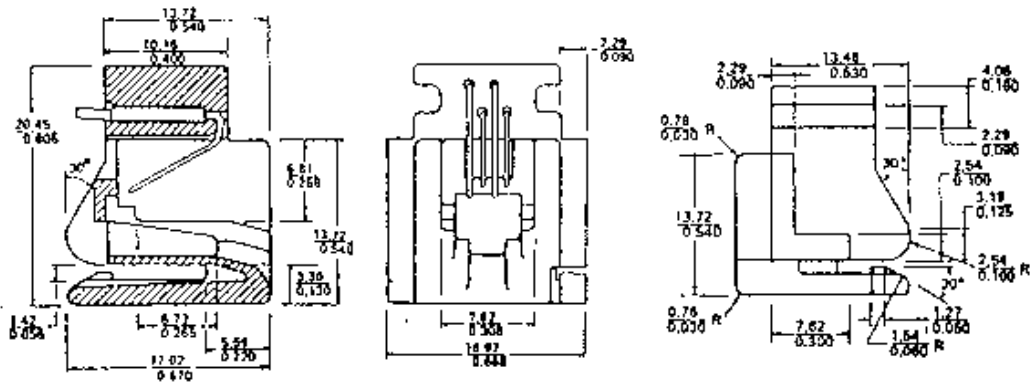
(800) 346-6873

<http://www.mouser.com>



FEATURES:

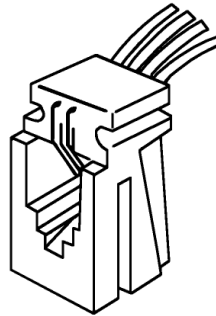
- CYCOLAC ABS PLASTIC BODY
- GOLD PLATED CONTACTS



Your source for quality electronics. Toll-free full service

(800) 346-6873

<http://www.mouser.com>

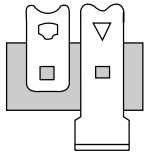


Dimensions (In.)

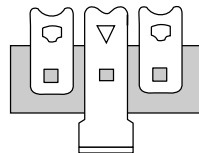
Features:

- Cyclic ABS plastic body
- Gold plated contacts
- 4" PVC insulated leads

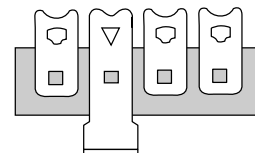
Your source for quality electronics. Toll-free full service
(800) 346-6873



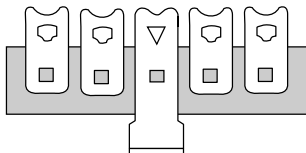
158-1002



158-1003

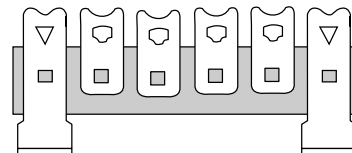


158-1004

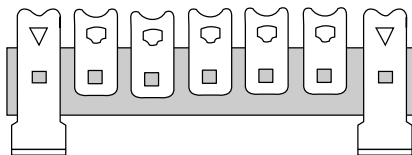


158-1005

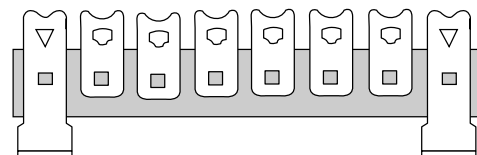
Dimensions (In.)



158-1006



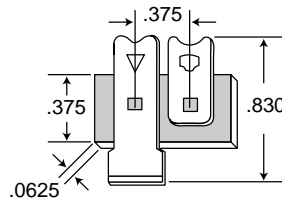
158-1007



158-1008

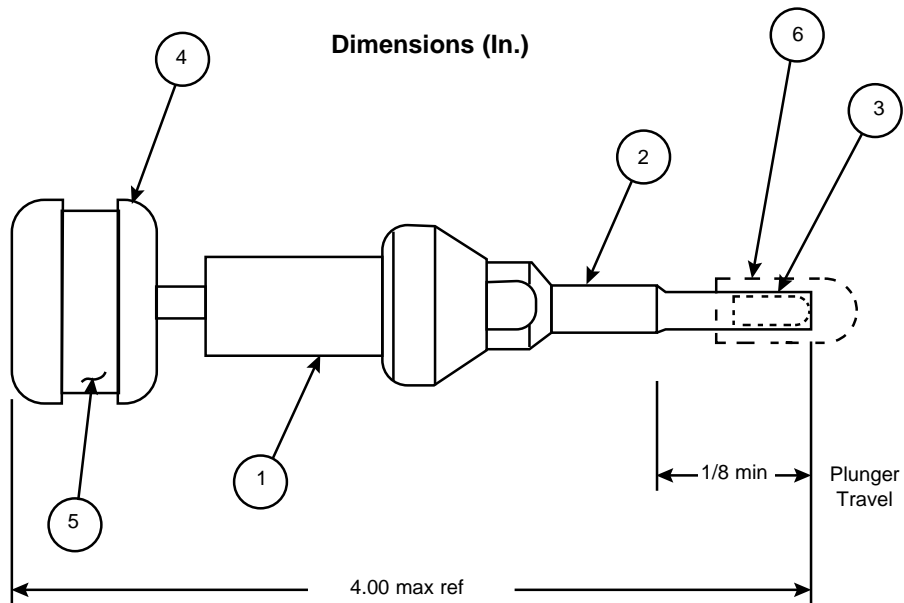
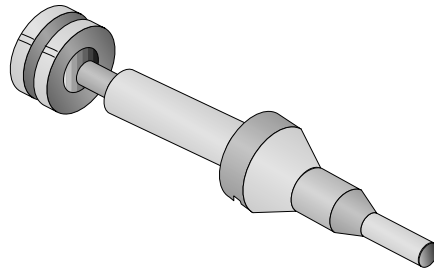
Specifications:

- Lugs: steel, tin plated
- Strip: phenolic .375" x .0625"
- Mounting hole: fits no. 6 screw



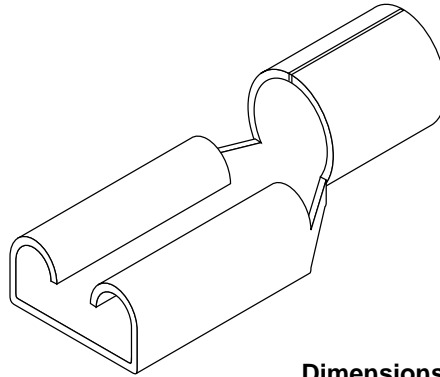
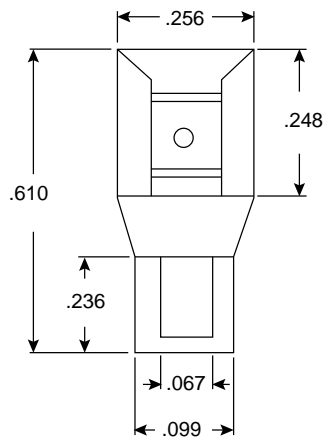
Your source for quality electronics. Toll-free full service

(800) 346-6873



Sym.	Description
1	Body (gold)
2	Probe
3	Plunger
4	Handle
5	Name plate
6	Boot (yel)

Your source for quality electronics. Toll-free full service
(800) 346-6873

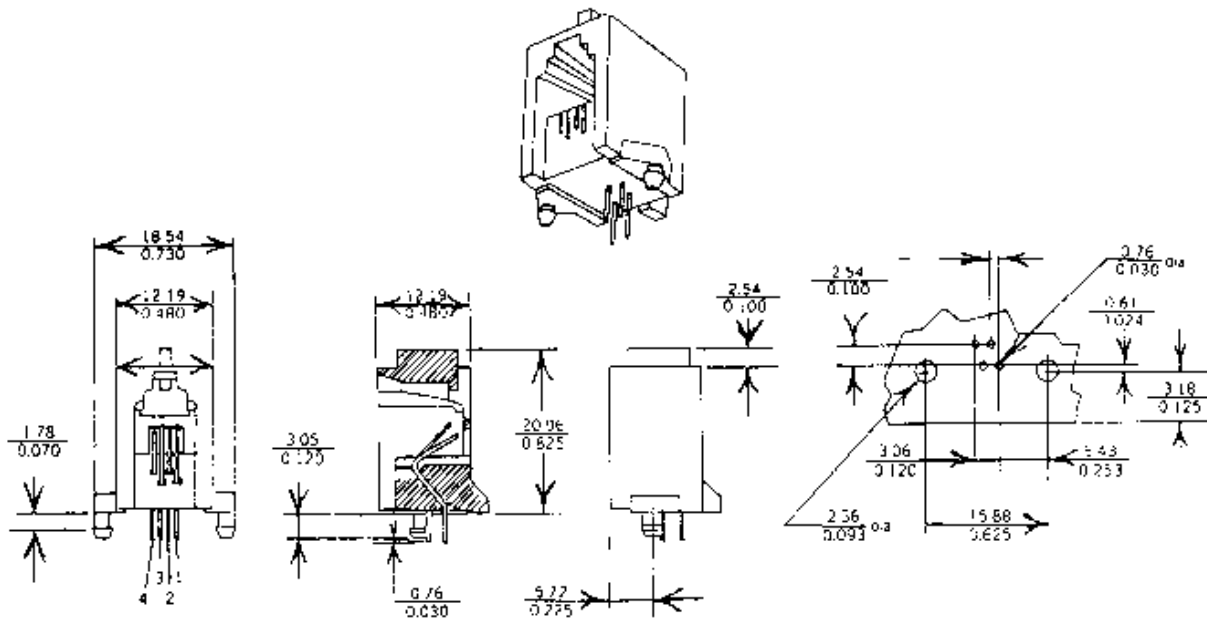
**Dimensions (In.)****Specifications:**

- Material: brass
- Accepts nema tab: .020 x .205
- Wire range: 22 - 16 AWG

Your source for quality electronics. Toll-free full service

(800) 346-6873

<http://www.mouser.com>



HOUSING MATERIAL:
COLOR:
CONTACT:

ABS RESIN (UL 94V-0)
MEDIUM GRAY
0.004 INCH DIAMETER, PHOSPHOR BRONZE WITH
0.001 INCHES GOLD PLATING OVER NICKEL

NOTE: SEE DIMENSIONS OF:

1. 800-346-6873, EXT. 828 SUBPAGE 1
2. UL 1863

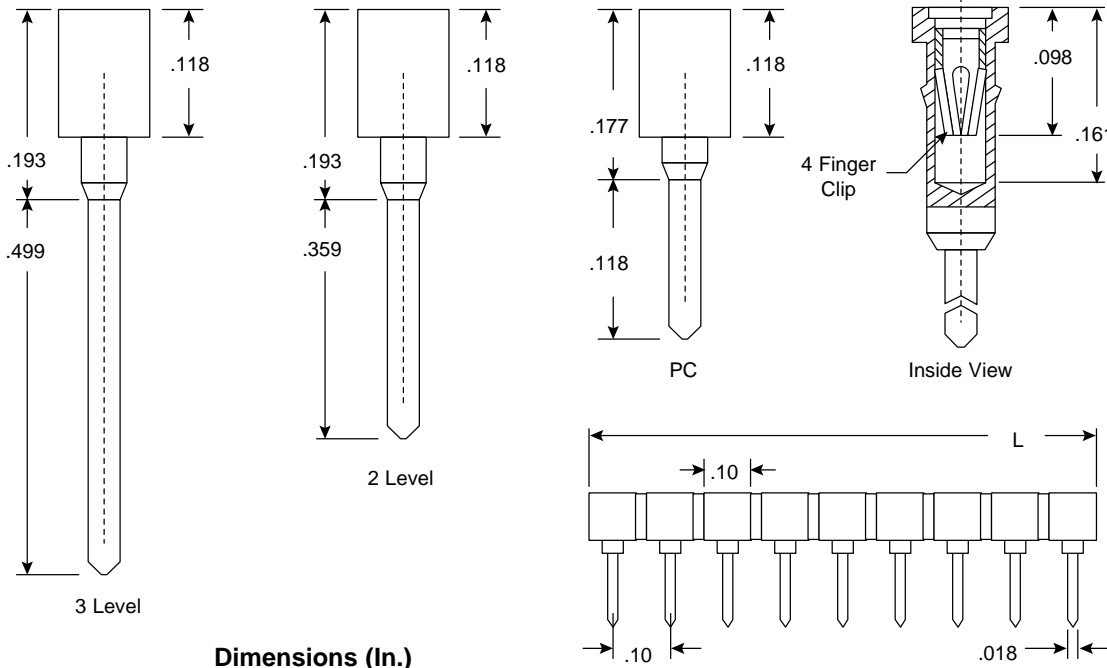
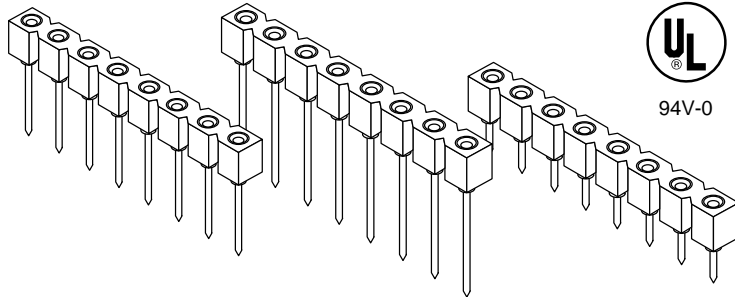
Your source for quality electronics. Toll-free full service

(800) 346-6873

<http://www.mouser.com>

Specifications:

- Contact resistance: <math><4\text{m}\Omega</math>
- Current rating: 3A (max.)
- Capacitance: 0.35pF
- Insertion force: <math><0.3\text{N}</math>
- Withdrawal force: <math><0.4\text{N}</math>
- Temperature range: $-55^{\circ}\text{C}\sim+125^{\circ}\text{C}$
- Insulator: PBT 30% glass filled plastic
- Contacts: gold plated, beryllium copper

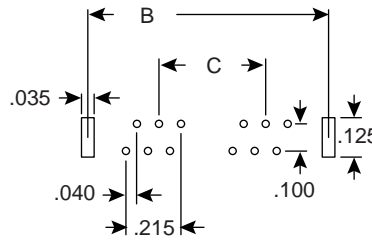
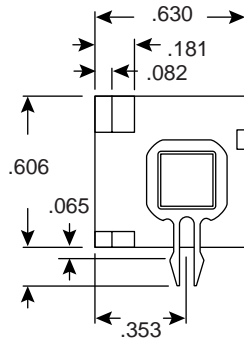
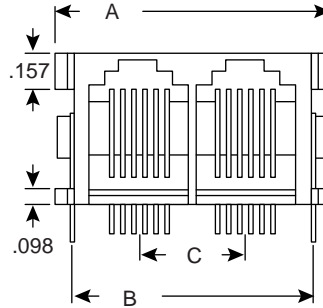
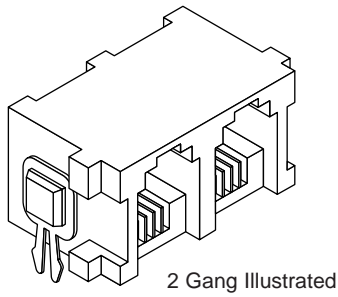


Mouser Stock No.	Terminal Type	No. of Pins	Contact Plating	L (In.)	Mouser Stock No.	Terminal Type	No. of Pins	Contact Plating	L (In.)
151-5620	WW (2 level)	20	Tin	1.995	151-5530	PC	32	Tin	3.195
151-5621	WW (2 level)	20	Gold	1.995	151-5531	PC	32	Gold	3.195
151-5630	WW (2 level)	32	Tin	3.195	151-5720	WW (3 level)	20	Tin	1.995
151-5631	WW (2 level)	32	Gold	3.195	151-5721	WW (3 level)	20	Gold	1.995
151-5520	PC	20	Tin	1.995	151-5730	WW (3 level)	32	Tin	3.195
151-5521	PC	20	Gold	1.995	151-5731	WW (3 level)	32	Gold	3.195

Your source for quality electronics. Toll-free full service

(800) 346-6873

<http://www.mouser.com>

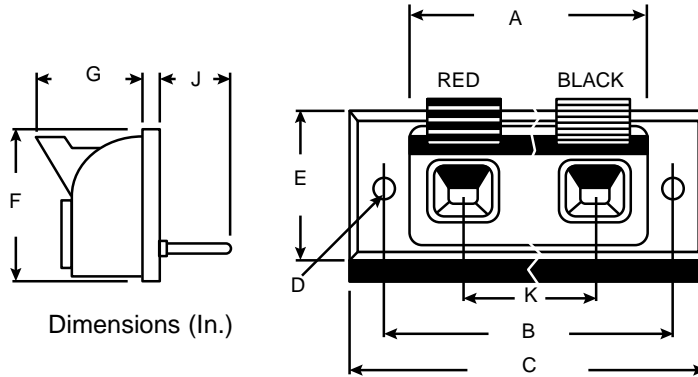


Dimensions (In.)

Specifications:

- Type: 6 positions/6 contacts, pc mount
- Color: gray
- Contacts: 50 micron gold plated
- Housing: 25% glass filled nylon 66, UL94V-0
- Other: FCC/CFR 47 part 68, Western Electric 623/RJ11 PCB type

Mouser Stock No.	Gang	Dimensions (In.)		
		A	B	C
154-6612	2	1.11	0.96	0.433
154-6613	3	1.54	1.39	0.866
154-6614	4	1.97	1.82	1.299
154-6605	5	2.40	2.25	1.732
154-6606	6	2.83	2.68	2.165
154-6607	7	3.26	3.11	2.598
154-6608	8	3.69	3.54	3.030



* Dimensions \pm .012 unless otherwise specified

Mouser Stock No.	Position	Dimension (In.)									
		A	B	C	D	E	F	G	H	J	K
15CT200	2	1.378	1.732	2.165	.138	.945	.827	.571	.283	.315	.768
151-0400	4	2.087	2.362	2.756	4 x .118	.945	.787	.591	.236	.315	.512

Material Specifications:

- Body: ABS
- Button: ABS
- Contact: nickel plated brass

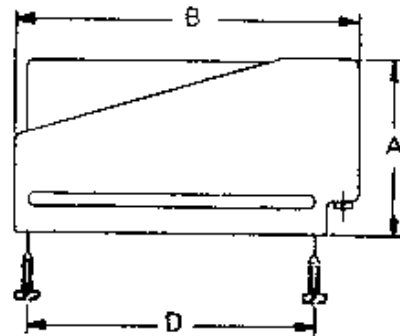
Electrical Specifications:

- Current Rating: 110VAC, 5 Amp
- Temperature Rating: -5 to +80°C
- Breakdown voltage: 500VDC for 1 minute
- Insulation resistance: 100M Ω min. @ 500VDC
- Contact resistance: 30m Ω max.
- Push force: 0.8KG-1.5KG
- Pull force: 0.8KG-2.5KG

Features:

- 15CT200: 2 position
- 151-0400: 4 position

Your source for quality electronics. Toll-free full service
(800) 346-6873

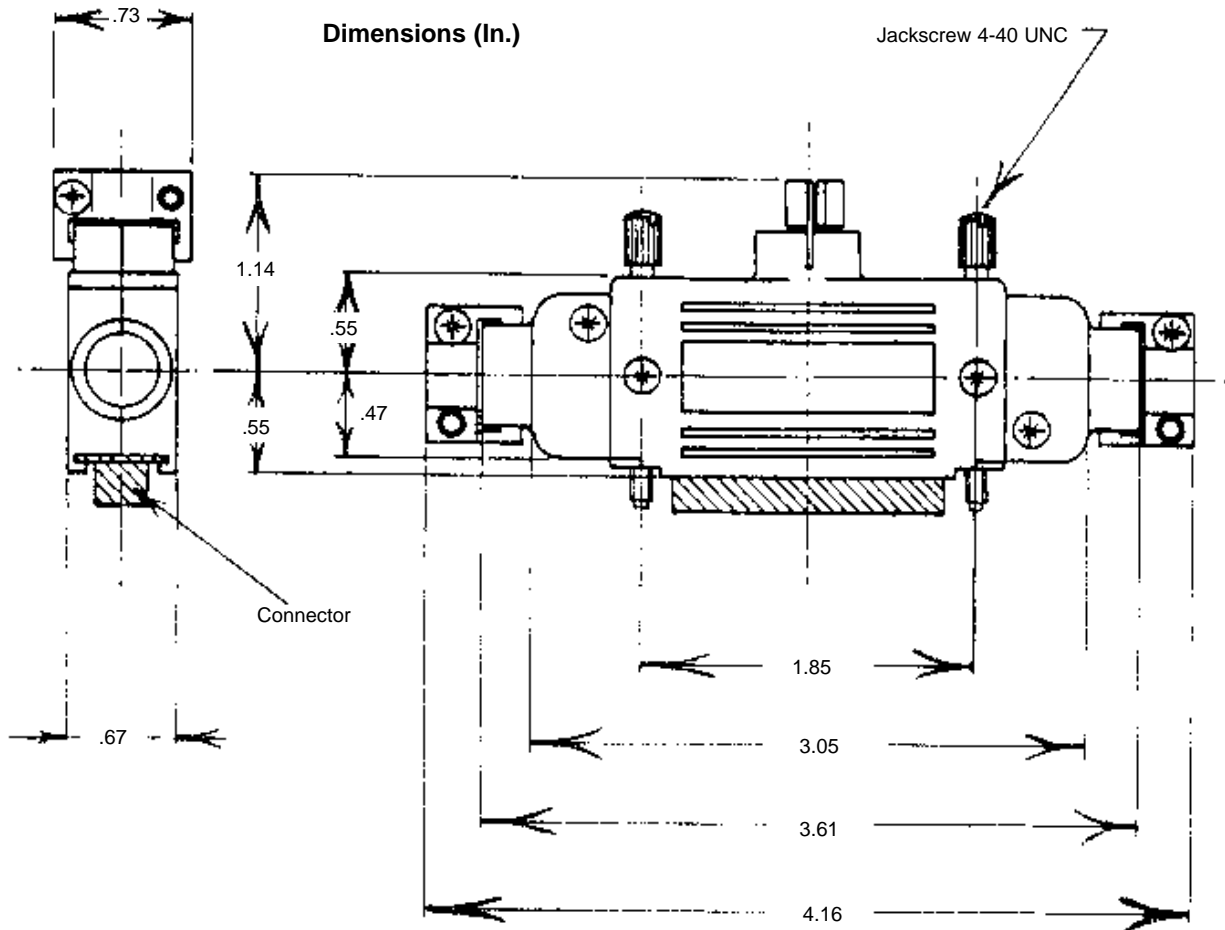


MOUSER STOCK NO.	SHELL SIZE	OUTLINE DIMENSIONS				MAX. CABLE DIA.
		A	B	C	D	
152-1209	9	25.4	37.8	14.3	25.0	7.0
152-1215	15	25.4	46.3	14.3	33.3	9.0
152-1225	25	31.7	60.1	14.3	47.0	9.0
152-1237	37	38.1	76.4	14.3	63.5	9.0
152-1250	50	38.1	74.0	17.0	61.1	11.8

Your source for quality electronics. Toll-free full service

(800) 346-6873

<http://www.mouser.com>

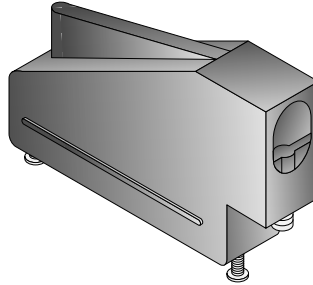
**Material Specifications:**

- Housing: ABS
- Plating: 4 microns nickel over 6 microns copper

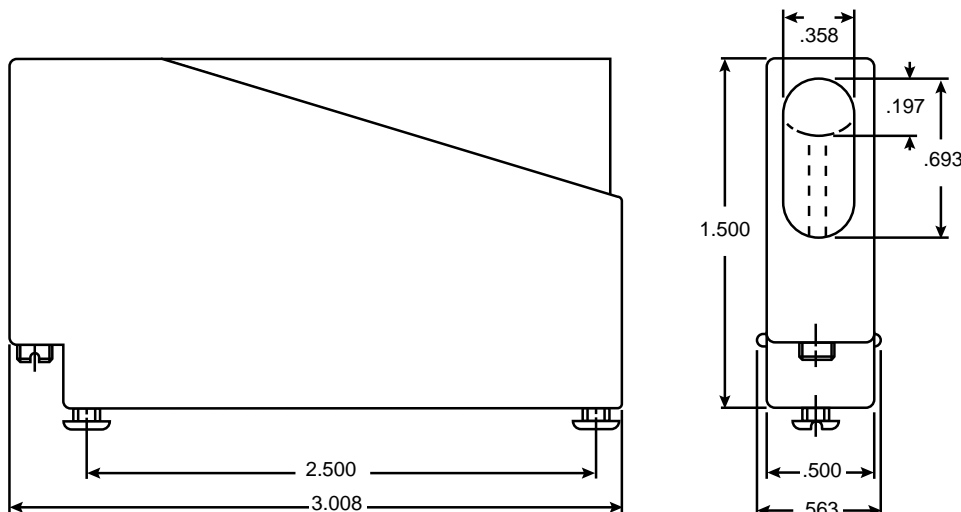
Your source for quality electronics. Toll-free full service

(800) 346-6873

<http://www.mouser.com>



Dimensions (In.)

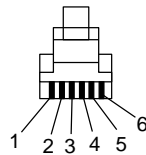
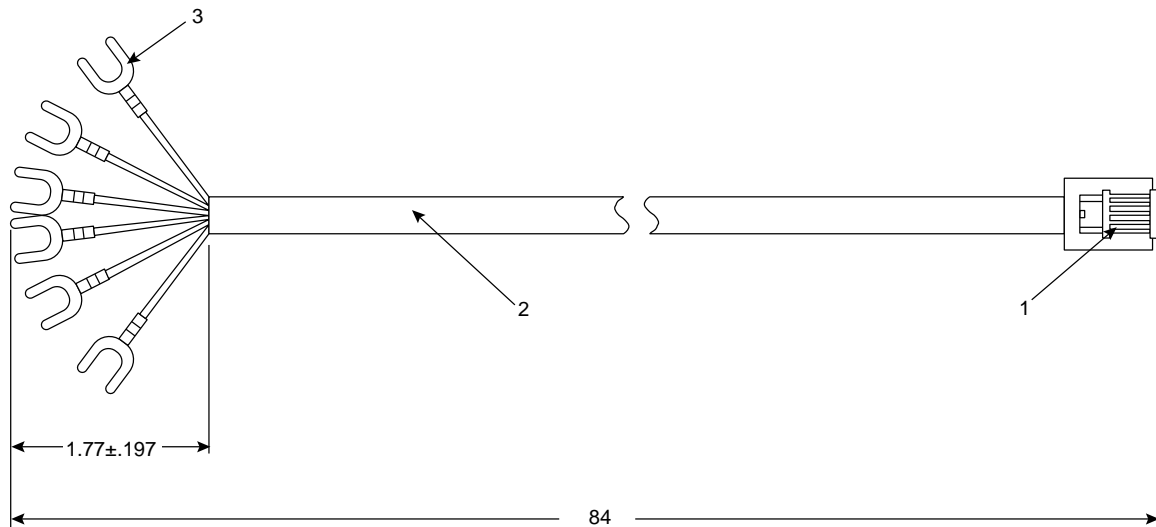


Specifications:

- Material: UL94V2
- Shell size: DB37

Your source for quality electronics. Toll-free full service

(800) 346-6873



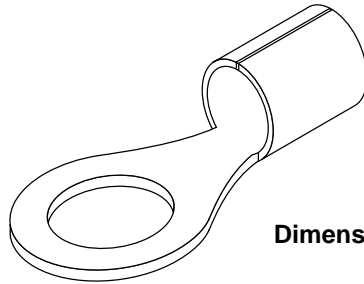
Wire system: 1 white
2 black
3 red
4 green
5 yellow
6 blue

Item	Description	Qty	Material	Treatment
1	Plug	1	6P6C	6 micro inch gold plated (selective)
2	Cable	1	26AWG (0.16 *7)	Ivory (or silver) 7 feet (length)
3	Terminal	6	Brass	Y-Type

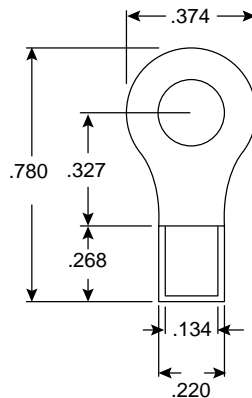
Your source for quality electronics. Toll-free full service

(800) 346-6873

<http://www.mouser.com>

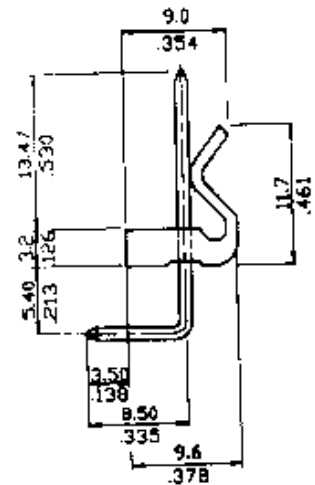
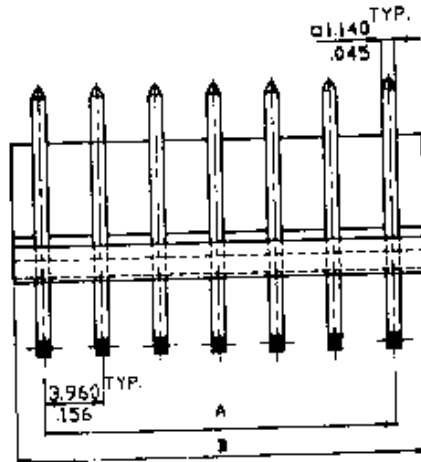
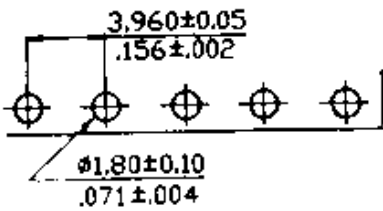
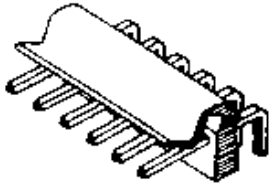





Dimensions (In.)

**Specifications:**

- Stud size: #10
- Rated current: 48A max.
- Material: copper (.039 thick)
- Seam: brazed

Your source for quality electronics. Toll-free full service
(800) 346-6873
<http://www.mouser.com>



-  UL Recognized No. E-2349
-  CSA Certified No. LR65731
-  TÜV Licensed No. R9052134

- * Stackable end to end
- * 1.14mm (.045") square pin or round pin
- * Polarized with friction lock
- * Nylon 6/6 UL94V-0

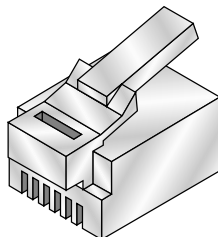
Dimensional & Ordering Information:

Circuits	Part No.	Dimension	
		A	B
2	155-9302	3.96 (1.56)	7.90 (.311)
3	155-9303	7.92 (.312)	11.90 (.469)
4	155-9304	11.88 (.468)	15.80 (.622)
5	155-9305	15.84 (.624)	19.80 (.780)
6	155-9306	19.80 (.780)	23.80 (.937)
10	155-9310	35.64 (1.403)	39.60 (1.559)

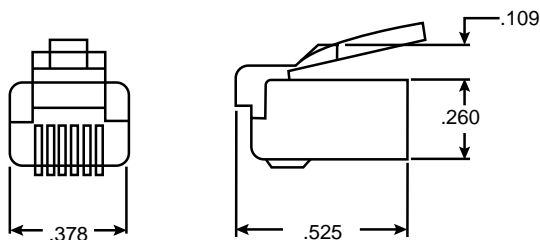
Your source for quality electronics. Toll-free full service

(800) 346-6873

<http://www.mouser.com>



Dimensions (In.)



Specifications:

- Gold plate: 50 microinches min. thickness
- Gold plate density: 17 grams/ cubic centimeter min.
- Electrical: 250VAC max. at 2 amps
- Dielectric withstanding: 500VAC
- Insulation resistance: 500MΩ
- Termination resistance: 35 max. after environmental test

Mechanical Specifications:

- Cable - to - plug tensile strength: 20 lbs. (89N) min.
- Durability: 200 mating cycles

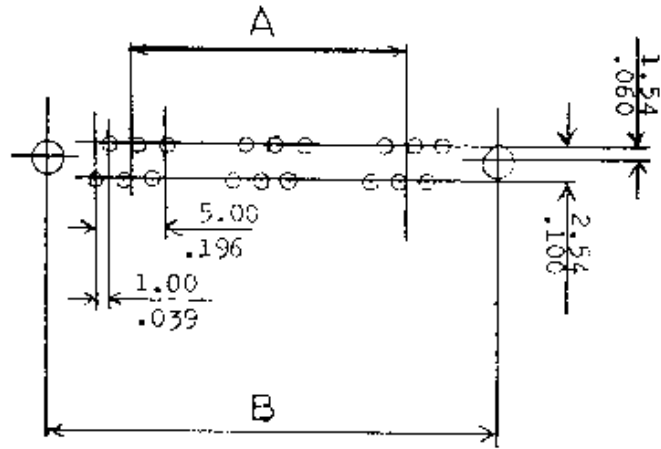
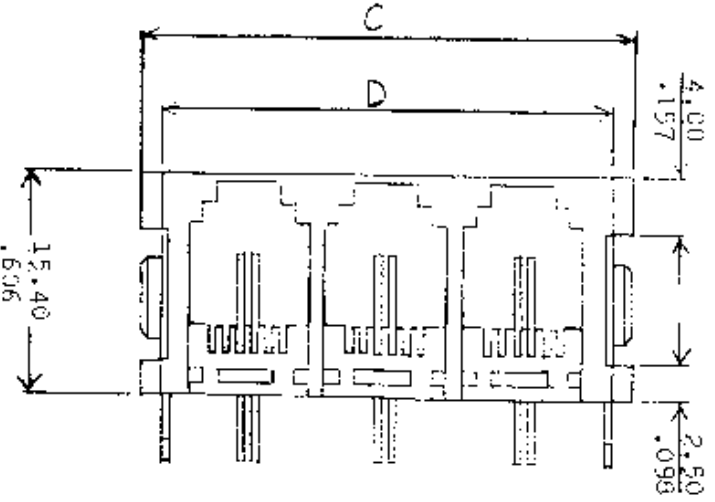
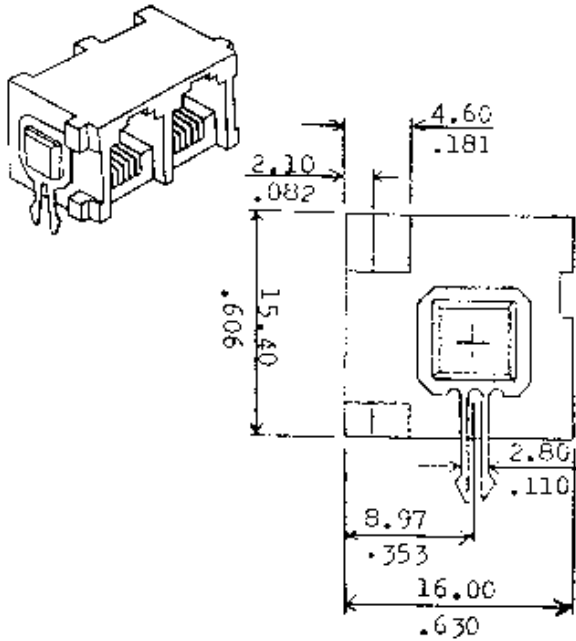
Material Specifications:

- Housing: Polycarbonate
- Contact blade: High strength copper alloy
Electro-plation is based on 100 microinches of nickel underplating
- Contact: 8% Phosphor bronze
- Operating temperature: -40°C to +125°C

* 623 type - 4 or 6 conduct of telephone to wall use

Mouser Stock No.	USOC Type	Positions Contacts	Western Electric Type *	Material	Color
154-7623-4	RJ11	6-4	623	6 micron gold plate contacts	Clear

**Your source for quality electronics. Toll-free full service
(800) 346-6873**



No. of Jacks	Dimension			
	A	B	C	D
2 Jacks	11.00 .433	25.20 .992	28.20 1.110	24.70 .972
3 Jacks	22.00 .866	36.20 1.425	39.20 1.543	35.70 1.405
4 Jacks	33.00 1.299	47.20 1.858	50.20 1.976	46.70 1.838
5 Jacks	44.00 1.732	58.20 2.291	61.20 2.409	57.70 2.271
6 Jacks	55.00 2.165	69.20 2.724	72.20 2.842	68.70 2.704
7 Jacks	66.00 2.598	80.20 3.157	83.20 3.275	79.70 3.137
8 Jacks	77.00 3.031	91.20 3.590	94.20 3.708	90.70 3.570

MOUSER STOCK NO.	DESCRIPTION
154-6002	6P4C 2 GANG
154-6002	6P6C 2 GANG
154-6003	6P4C 3 GANG
154-6003	6P6C 3 GANG
154-6004	6P4C 4 GANG
154-6004	6P6C 4 GANG
154-6005	6P4C 5 GANG
154-6005	6P6C 5 GANG
154-6006	6P4C 6 GANG
154-6006	6P6C 6 GANG
154-6007	6P4C 7 GANG
154-6007	6P6C 7 GANG
154-6008	6P4C 8 GANG
154-6008	6P6C 8 GANG

WESTERN ELECTRIC
6P4R11 PUR TYPE
4 OR 6 CONDUCTOR TYPE
TELEPHONE TO WALL USE
(P) POSITION OR IDENTITY PIN
(C) CONDUCTORS OR CONTACTS

FEATURES:

- WESTERN ELECTRIC 623 TYPE
- 4 OR 6 CONDUCTORS
- 2 OR 8 GANG ASSEMBLIES
- GRAY COLOR



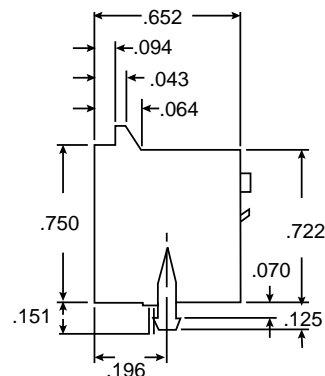
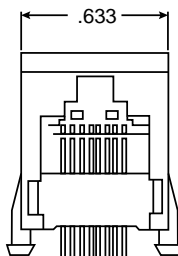
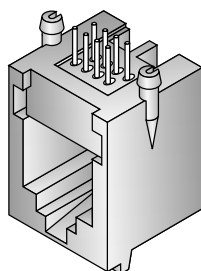
SPECIFICATIONS:

- 50 MICRON GOLD PLATED CONTACTS
- FCC/CFR 47 PART 68 SUB PART F
- UL 1863-1990
- UL 94V-0 (25% GLASS FILLED NYLON 66)

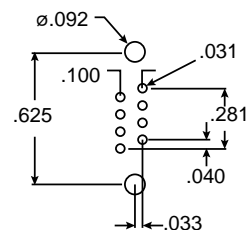
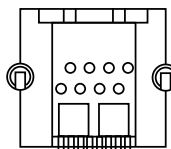
Your source for quality electronics. Toll-free full service

(800) 346-6873

<http://www.mouser.com>



Dimensions (In.)



PCB Layout
Topview

Material Specifications:

- Housing: PBT added 15% glass fiber, 94V-0
- Color: Gray
- Contact: Phosphor bronze alloy, gold plating 6 u"

Electrical Specifications:

- Insulation resistance: 500MΩ min.
- Contact resistance: 10mΩ max. per contact
- Dielectric withstanding voltage: 1000V RMS 60Hz
- Current rating: 1.5 amps

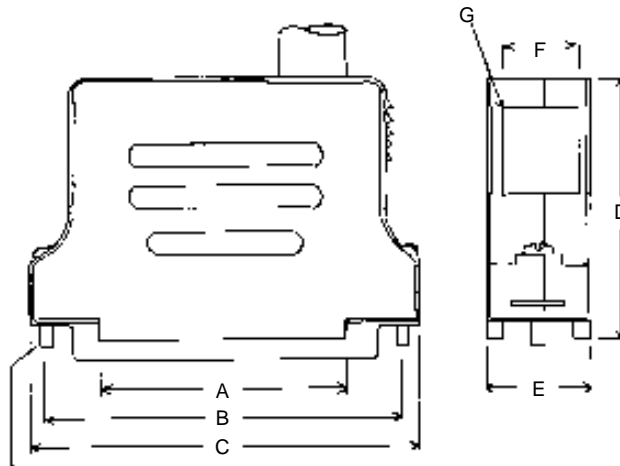
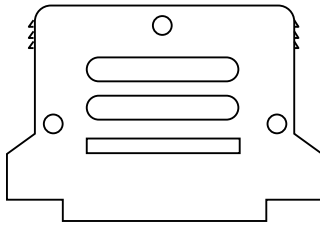
Mechanical Specifications:

- Insertion force: 2 Contacts 350g
4 Contacts 500g
6 Contacts 750g
8 Contacts 900g
- Retention strength: 5kgs between jack and plug

* 641 type - 8 conductor for telephone to wall or modern dialer use.

Mouser Stock No.	USOC Type	Positions Contact	Western Electric Type*	Material	Color
154-7641PCB	RJ45	8-8	641PCB	6 micron gold plate contacts	Gray

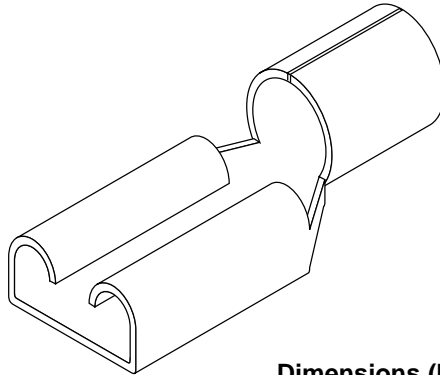
Your source for quality electronics. Toll-free full service
(800) 346-6873



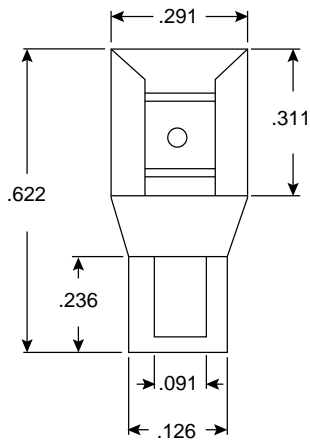
Mouser Stock No.	Description
152-6209	9 Pin plastic hood w/lockable screws
152-6215	15 Pin plastic hood w/lockable screws
152-6225	25 Pin plastic hood w/lockable screws
152-6237	37 Pin plastic hood w/lockable screws
152-6250	50 Pin plastic hood w/lockable screws

Mouser Stock No.	Dimensions (In.)						
	A ±.008	B ±.008	C ±.008	D ±.008	E ±.008	F ±.008	G Max.
152-6209	.398	.984	1.228	1.378	.630	.449	.354
152-6215	.630	1.311	1.579	1.599	.630	.449	.354
152-6225	1.098	1.850	2.100	1.811	.630	.449	.500
152-6237	1.748	2.500	2.744	1.811	.724	.472	.500
152-6250	1.654	2.406	2.650	1.811	.728	.551	.591

Your source for quality electronics. Toll-free full service
(800) 346-6873



Dimensions (In.)



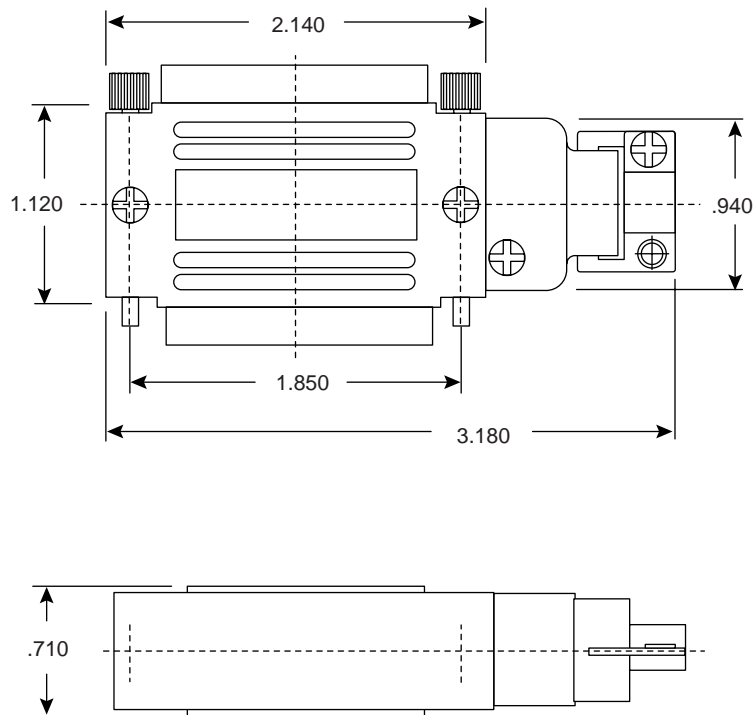
Specifications:

- Material: brass
- Accepts nema tab: .032 x .250
- Wire range: 16 - 14 AWG
- Material thickness: .016

Your source for quality electronics. Toll-free full service

(800) 346-6873

<http://www.mouser.com>

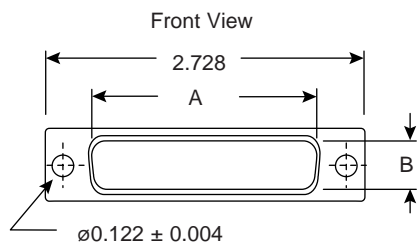


Dimensions (In.)

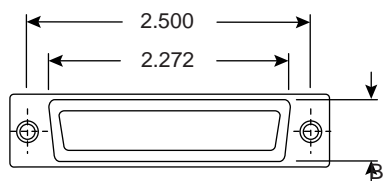
Specifications:

- Type: piggy back
- Housing: nickel plated ABS plastic
- Jack screws: nickel plated steel
- Cable clamp: nickel plated steel

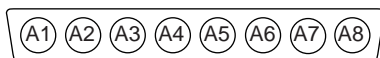
152-FM8W8P



Back View

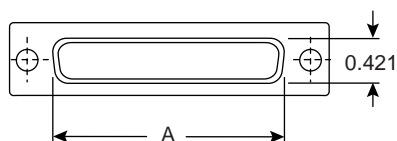


Plug Layout

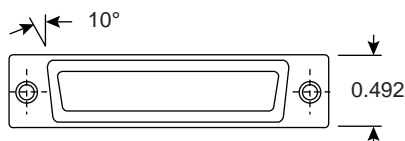


152-FM8W8S

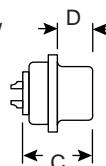
Front View



Back View



Side View

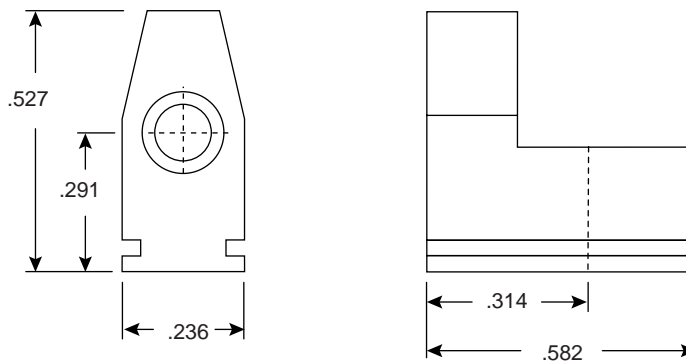
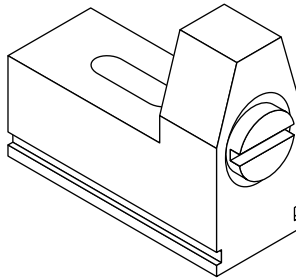


Dimensions (In.)

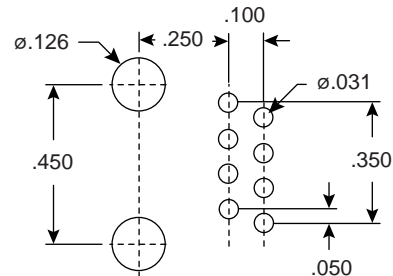
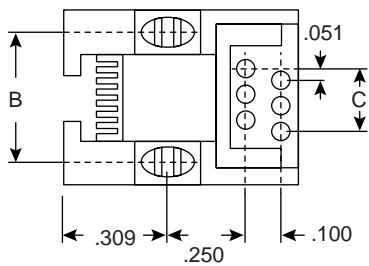
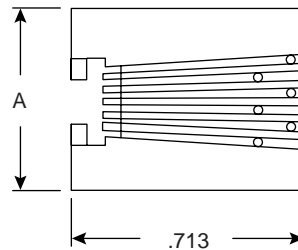
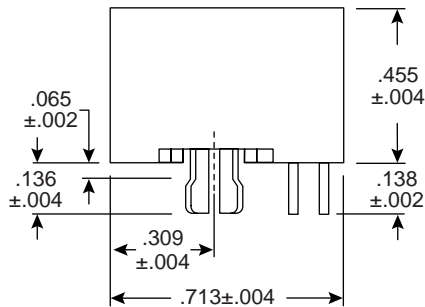
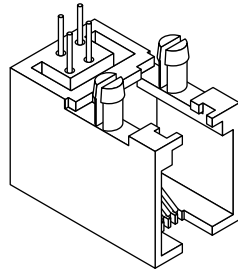
Specifications:

- Type: mixed contact
- Insulator material: thermoplastic glass filled UL 94-V0
- Shell material: steel
- Shell size: 37
- Finish: tin plated
- Temperature range: -67°F ~ +311°F (-55°C ~ +155°C)
- Insulation resistance: 5000MΩ (contact to contact)
- Volume resistivity: 10¹⁶Ω/cm (ASTM-D 257)
- Dielectric strength: 50KV/mm

Mouser Stock No.	Type	Dimensions (In.)			
		A	B	C	D
152-FM8W8P	Plug	2.177	0.323	0.488	0.236
152-FM8W8S	Socket	2.157	0.307	0.492	0.244

**Dimensions (In.)****Specifications:**

- Type: right angle D-Sub connector mounting bracket kit
- Kit includes: 2 brackets; 2 tapping screws for mounting holes
- Material: plastic
- Color: black
- Mounting slot: uses 4-40UNC threaded screws
- Shell sizes: 9, 15, 25, 37



PC Foot Print

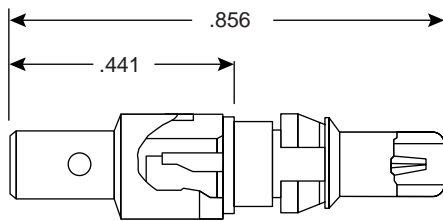
Dimensions (In.)

Specifications:

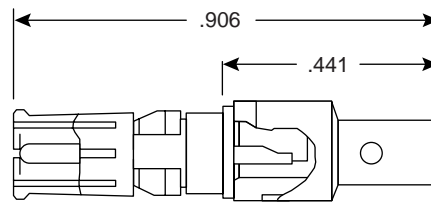
- Type: with PCB leads
- Housing: 25% glass filled FR50 UL94V-0
- Color: black
- Contact: ø0.45mm phosphor bronze, 50 micron gold plated nickel

Mouser Stock No.	USOC Type	Western Ele. Type	Positions-Contacts	No. of Pos.	Dimensions (In.)		
					A	B	C
154-UL6443	RJ-11	616PCB	4-4	4	.440	.300	.150
154-UL6643	RJ-11	623PCB	6-4	6	.520	.400	.250
154-UL6663	RJ-12	623PCB	6-6	6	.520	.400	.250
154-UL6883	RJ-45	641PCB	8-8	8	.600	.450	.350

Plug 152-FMX003P



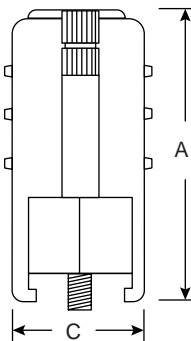
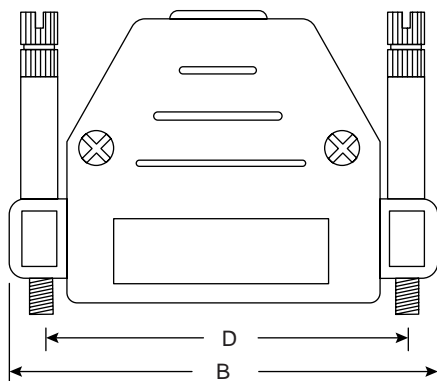
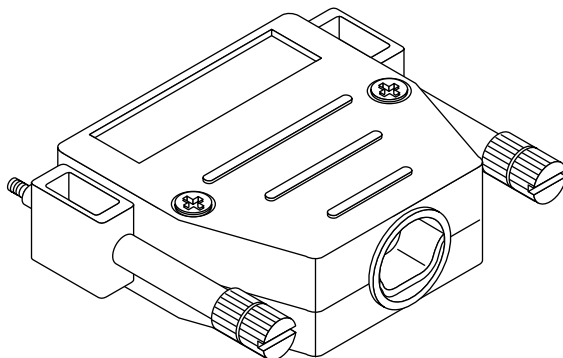
Receptacle 152-FMX003S



Dimensions (In.)

Specifications:

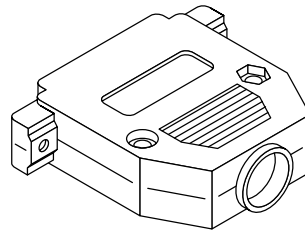
- Impedance: 75Ω
- Insulation: 10^7 Meg Ω
- Contact resistance: 2.7 milli Ω
- VSWR: 1 GHZ ca. 1.1/-2 GHZ ca. 1.2
- Operating voltage: 500V
- Withstand voltage: 750V
- Current rating: 2A
- Frequency range: 0~2
- Temperature range: -55°C ~ $+155^{\circ}\text{C}$
- Insertion force: 7N
- Insertion cycles: 500 min
- Conductor: Cu alloy
- Retaining ring: Cu Be
- Insulator: PTFE



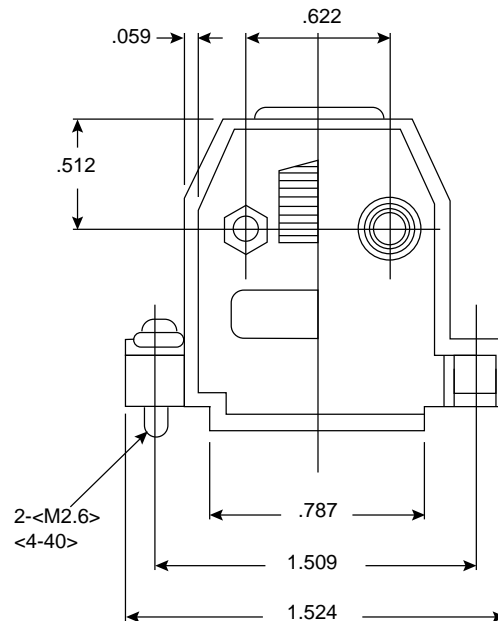
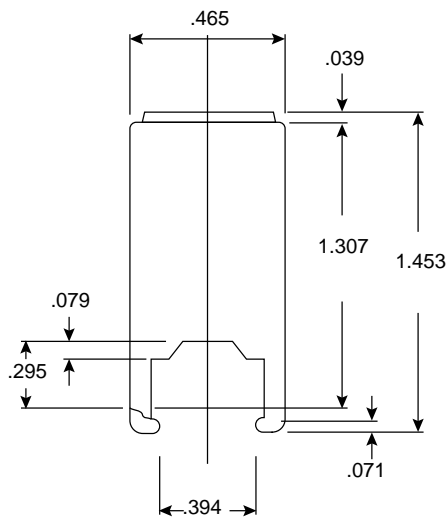
Specifications:

- Type: 2 pc. shielded
- Flammability rating: UL94V
- Hood plating: nickel (For EMI shielding)
- Hood color: black

Mouser Stock No.	Shell Size	Outline Dimensions (In.)			
		A	B	C	D
152-1409	9	.910	1.220	.700	.980
152-1415	15	1.300	1.570	.700	1.310
152-1425	25	1.460	2.200	.700	1.850
152-1437	37	1.540	2.800	.700	2.500
152-1450	50	1.540	2.680	.750	2.400

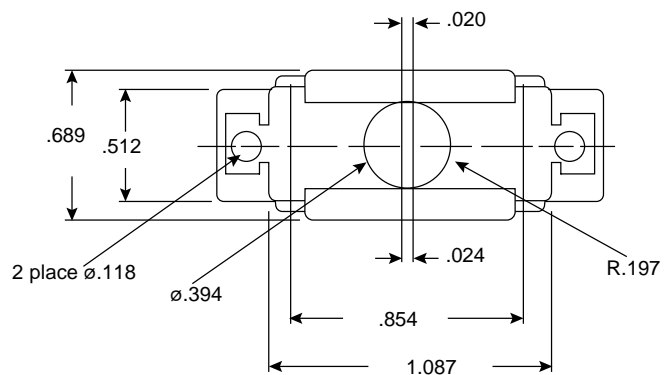


Dimensions (In.)



Material Specifications:

- Designed to fit our 152 and 156 connectors
- RF/EMI shielded
- Straight cable exit
- Nickel over copper plating
- Tolerance: $\pm .004$

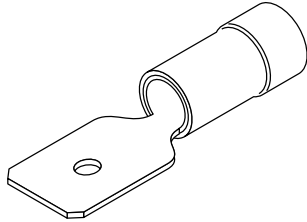


Your source for quality electronics. Toll-free full service

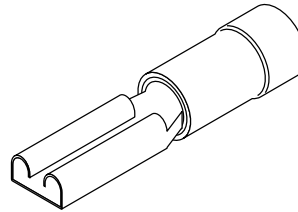
(800) 346-6873

<http://www.mouser.com>

159-6250



159-6251



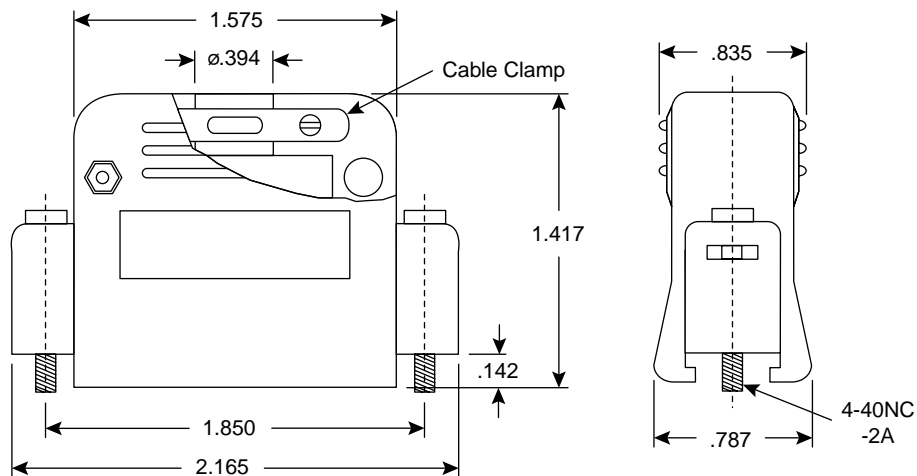
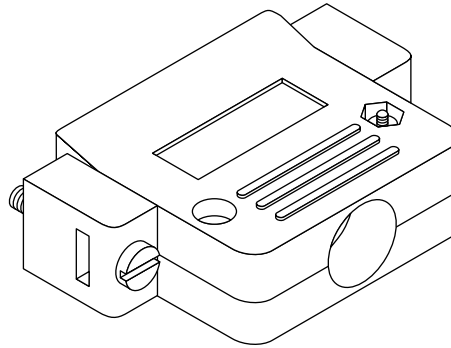
Specifications:

- Wire range: 16 - 14 AWG
- Insulation color: blue
- Insulation material: vinyl
- Current rating: 15 ampere
- Temperature rating: 75°C 300V max.
- Temperature material: brass

Your source for quality electronics. Toll-free full service

(800) 346-6873

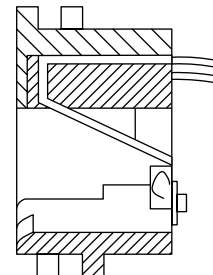
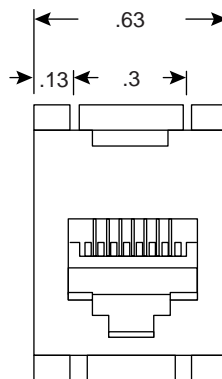
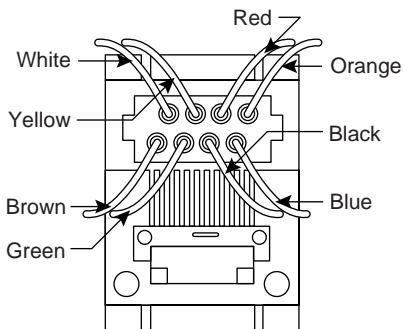
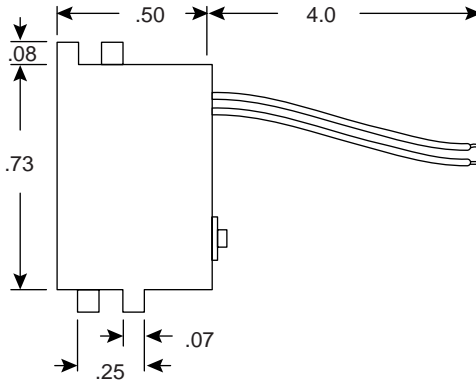
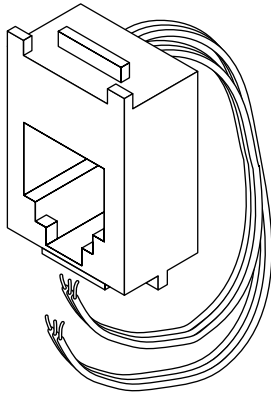
<http://www.mouser.com>



Dimensions (In.)
(except where noted)

Specifications:

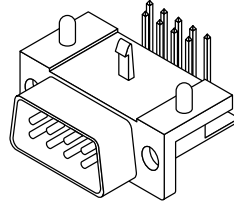
- Type: lockable, 2 piece with screw-on connector
- Shell size: DB25
- FTZ approval number: 386TV1
- Color: gray



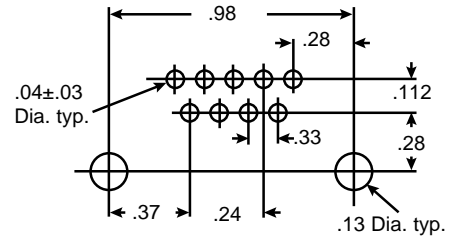
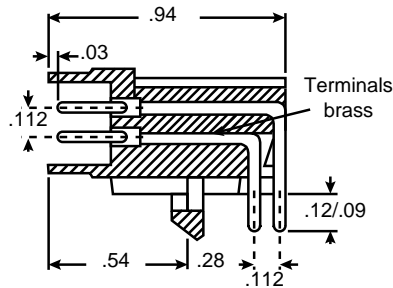
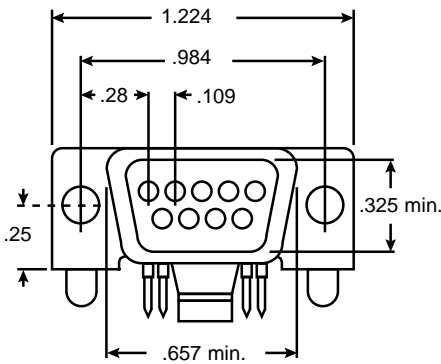
Dimensions (In.)

Specifications:

- Wire leads: phosphor bronze alloy 1.77"
- Housing: ABS molding compound UL-94V-0
- Color: gray
- Positions-contacts: 8-8
- Contacts: 6 micron gold plate (154-7641D, 7647)
50 micron gold plate (154-UL641D)
- USOC type: RJ45
- Western electric type: 641D



Dimensions (In.)



Material Specification:

- Housing: UL94V-2 black nylon-66V2
- Insulator: PBT + 30% glass fiber (UL94V-0)
- Contact: brass with 5μ gold plating

Electrical Specification:

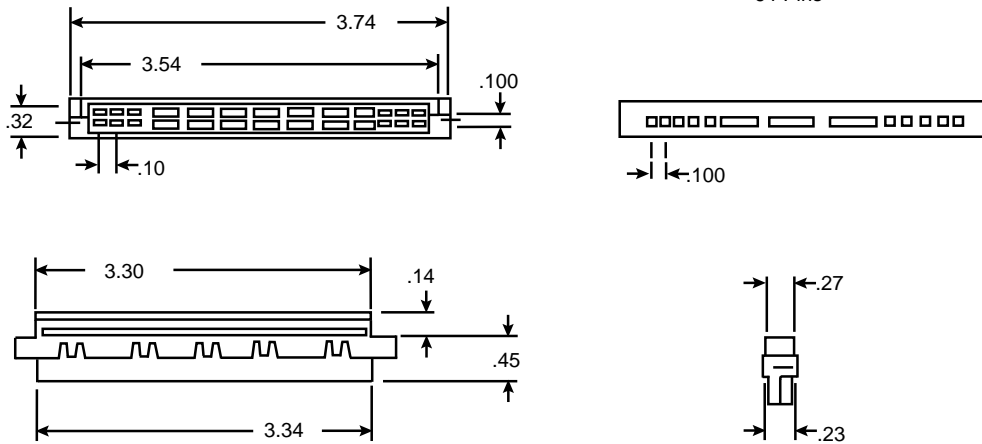
- Current rating: 3 amp
- 500 life cycle
- Voltage rating: 800VAC (1 min.)
- Insulation resistance: 5000MΩ minute
- Operating temperature: -55°C to +105°C

Your source for quality electronics. Toll-free full services

(800)346-6873

<http://www.mouser.com>

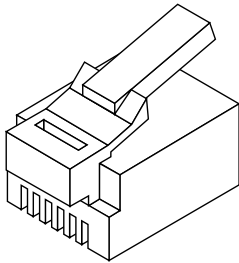
Dimensions (In.)



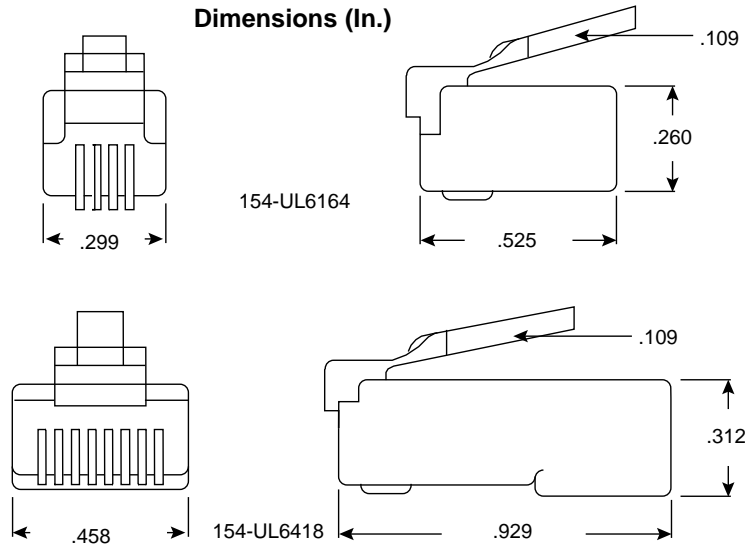
Technical Data

- Insulating material: thermoplastic (UL 94-VO)
- Contact material: phosphorbronze
- Contact resistance: < 20m Ω
- Insulation resistance: > 10¹² Ω
- Maximum voltage: 1000V
- Maximum current rating: 1A
- Temperature range: -55°C to +125°C

Your source for quality electronics. Toll-free full service
(800) 346-6873



Dimensions (In.)



Electrical Specifications:

- 250VAC max. @ 2 amps
- Dielectric withstanding: 500VAC
- Insulation resistance: 500M Ω
- Termination resistance: 35 max. after environmental test
- Operating temperature: -40°C to +125°C

Mechanical Specifications:

- Cable-to-plug tensile strength-20 lbs. (89N) min.
- Durability: 200 mating cycles

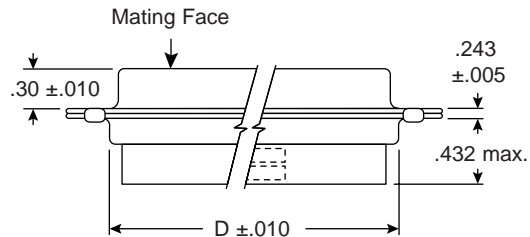
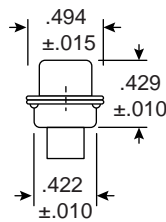
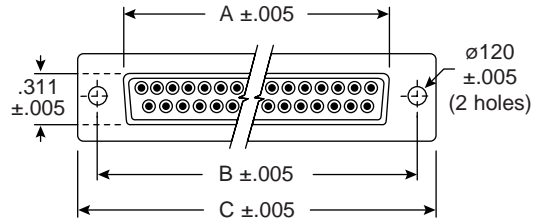
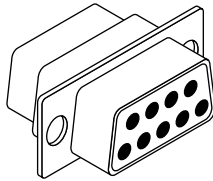
Material Specifications:

- Housing material: polycarbonate (PC)
- 94V-0 (for UL1863 DUXR2)
- 94V-2 (for UL498 RTRT2)
- UL No. E919153
- Contact blade: high strength copper alloy
- Contact material: 8% phosphor bronze

Your source for quality electronics. Toll-free full service

(800) 346-6873

<http://www.mouser.com>

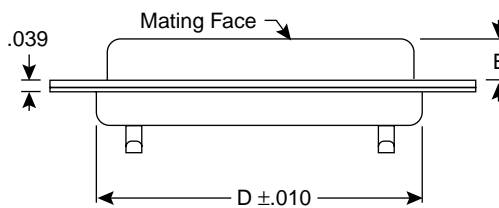
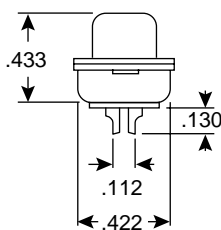
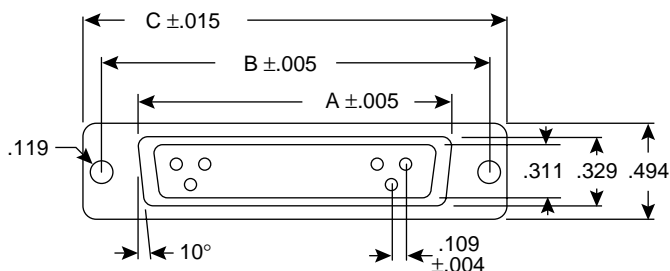
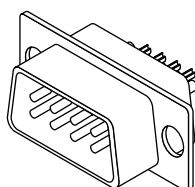


Dimensions (In.)

Mouser Stock No.	No. of Contacts	Dimensions (In.)			
		A	B	C	D
156-1409	9	.643	.984	1.21	.759
156-1415	15	.971	1.31	1.54	1.08
156-1425	25	1.51	1.85	2.09	1.63
156-1437	37	2.16	2.50	2.73	2.27

Specifications:

- Type: receptacle housing
- Shell: steel, zinc-plated or tin-plated
- Insulator: glass filled nylon UL-94-V0
- Current rating: 5A
- Dielectric strength: 1000V for one minute
- Insulator resistance: 1000MΩ min. @ 500VDC
- Temperature: -55°C~+105°C

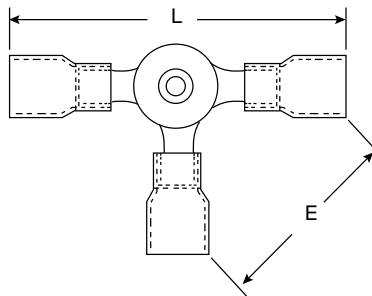
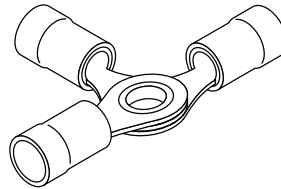


Dimensions (In.)

Specifications:

- Shell: zinc plated steel
- Pin contact: 1.1-1.5 microns gold plated nickel
- Insulator: PBT & glass fibre reinforced UL-94-VO
- Current rating: 5A
- Dielectric strength: 1000V for 1 minute
- Insulator resistance: 1000MΩ min. @ 500VDC
- Temperature: -55°C ~ +105°C

Mouser Stock Number			Dimension (In.)				
Plugs	A	Receptacles	A	B	C	D	E
156-1209	.643	156-1309	.666	.984	1.213	.759	.235
156-1215	.971	156-1315	.994	1.312	1.541	1.083	.235
156-1225	1.511	156-1325	1.534	1.852	2.088	1.625	.230
156-1237	2.159	156-1337	2.182	2.500	2.729	2.272	.230

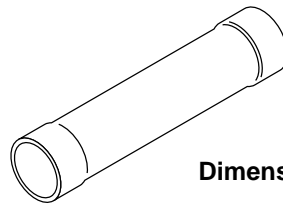


Mouser Stock No.	Wire Range	Color	Insulation	(L) In.	(E) In.
159-2217	22-16	Red	Vinyl	1.260	.787
159-1619	16-14	Blue	Vinyl	1.339	.827
159-1212	12-10	Yellow	Vinyl	1.693	.984

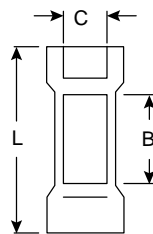
Your source for quality electronics. Toll-free full services

(800)346-6873

<http://www.mouser.com>



Dimensions (In.)



Specifications:

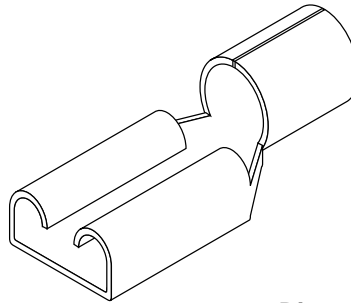
- Maximum electrical rating: 75°C 300 volts max.
- Connector material: brass
- Insulation material: vinyl

Mouser Stock No.	Wire Range		Dimensions In.			Max. Electric Current	Insulation Color
	AWG	mm ²	B	C	L		
159-1213	12-10	5.5	.591	.134	1.024	24 Ampere	Yellow
159-1614	16-14	2	.591	.091	1.024	15 Ampere	Blue
159-1622	22-16	1.25	.591	.067	1.024	10 Ampere	Red

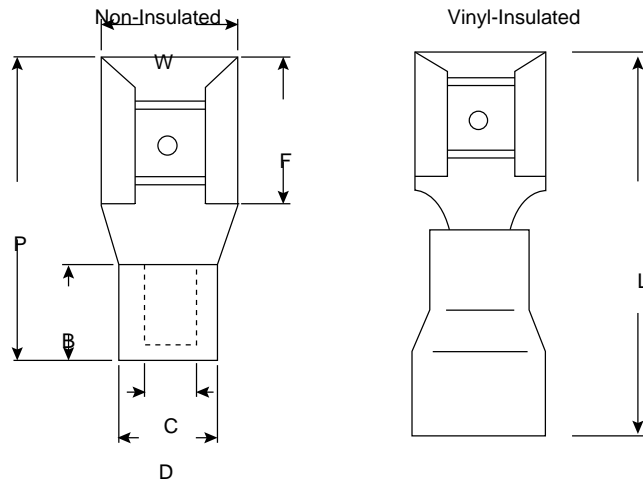
Your source for quality electronics. Toll-free full service

(800) 346-6873

<http://www.mouser.com>



Dimensions (In.)



Specifications:

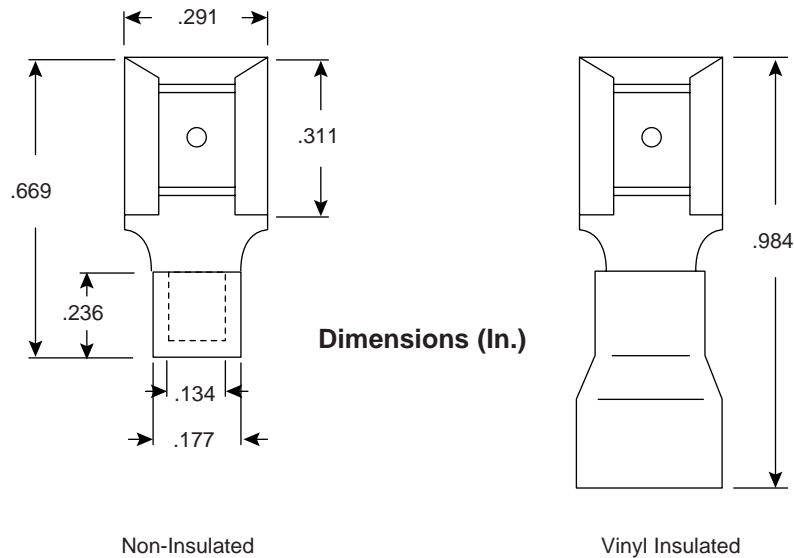
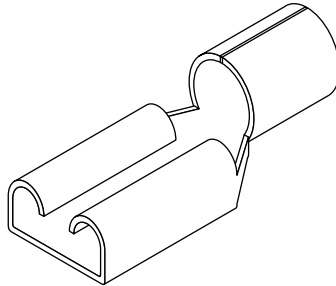
- Wire range: 22 - 16 AWG (1.25mm²)
- Maximum electric current: 10 ampere
- Maximum electrical rating: 75°C 300 volts max.
- Insulation color: red
- Terminal material: brass
- Insulation material: vinyl
- Double crimp: sleeve on barrel
- Barrel dimension: B= .197 (5.0mm)
C= .067 (1.7mm)
D= .106 (2.7mm)

Mouser Stock No.	NEMA Tab (In.)	Material Thickness (In.)	Dimensions (In.)			
			W	F	P	L
159-2187	.020 x .187	.014	.220	.256	.551	.748
159-2205	.020 x .205	.014	.256	.248	.622	.787
159-2211	.020 x .110	.012	.150	.252	.551	.748
159-2251	.032 x .250	.016	.291	.311	.669	.827

Your source for quality electronics. Toll-free full service

(800) 346-6873

<http://www.mouser.com>

**Specifications:**

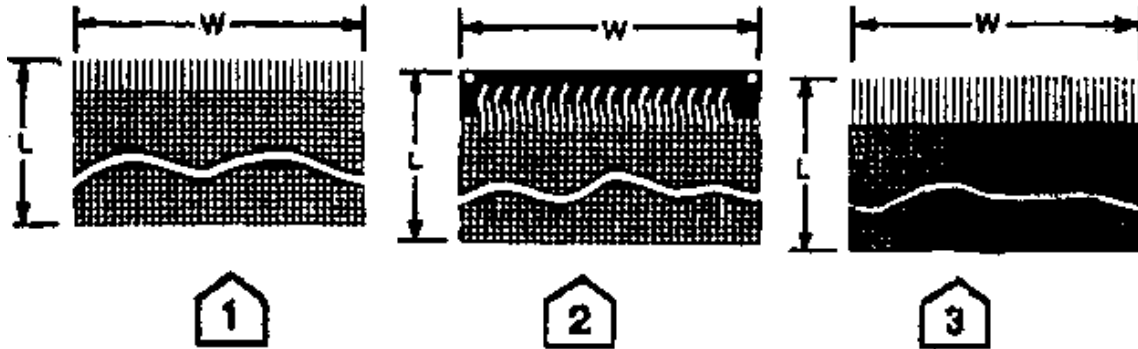
- Wire size: 12-10AWG (5.5mm²)
- Electric current: 24A max.
- Electrical rating: 75°C 300V max.
- Insulation color: yellow
- Terminal material: brass
- Insulation material: vinyl
- Double crimp: sleeve on barrel
- Nema tab: .032 x .250 inches
- Material thickness: .016 inches

MOUSER[®] ELECTRONICS

153-1305
153-1307
153-1308
153-1309

Grid Boards 6.3 x 3.9

MOUSER STOCK NO. 153-1305, 1307, 1308, 1309



- AVAILABLE IN Y MATRIX OR PAD-PER-HOLE DESIGN
- FOR EDGE CARD, EUROCARD OR PLAN
- COPPER CLAD 1 SIDE
- .100 GRID SPACING
- .040" HOLE DIAMETER
- 1/16 (.06) THICKNESS
- HIGH QUALITY EPOXY PAPER
- 37 HOLE WIDE

Mouser Stock No.	FIG.	TYPE	DESCRIPTION	WIDTH (IN.)	LTH (IN.)
153-1305	1	B	Y MATRIX, .100" CARD EDGE FINGERS	3.94	0.29
153-1307	2	A	PAD-PER-HOLE, FOR 32 PIN EUROCARD	3.94	0.29
153-1308	2	A	PAD-PER-HOLE, FOR 64 PIN EUROCARD	3.94	0.29
153-1309	3	A	PAD-PER-HOLE, .100" CARD EDGE FINGERS	3.94	0.29

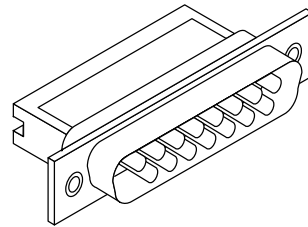
Your source for quality electronics. Toll-free full service

(800) 346-6873

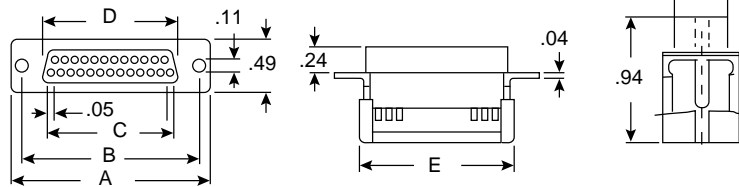
<http://www.mouser.com>

Grid Boards 6.3 x 3.9

8- 041556



Dimensions (In.)



Material Specifications:

- Shell: steel zinc plated
- Socket contact: phosphor bronze
gold plated over nickel 3 micro/inch
- Insulator: PBT and 30% glass fiber reinforced UL-94-VO

Electrical Specifications:

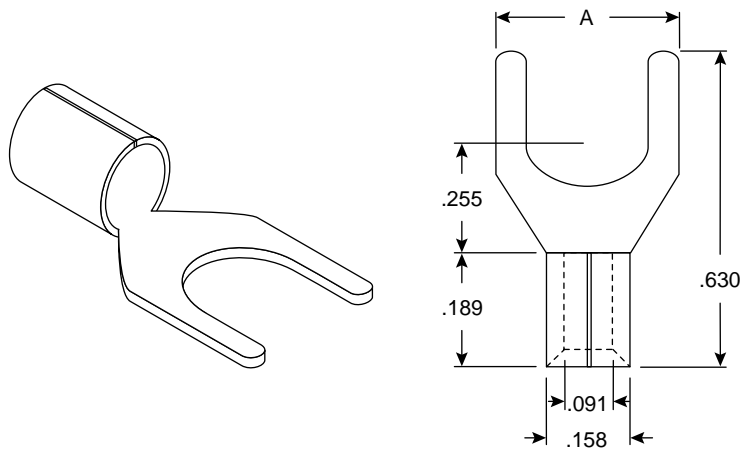
- Current rating: 1A
- Dielectric strength: 1000V for 1 minute
- Insulator resistance: 1000MΩ min. @ 500VDC
- Temperature: -55°C to +105°C

Mouser Stock No.	Pin	A	B	C	D	E
156-1609	9M	1.2	.98	.43	.70	.65
156-1615	15M	1.5	1.3	.76	.98	.97
156-1625	25M	2.1	1.8	1.3	1.6	1.5
156-1637	37M	2.7	2.5	1.9	2.2	2.2

Your source for quality electronics. Toll-free full services

(800)346-6873

<http://www.mouser.com>

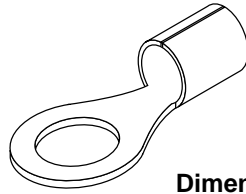


Dimensions (In.)

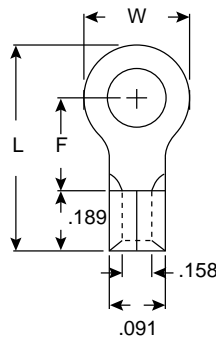
Specifications:

- Type: non-insulated spade
- Wire range: 16~14 A.W.G.
- Current: 27A max.
- Material: copper
- Thickness: .032"
- Seam: brazed

Mouser Stock No.	Stud Size	Dim.(In.)
		A
159-1635	#6	.236
159-1637	#8	.283
159-1639	#10	.374



Dimensions (In.)



Specifications:

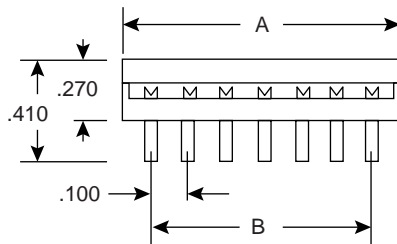
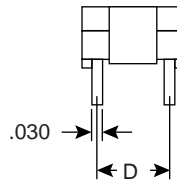
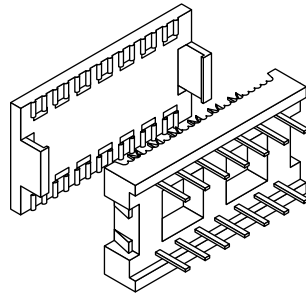
- Wire range: 16 - 14 AWG
- Material: copper
- Material thickness: .032 (In.)

Mouser Stock No.	Stud Size (In.)	Dimensions (In.)		
		W	L	F
159-1627	4	.260	.484	.189
159-1629	6	.260	.484	.169
159-1631	8	.260	.630	.276
159-1632	10	.374	.661	.286
159-1633	1/4	.472	.858	.433
1591634	5/16	.472	.858	.433

Your source for quality electronics. Toll-free full service

(800) 346-6873

<http://www.mouser.com>



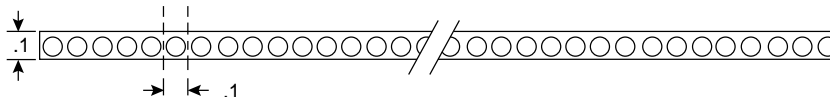
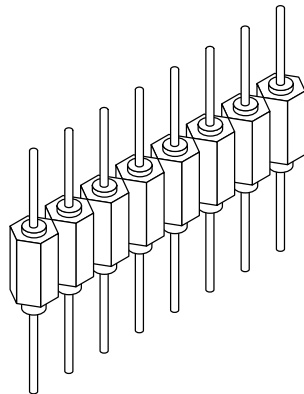
Top View

Dimensions (In.)

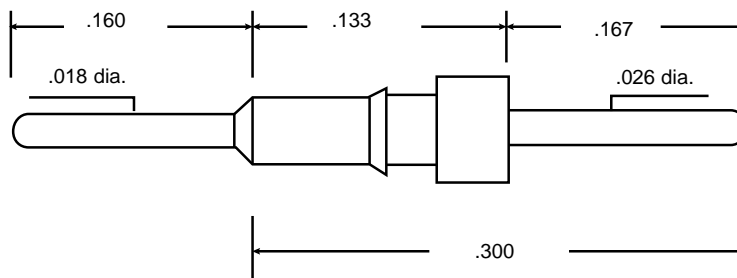
Specifications:

- Type: IDC DIP flat cable plugs
- Current rating: 1A
- Breakdown voltage: 500VDC
- Temperature rating: -55°C ~ +105°C

Mouser Stock No.	No. of Pins	Pin Spacing	Dimensions (In.)			
			A	B	C	D
151-2P14	14	.100 x .300	.810	.600	.420	.300
151-2P16	16	.100 x .300	.910	.700	.420	.300
151-2P24	24	.100 x .600	1.300	1.100	.720	.600
151-2P40	40	.100 x .600	2.100	1.900	.720	.600



Dimensions (In.)



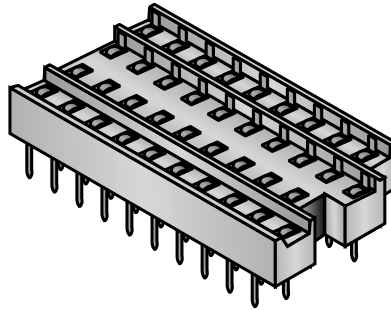
Specification:

- Current rating: 3A
- Temperature range: -55°C to +125°C
- Flammability rating: UL94V-0
- No. of pins: 32
- Plating: gold
- Pin spacing (In.): .100

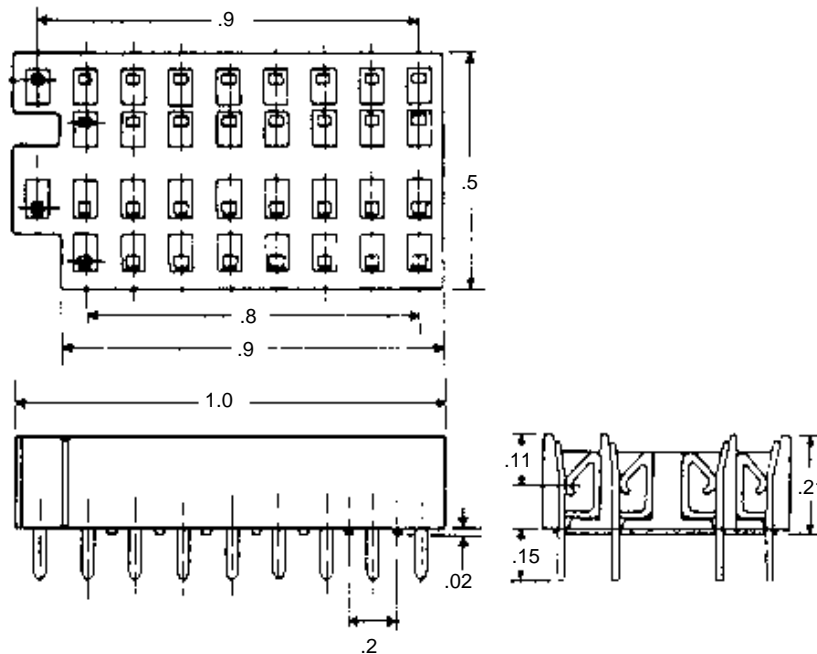
Your source for quality electronics. Toll-free full services

(800)346-6873

<http://www.mouser.com>



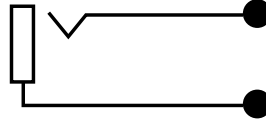
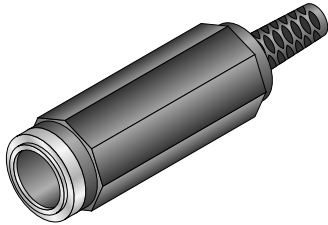
Dimensions (In.)



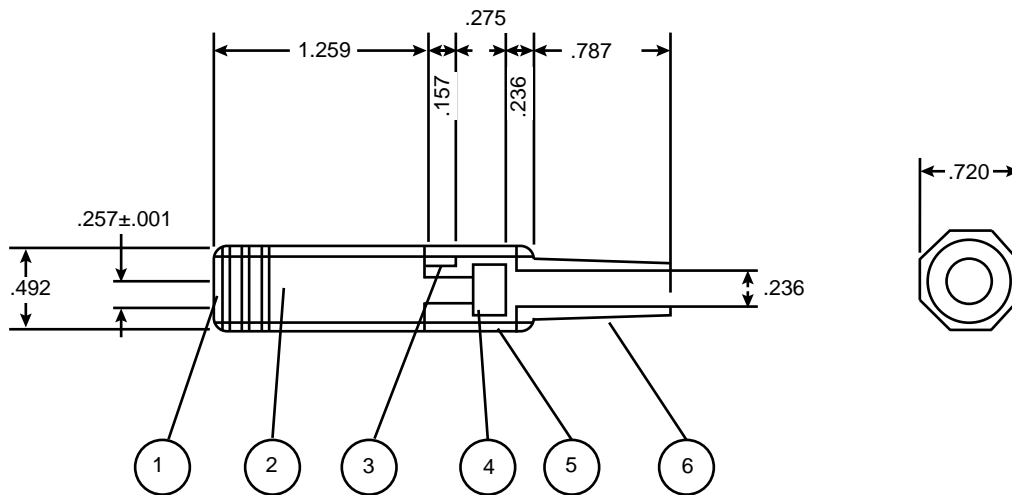
Specification:

- Flammability rating: UL94V-0
- Contact material: Tin plated phosphor bronze
- Contact rating: 1.0 AMP
- Contact resistance: 1.0m Ω
- Temperature range: -65°C to +150°C
- 20Pins

Your source for quality electronics. Toll-free full services
(800)346-6873



Dimensions (In.)

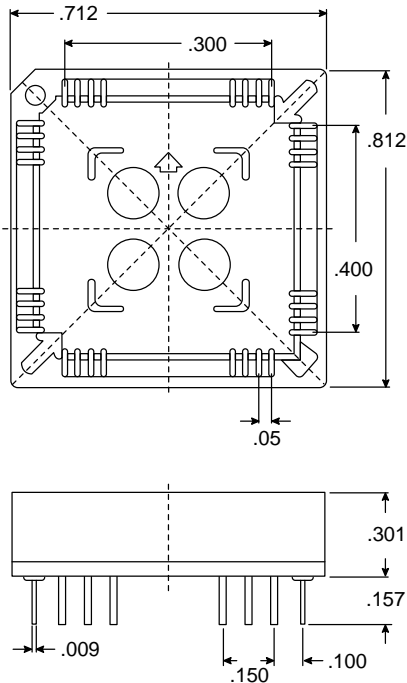
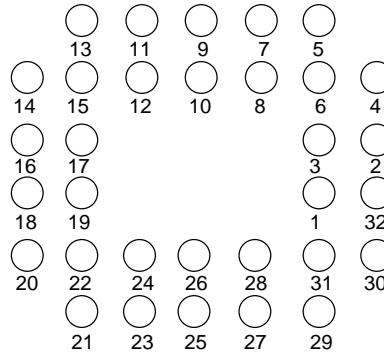
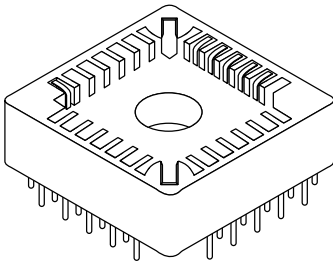


Specifications:

- Breakdown voltage: 250VAC for one minute
- Insulation resistance: 50MΩ min. @ 100VDC
- Accepts cable w/ 6.0mm O.D.

	Part Name	Qty	Material Finish
1	Tip	1	Nickel plated
2	Body	1	PPO
3	Contact Spring	1	Nickel plated
4	Terminal	1	Nickel plated
5	Cap	1	PE
6	Strain relief	1	PVC

Your source for quality electronics. Toll-free full service
(800) 346-6873



Dimensions (In.)

Specifications:

- Voltage rating: 100VAC RMS/150VDC
- Current rating: 1 amp
- Contact resistance: 30mΩ max
- Insulation resistance: 1000MΩ min at 100VDC
- Withstanding voltage: 600VAC RMS for 1 minute
- Operating temperature: -55°C to +125°C
- Applied (Wave soldering): +240°C (max 15 secs)
- Durability: 100cycles
- Vibration: 10,000 to 20,000Hz, 5Gs
- Insertion force: 170 gms per pin ±30gms
- Contact material: Phosphor bronze
- Insulator Material: 30% glass filled PBT
30% glass filled PPS
- Contact to contact capacitance: 1 picotared
- Contact plating: 3-5 microns tin over copper

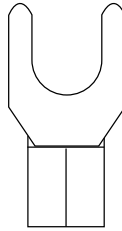
* Rectangular Socket

Mouser Stock No.	No. of Contacts	Contact Plating	Mounting Type	No. of Pins
* 151-1032	32	Tin	Thru-hole	32
* 151-1033	32	Gold	Thru-hole	32

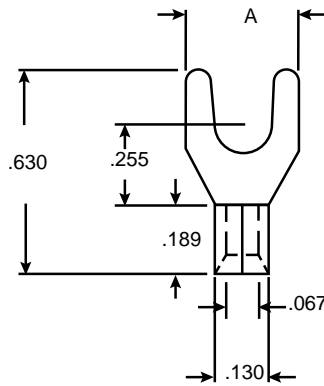
Your source for quality electronics. Toll-free full services

(800)346-6873

<http://www.mouser.com>



Dimensions (In.)



Wire Range: 22-16 AWG (1.25mm²)

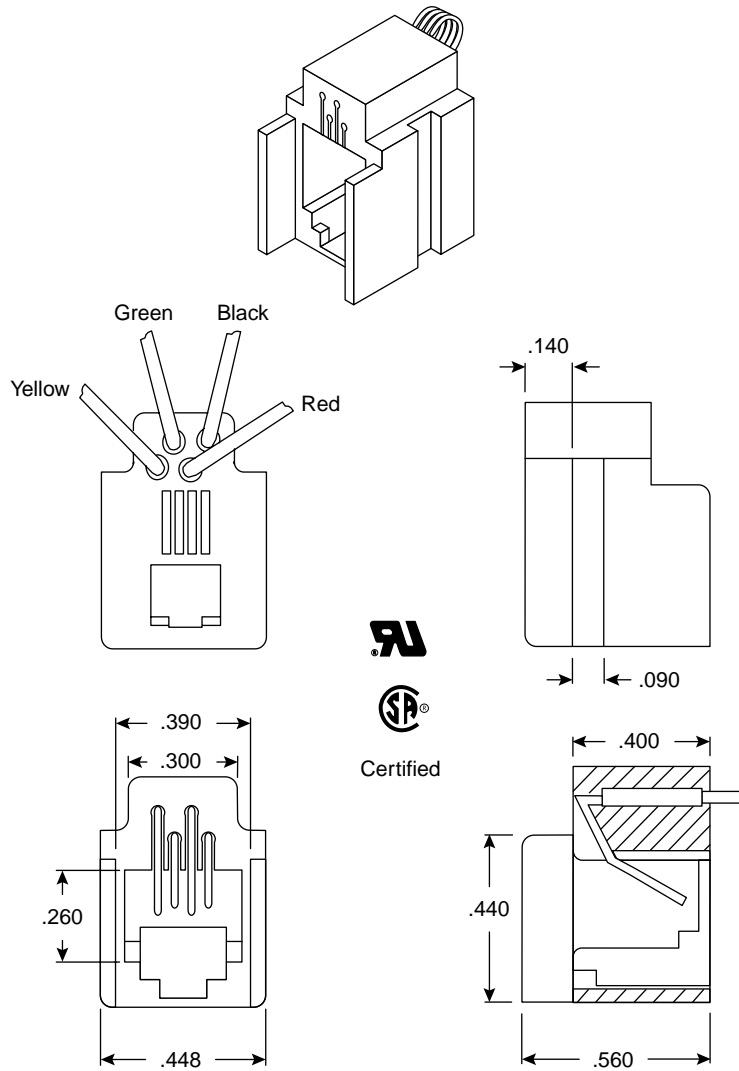
- Insulation color: red
- Material: copper
- Material thickness: .032 (0.8mm)

Mouser Stock No.	Stud Size	A
159-2232	#6 3.7mm	.252
159-2233	#8 4.3mm	.285
159-2234	#10 5.3mm	.374

Your source for quality electronics. Toll-free full service

(800) 346-6873

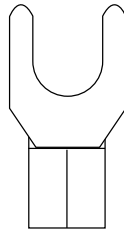
<http://www.mouser.com>



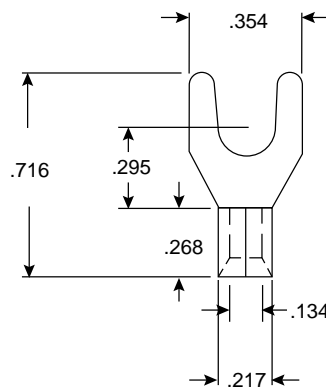
Dimensions (In.)

Specifications:

- Type: modular phone with 4" leads
- Material: 50 micron gold plate contacts
- USOC type: RJ-11
- Western Electric type: 616M
- Positions contacts: 4-4
- Color: gray



Dimensions (In.)



Wire Range: 12-10 AWG (5.5mm²)

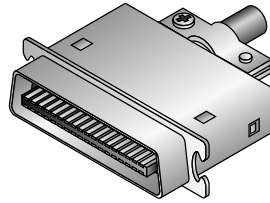
- Insulation color: yellow
- Material: copper
- Material thickness: .039 (1.0mm)

Mouser Stock No.	Stud Size
159-1222	#8
159-1223	#10

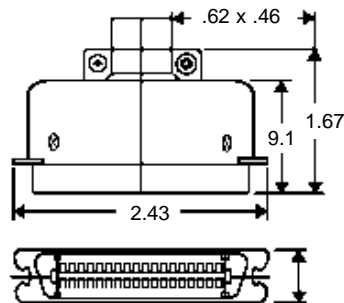
Your source for quality electronics. Toll-free full service

(800) 346-6873

<http://www.mouser.com>



Dimensions (In.)



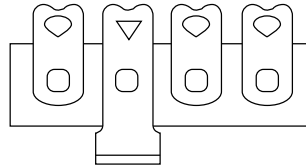
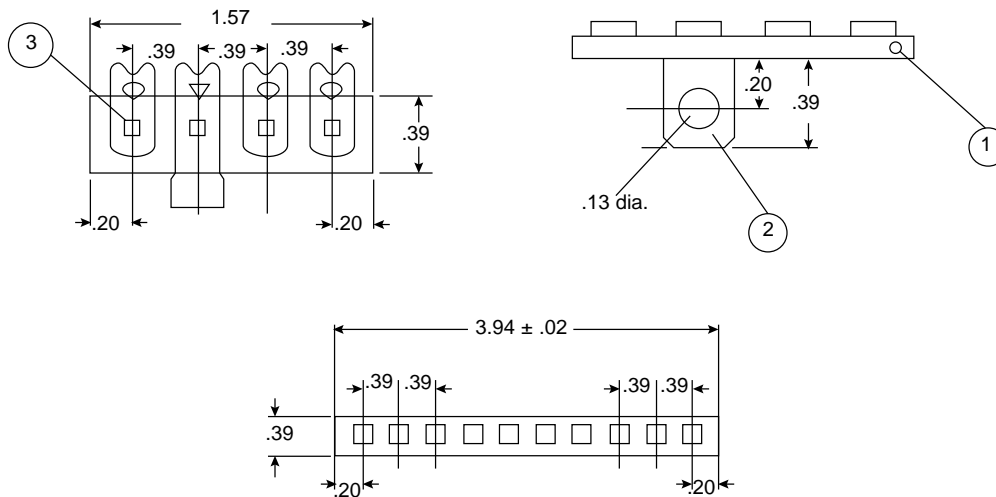
Electrical Specifications:

- Current rating: 1A
- Insulator resistance: 10GΩ @ 500VDC
- Temperature rating: -55°C to +105°C
- Flammability rating: UL94V-0

Material Specifications:

- Contact material: phosphor bronze
- Contact plating: gold over nickel
- Insulated material: reinforced thermoplastic

Your source for quality electronics. Toll-free full service
(800) 346-6873

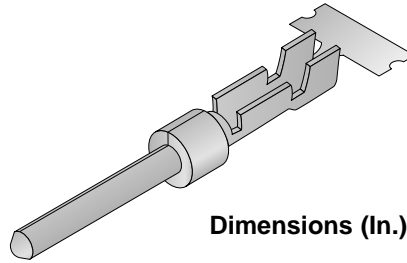
**Dimensions (In.)****Specifications:**

- Insulation resistance: min. 50M Ω / 500VDC
- Withstanding voltage: 3K VAC / 1 minute
- Nickel plated ground lug
- Flammability rating: UL 94V-0
- Materials: 1-phenol PCB 94HB
2-steel/nickel
3-steel/tin

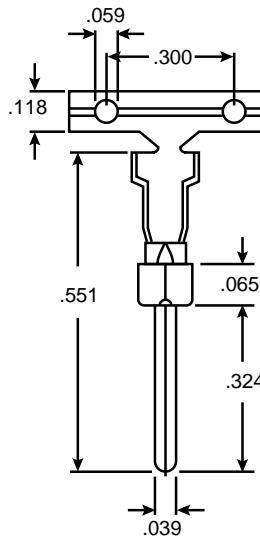
Your source for quality electronics. Toll-free full services

(800)346-6873

<http://www.mouser.com>



Dimensions (In.)

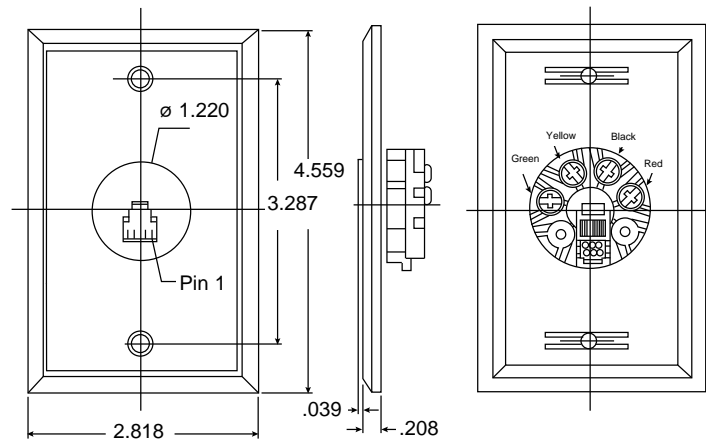
**Specifications:**

- Material: brass with gold flash
- Current rating: 5 amp

Your source for quality electronics. Toll-free full service
(800) 346-6873



Dimensions (In.)

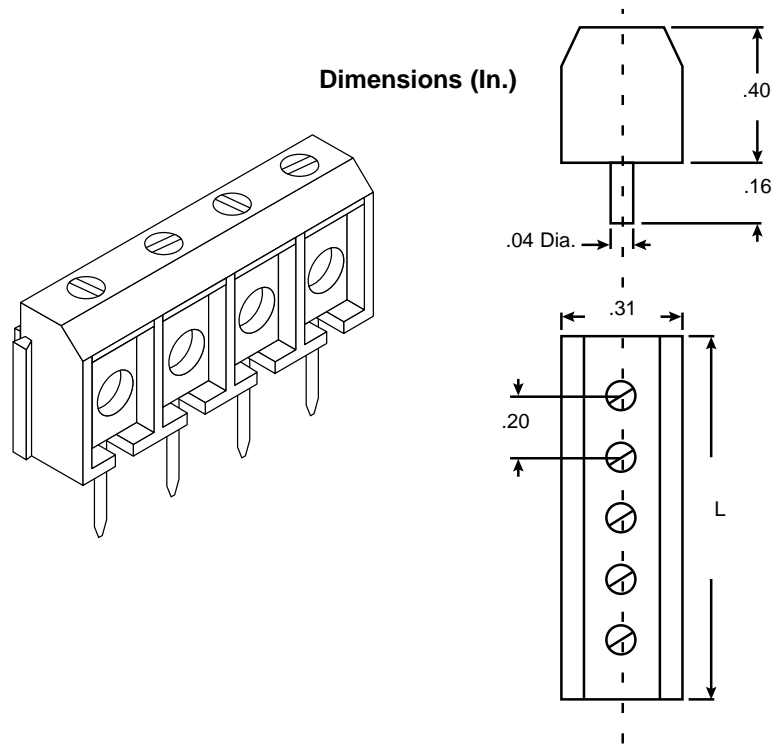


Specifications:

- Face plate: ABS
- Base plate: ABS
- Contact wire: 6u" gold plated
- Lead wire: 26AWG stranded
- Y-terminal
- Screw: nickel-plate

Your source for quality electronics. Toll-free full services

(800)346-6873



Nickel plated brass terminals completely surround the wire end, hold it securely in place, and eliminate the need for lugs. Each position is numbered in large digits for easy identification.

Specifications:

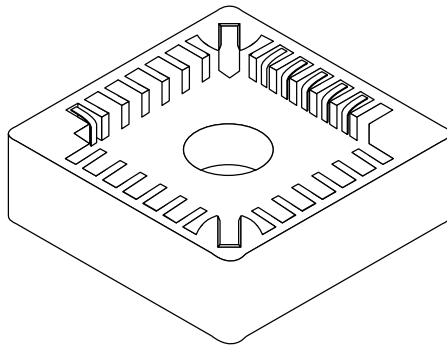
- .200" pin spacing
- Nominal current load up to 6 amps
- Housing of grey polyimid/nylon fibre glass reinforced
- Maximum temperature +150°C
- Low profile
- PC mounting pins
- Accepts solid or stranded wire 14AWG to 22AWG
- End buttable with interlocking dovetail

Mouser Stock No.	Position	Length (In.)
153-2502	2	.4
153-2503	3	.6
153-2504	4	.8
153-2505	5	1.0
153-2506	6	1.2
153-2512	12	2.4

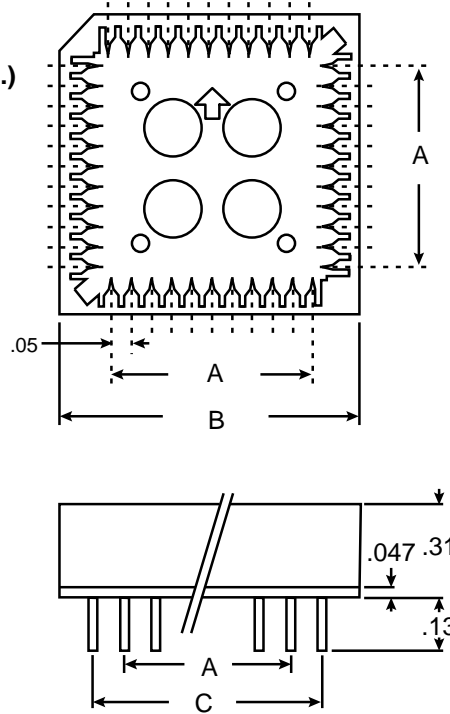
Your source for quality electronics. Toll-free full service

(800) 346-6873

<http://www.mouser.com>



Dimensions (In.)



Contact Resistance Typical	Current Rating Maximum	Capacitance Contact to Contact	Insertion Force Typical	Withdrawal Force Typical	Maximum Acceptable Pin Size	Temperature Range	Material Plastic	Material Contact
10mΩ	1.0amp	0.50pF	Zero	Zero	N/A	-55°C to +105°C	PPS/PBT	PhBr

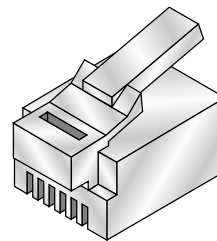
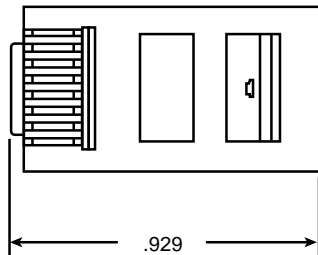
Mouser Stock No.	No. of Contacts	Contact Plating	Mount	Dimensions (In.)		
				A	B	C
151-1030	28	Tin	SMD	.300	.717	.500
151-1034	32	Tin	SMD	.29 X .39*	.69 x .80*	.50 x .60*
151-1046	44	Tin	SMD	.500	.906	.700
151-1054	52	Tin	SMD	.598	1.067	.799
151-1070	68	Tin	SMD	.800	1.260	1.000
151-1086	84	Tin	SMD	1.000	1.461	1.200

* Rectangular Socket

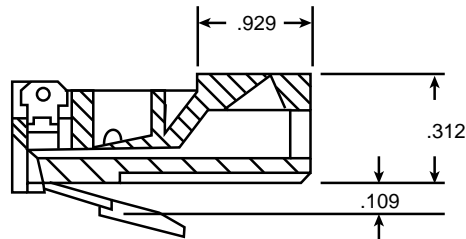
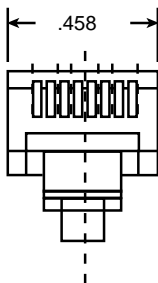
Your source for quality electronics. Toll-free full service

(800) 346-6873

<http://www.mouser.com>



Dimensions (In.)



Material Specifications:

- Contacts: 6 micro inch gold plated-phosphor bronze
- Housing Material: polycarbonate (PC)

Electrical Specifications:

- 250VAC max. at 2 amps
- Dielectric withstanding 500 volts AC
- Insulation resistance: 500MΩ
- Termination resistance: 35mΩ max. after environmental test

Mechanical Specifications:

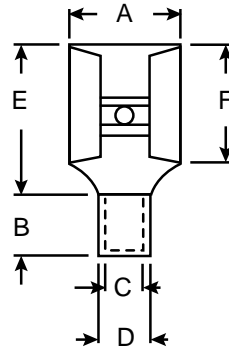
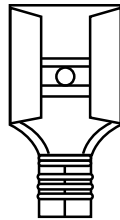
- Cable-to-plug tensile strength - 20lbs. (89N)min.
- Durability: 200 mating cycles
- Operating temperature: -40°C to +125°C

Mouser Stock No.	*Western Electric Type	Description
154-7641	641	8P/8C modular

*641/RJ-45 type, 8 conductor for telephone to wall or modem-dialer use

Your source for quality electronics. Toll-free full service

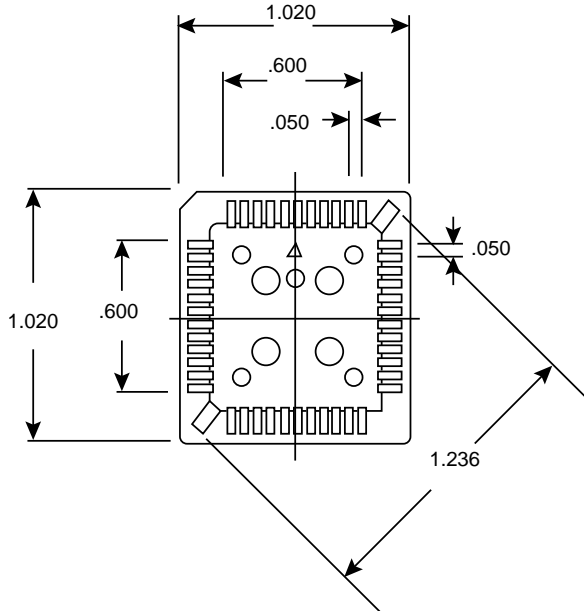
(800) 346-6873



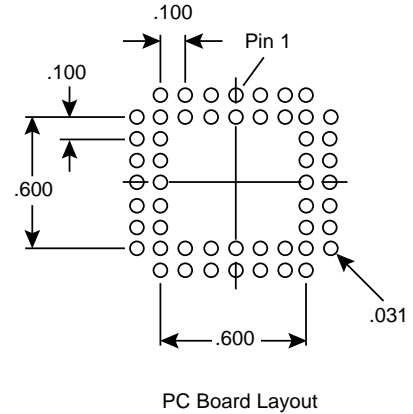
Specifications:

- Max. electric rating: 75°C 300 volts
- Terminal material: Brass

Mouser Stock No.	Wire Range (AWG)	Max. Electric Current (AMP)	NEMA Tab	Dimension (In.)						Material Thickness
				A	B	C	D	E	F	
159-1224	12-10	24	.032x.250	.291	.236	.134	.177	.669	.311	.016
159-1640	16-14	15	.020x.110	.150	.197	.091	.130	.551	.252	.012
159-1641	16-14	15	.020x.187	.220	.197	.091	.130	.551	.256	.014
159-1642	16-14	15	.020x.205	.256	.197	.091	.130	.622	.248	.014
159-1643	16-14	15	.020x.250	.291	.197	.091	.130	.669	.311	.016
159-2237	22-16	10	.020x.187	.220	.197	.067	.106	.551	.256	.014
159-2237A	22-16	10	.020x.205	.258	.197	.067	.106	.622	.248	.014



Dimensions (In.)

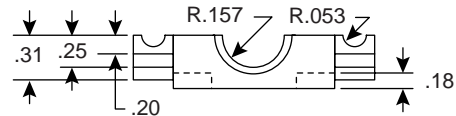
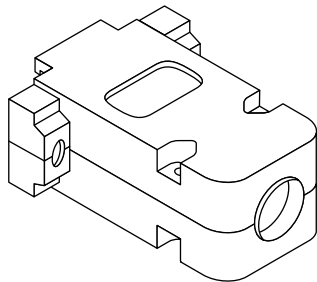
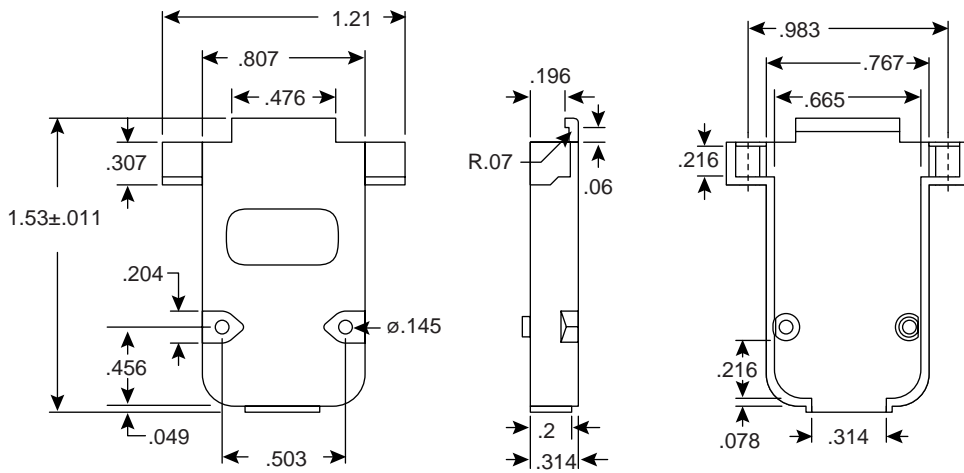


Specifications:

- Contact resistance: 30mΩ max. @ 100mA DC
- Insulator resistance: 1000MΩ min. @ 500VDC
- Current rating: 1 amp
- Voltage rating: 500VAC for 1 minute
- Operating temperature: -55°C to +105°C
- Contact material: tin/gold plated phosphor bronze
- Housing material: PPS and 40% glass fiber (UL 94V-0)

Mouser Stock No.	No. of Contacts	Contact Plating	Mounting Type
151-1552	52	Tin	Thru-hole
151-1553	52	Gold	Thru-hole

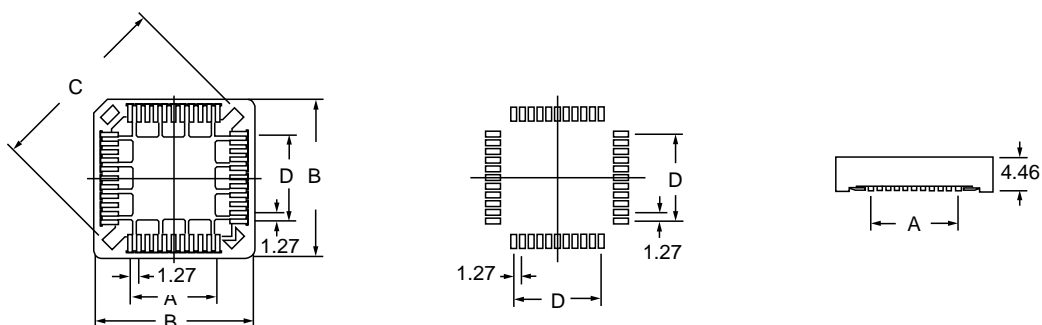
Your source for quality electronics. Toll-free full service
(800) 346-6873



Dimensions (In.)

Specifications:

- Shell size: DB9
- Housing material: ABS plastic
- Hood type: locking
- 156-2029: gray
- 156-2010: black
- 156-3009: gray, nickel plated, RFI/EMI shielded

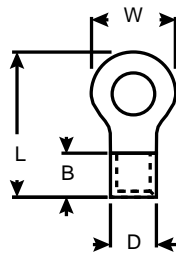
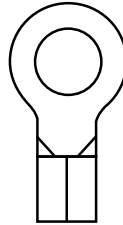


Specifications:

- Contact resistance: 30mΩ max. @ 100mA DC
- Insulator resistance: 1000MΩ min. @ 500VDC
- Current rating: 1 amp
- Voltage rating: 500VAC for 1 minute
- Operating temperature: -55°C to 105°C
- Contact material: tin/gold plated phosphor bronze
- Housing material: PPS and 40% glass fiber (UL 94V-0)

MOUSER STOCK NO.	No. of Contacts	Contact Plating	Mounting Type	Dimensions (In.)			
				A	B	C	D
151-1530	28	Tin	SMD	.300	.700	.800	.300
151-1534	32	Tin	SMD	.300	.700	.886	.400
151-1546	44	Tin	SMD	.500	.900	1.083	.500
151-1570	68	Tin	SMD	.800	1.213	1.508	.800
151-1586	84	Tin	SMD	1.000	1.413	1.791	1.000

Your source for quality electronics. Toll-free full service
(800) 346-6873

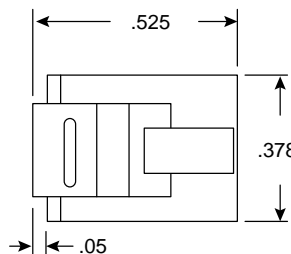
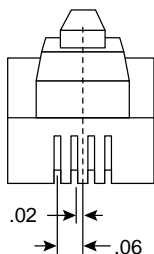
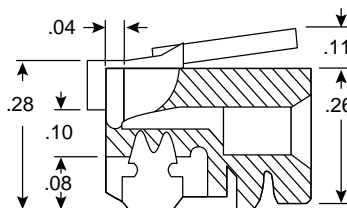
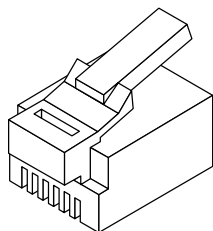


Specifications:

- Wire range: 12-10 AWG
- Maximum electric current: 48 amps
- Terminal material: Copper thickness-.039 (1.0mm)
- Brazed seam

Mouser Stock No.	Stud Size	Dimension (In.)			
		W	L	B	D
159-1216	#6	.283	.618	.268	.220
159-1217	#8	.374	.780	.268	.220
159-1219	1/4	.472	1.016	.268	.220
159-1220	5/18	.591	1.102	.268	.220
159-1221	3/8	.591	1.102	.268	.220

Your source for quality electronics. Toll-free full service
(800) 346-6873



Dimensions (In.)

Specifications:

- USOC type: 154-UL6234 = RJ11,
154-UL6236 = RJ12
- Western electric type: 623 (4 or 6 conductor for telephone to wall use)
- Cable ~ plug tensile strength: 20 lbs. (89N) min.
- Durability: 200 mating cycles
- Positions-contacts: 154-UL6234 = 6-4,
154-UL6236 = 6-6
- Housing material: polycarbonate (pc)
- Contact blade: high strength copper alloy
- Contact material: 8% phosphor bronze
- UL applications: 250VAC (max.) @ 2A
- Insulation resistance: 500MΩ
- Dielectric withstand voltage: 500VAC for 1 minute
- Termination resistance: 35mΩ (max.)
- Operating temperature: -40°C ~ +125°C
- Color: clear



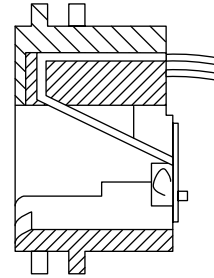
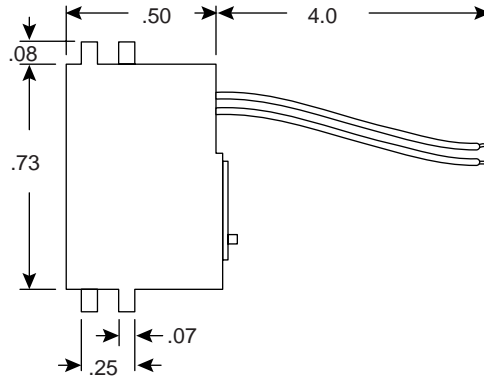
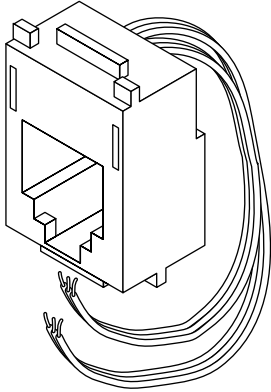
E919153

Meets the requirements of FCC 47 C.F.R. part 68 subpart F in regards to metallic platings and dimensional tolerances.

Your source for quality electronics. Toll-free full service.

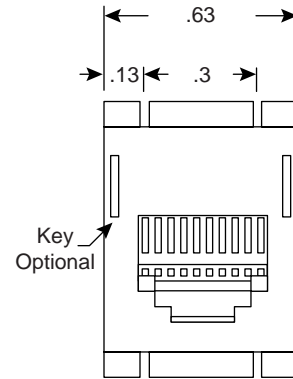
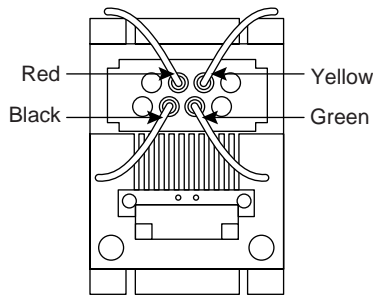
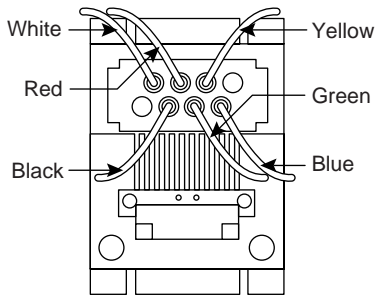
(800) 346-6873

<http://www.mouser.com>



154-7652A6

154-7652A4



Dimensions (In.)

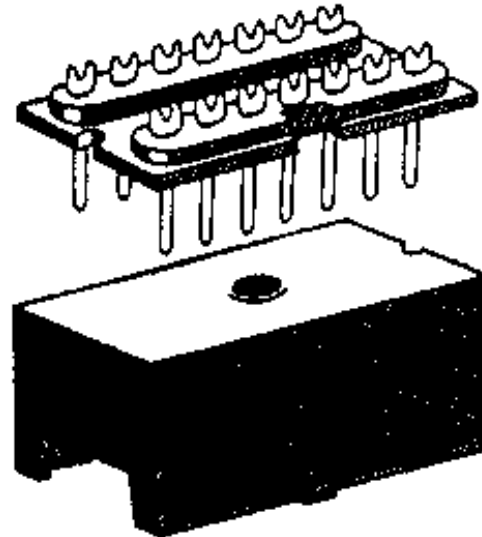
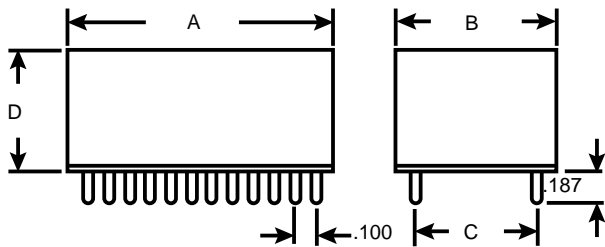
Specifications:

- Wire leads: phosphor bronze alloy 1.77"
- Housing: ABS molding compound UL-94V-0
- Color: gray
- Contacts: 6 micron gold plate

Mouser Stock No.	USOC Type	Western Electric Type	Positions-Contacts
154-7652A4	RJ11	652A4	6-4
154-7652A6	RJ11	652A6	6-6

Dimensions (In.)

Base: RB PBT, 30% Glass filled Polyester



Part No.	No. of pins	Dimensions (In.)			
		A	B	C	D
151-314T3	14	.790	.490	.300	.409
151-316T3	16	.890	.490	.300	.409
151-624T3	24	1.290	.790	.600	.609

Electrical:

- Capacitance: .50pf contact to contact
- Current rating: 1 amp max
- Insulation resistance: 100GΩ (contact to contact) @500VDC
- Arc resistance: 145 secs at 23°C
- Electrical strength: 121KV / cm at 23°C

Dielectric Constant:

- At 100Hz 23°C: 3.9 (48hrs 90% RH)
- At 100Hz 121°C: 4.5
- At 1MHz 23°C: 3.7 (48hrs 90% RH)
- At 1MHz 121°C: 4.3

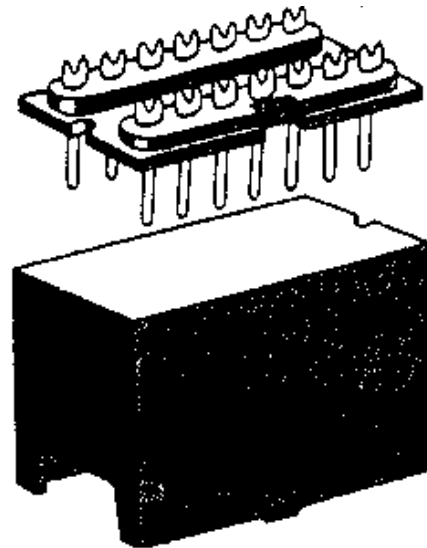
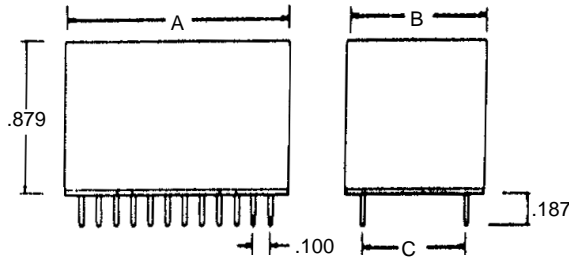
Dissipation Factor:

- At 100Hz 23°C: 0.0077 (48hrs 30% RH)
- At 100Hz 121°C: 0.0300
- At 1MHz 23°C: 0.0150 (48hrs 30% RH)
- At 1MHz 121°C: 0.0200
- Volume resistivity at 25°C: 3 x 100TΩ-CM (48hrs 90% RH)
- Volume resistivity at 121°C: 100TΩ-CM
- Operating temperature: -65°C to 150°C
- Flammability: UL94V-O

Your source for quality electronics. Toll-free full service
(800) 346-6873

Dimensions (In.)

Materials: Base = PBT 30% glass filled polyester. Cover = nylon



Part No.	No. of pins	Dimensions (In.)		
		A	B	C
151-624T4	24	1.290	.790	.600

Electrical:

- Capacitance: .50pf
- Current rating: 1amp max

Material:

- Contact: Phosphor bronze
- Insulation resistance: 100GΩ (contact to contact) @500VDC
- Arc resistance: 145 secs at 23°C
- Electrical strength: 121KV / cm at 23°C

Dielectric Constant:

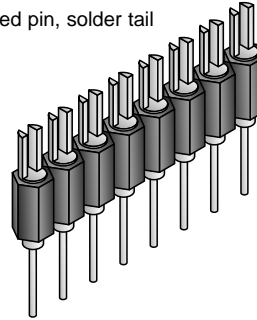
- At 100Hz 23°C: 3.9 (48hrs 90% RH)
- At 100Hz 121°C: 4.5
- At 1MHz 23°C: 3.7 (48hrs 90% RH)
- At 1MHz 121°C: 4.3

Dissipation Factor:

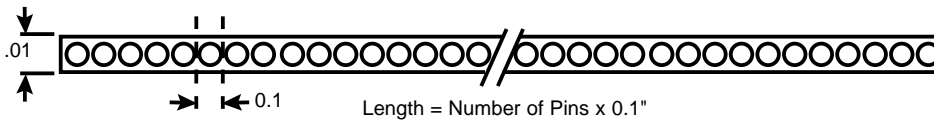
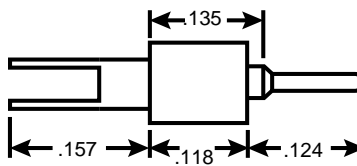
- At 100Hz 23°C: 0.0077 (48hrs 30% RH)
- At 100Hz 121°C: 0.0300
- At 1MHz 23°C: 0.0150 (48hrs 30% RH)
- At 1MHz 121°C: 0.0200
- Volume resistivity at 25°C: 3 x 100TΩ-CM (48hrs 90% RH)
- Volume resistivity at 121°C: 100TΩ-CM
- Operating temperature: -65°C to 150°C
- Flammability: UL94V-O

Your source for quality electronics. Toll-free full service
(800) 346-6873

Slotted pin, solder tail



Dimensions (In.)



Electrical:

- Current rating max: 3.0A max.
- Temperature range: -55°C to +125°C
- Material plastic: PBT 30% glass
- Material contact: brass

PBT Specifications:

- Insulation resistance: $10^{10}G\Omega$ (contact to contact) @ 500VDC
- Arc resistance: 145 secs @ 23°C
- Electrical strength: 121KV / cm @ 23°C

Dielectric Constant:

- @ 100Hz 23°C: 3.9 (48hrs 90% RH)
- @ 100Hz 121°C: 4.5
- @ 1MHz 23°C: 3.7 (48hrs 90% RH)
- @ 1MHz 121°C: 4.3

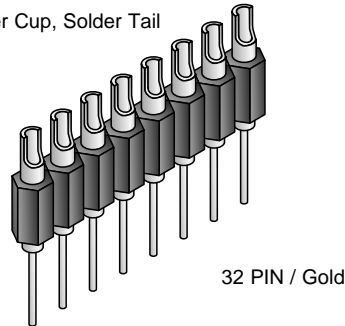
Dissipation Factor:

- @ 100Hz 23°C: 0.0077 (48hrs 30% RH)
- @ 100Hz 121°C: 0.0300
- @ 1MHz 23°C: 0.0150 (48hrs 30% RH)
- @ 1MHz 121°C: 0.0200
- Volume resistivity @ 25°C: $3 \times 10^{13}T\Omega\text{-CM}$ (48hrs 90% RH)
- Volume resistivity @ 121°C: $10^{13}T\Omega\text{-CM}$
- Operating temperature: -65°C to 150°C
- Flammability: UL94V-O

Your source for quality electronics. Toll-free full service

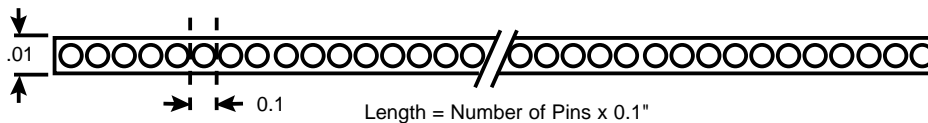
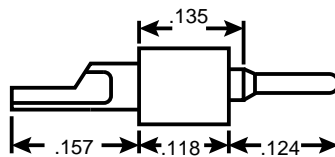
(800) 346-6873

Solder Cup, Solder Tail



32 PIN / Gold

Dimensions (In.)



Electrical:

- Current rating: 3.0A max.
- Temperature range: -55°C to +125°C
- Material plastic: PBT 30% glass
- Material contact: brass

PBT Specifications:

- Insulation resistance: $10^{10}G\Omega$ (contact to contact) @ 500VDC
- Arc resistance: 145 secs @ 23°C
- Electrical strength: 121KV / cm @ 23°C

Dielectric Constant:

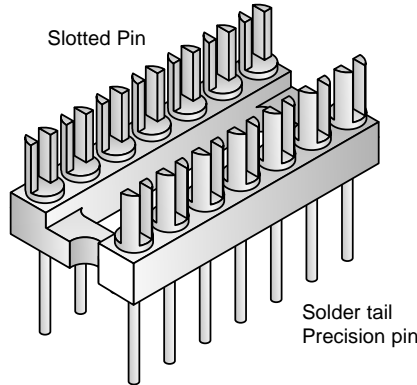
- @ 100Hz 23°C: 3.9 (48hrs 90% RH)
- @ 100Hz 121°C: 4.5
- @ 1MHz 23°C: 3.7 (48hrs 90% RH)
- @ 1MHz 121°C: 4.3

Dissipation Factor:

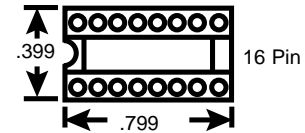
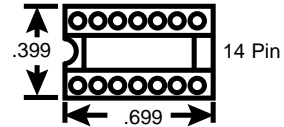
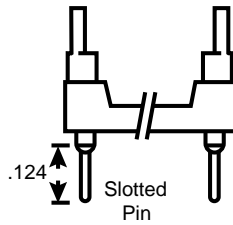
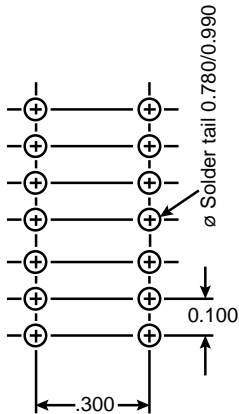
- @ 100Hz 23°C: 0.0077 (48hrs 30% RH)
- @ 100Hz 121°C: 0.0300
- @ 1MHz 23°C: 0.0150 (48hrs 30% RH)
- @ 1MHz 121°C: 0.0200
- Volume resistivity @ 25°C: $3 \times 10^{13}T\Omega\text{-CM}$ (48hrs 90% RH)
- Volume resistivity @ 121°C: $10^{13}T\Omega\text{-CM}$
- Operating temperature: -65°C to +150°C
- Flammability: UL94V-O

Your source for quality electronics. Toll-free full service

(800) 346-6873



Dimensions (In.)



Electrical:

- Current rating: 3.0amp max
- Capacitance: 0.50pF (contact to contact)
- Temperature range: -55°C to +125°C
- Material plastic: PBT 30% glass
- Material contact: Brass

PBT Specifications:

- Insulation resistance: $10^{10}\Omega$ (contact to contact) @500VDC
- Arc resistance: 145 secs at 23°C
- Electrical strength: 121KV / cm at 23°C

Dielectric Constant:

- At 100Hz 23°C: 3.9 (48hrs 90% RH)
- At 100Hz 121°C: 4.5
- At 1MHz 23°C: 3.7 (48hrs 90% RH)
- At 1MHz 121°C: 4.3

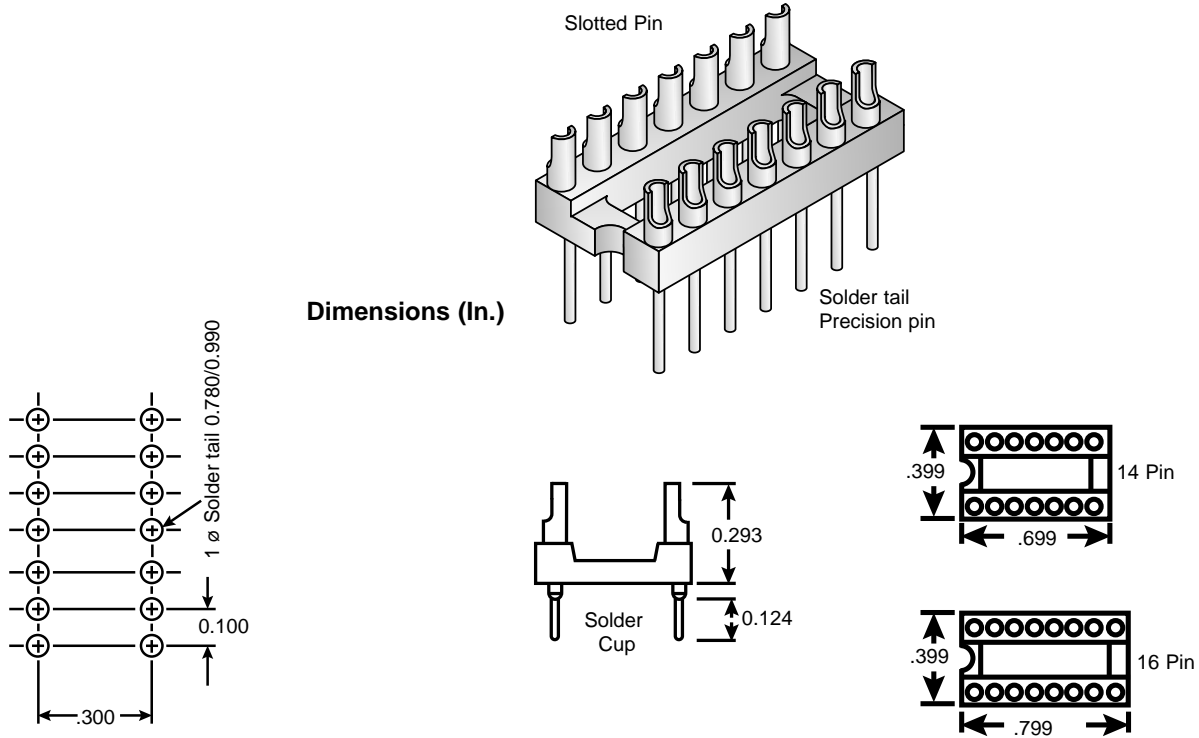
Dissipation Factor:

- At 100Hz 23°C: 0.0077 (48hrs 30% RH)
- At 100Hz 121°C: 0.0300
- At 1MHz 23°C: 0.0150 (48hrs 30% RH)
- At 1MHz 121°C: 0.0200
- Volume resistivity at 25°C: $3 \times 10^{13}\Omega\text{-CM}$ (48hrs 90% RH)
- Volume resistivity at 121°C: $10^{13}\Omega\text{-CM}$
- Operating temperature: -65°C to 150°C
- Flammability: UL94V-O

Mouser Stock No.	Pin
151-72314	14
151-72316	16

Your source for quality electronics. Toll-free full service

(800) 346-6873



Electrical:

- Current rating: 3.0A max.
- Capacitance: 0.50pF (contact to contact)
- Temperature range: -55°C to +125°C
- Material plastic: PBT 30% glass
- Material contact: brass

PBT Specifications:

- Insulation resistance: $10^{10}\Omega$ (contact to contact) @ 500VDC
- Arc resistance: 145 secs @ 23°C
- Electrical strength: 121KV / cm @ 23°C

Dielectric Constant:

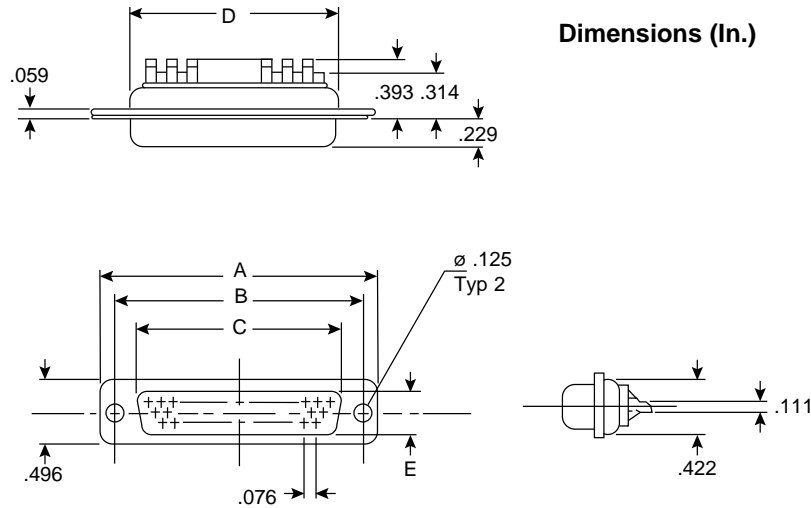
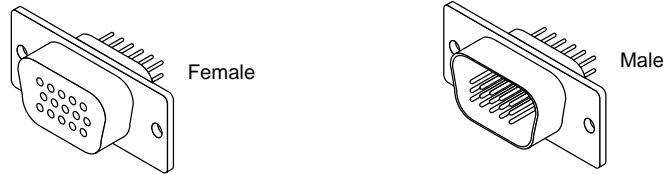
- @ 100Hz 23°C: 3.9 (48hrs 90% RH)
- @ 100Hz 121°C: 4.5
- @ 1MHz 23°C: 3.7 (48hrs 90% RH)
- @ 1MHz 121°C: 4.3

Dissipation Factor:

- @ 100Hz 23°C: 0.0077 (48hrs 30% RH)
- @ 100Hz 121°C: 0.0300
- @ 1MHz 23°C: 0.0150 (48hrs 30% RH)
- @ 1MHz 121°C: 0.0200
- Volume resistivity @ 25°C: $3 \times 10^{13}\Omega\text{-CM}$ (48hrs 90% RH)
- Volume resistivity @ 121°C: $10^{13}\Omega\text{-CM}$
- Operating temperature: -65°C to +150°C
- Flammability: UL94V-O

Mouser Stock No.	Pin
151-73314	14
151-73316	16

Your source for quality electronics. Toll-free full service
(800) 346-6873



Electrical Specifications:

- Contact current rating: 5 amperes
- Contact resistance: 10mΩ max.
- Operating temperature: -55°C to +105°C
- Dielectric withstanding voltage: 1000VAC @ sea level
- Insulation resistance: 5000MΩ min.

Mechanical:

- Contact engagement force: 12oz max
- Contact separation force: 75oz min

Materials:

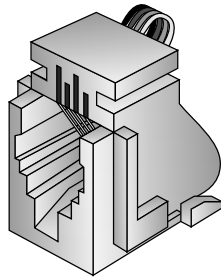
- Contacts - sockets: phosphor bronze
- Pin: high strength copper alloy; 2 U" gold over nickel
- Insulators - glass: filled thermoplastic, color black UL94V-0 rated
- Shell: steel
- Shell: tin plated

Mouser Stock No.	No. of pins	A	B	C	D	E
156-1915	15F	1.212	0.983	0.666	0.759	0.311
156-1815	15M	1.212	0.983	0.666	0.759	0.329
156-1926	26F	1.541	1.311	0.994	1.083	0.311
156-1826	26M	1.541	1.311	0.994	1.083	0.329

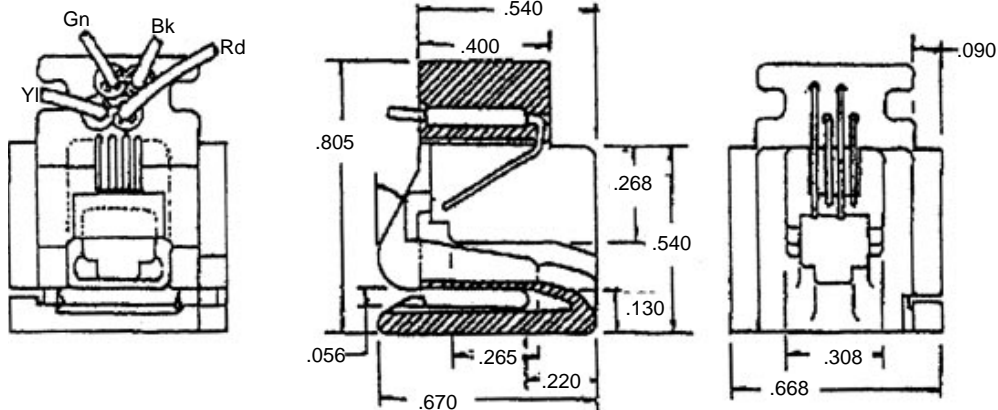
Your source for quality electronics. Toll-free full service

(800) 346-6873

<http://www.mouser.com>



Dimensions (In.)



Material:

- Housing: ABS resin 94V-O, medium in color
- Contact: Gold plated phosphor bronze
- Terminal: 0.4mm thickness 3/4 hard brass
- Wire: 28 AWG, 7 strands UL-1061 E41396 AWM80 C VW-1 300V
Insulation: PVC
OD: .044

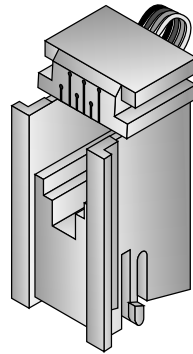
Electrical Characteristics:

- Insulation resistance: 10M Ω min
- Contact resistance: 20m Ω max
- Dielectric withstanding voltage: 1000volts RMS@60Hz

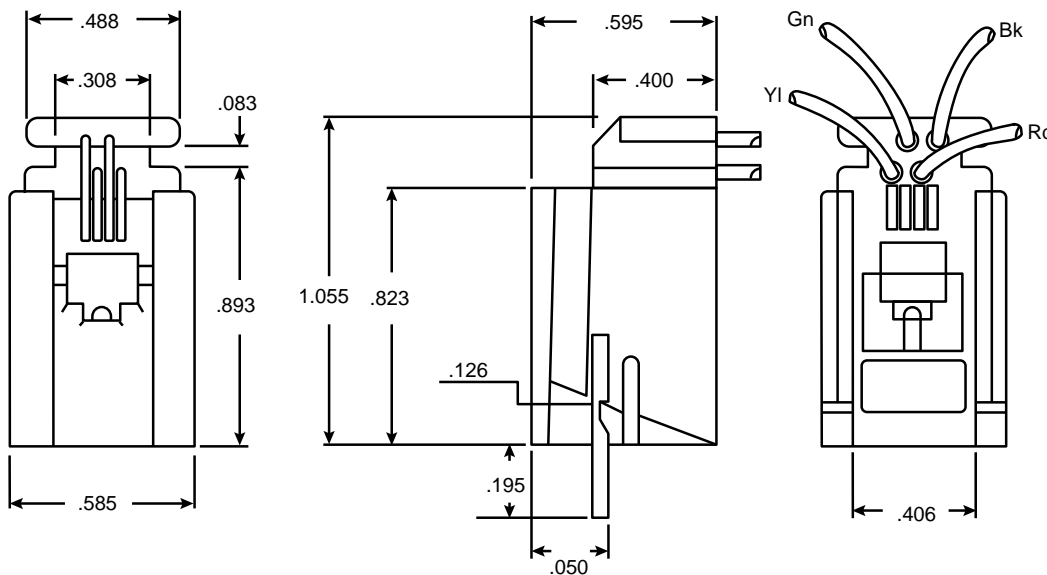
Mechanical Characteristics:

- Insertion force: 500 grams
- Retention strength: 7.7kgs between jack and plug
- Crimp tensile strength: 2.27kgs

Your source for quality electronics. Toll-free full service
(800) 346-6873



Dimensions (In.)



Material:

- Housing: ABS resin 94V-O, medium in color
- Contact: gold plated phosphor bronze
- Terminal: 0.4mm thickness 3/4 hard brass
- Wire: 28 AWG, 7 strands UL-1061 E41396 AWM80 C VW-1 300V
Insulation: PVC
OD: .044

Electrical Characteristics:

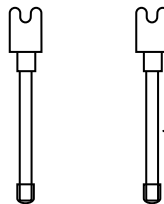
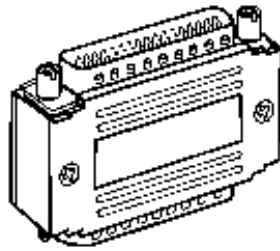
- Insulation resistance: 10M Ω min
- Contact resistance: 20m Ω max
- Dielectric withstanding voltage: 1000volts RMS 60Hz

Mechanical Characteristics:

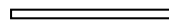
- Insertion force: 500 grams
- Retention strength: 7.7kgs between jack and plug
- Crimp tensile strength: 2.27kgs

Your source for quality electronics. Toll-free full service

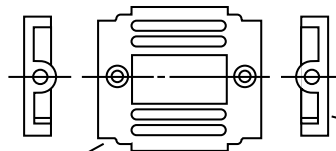
(800) 346-6873



Jack Screw .2 off



Blank Plate



Top plate A 2 off

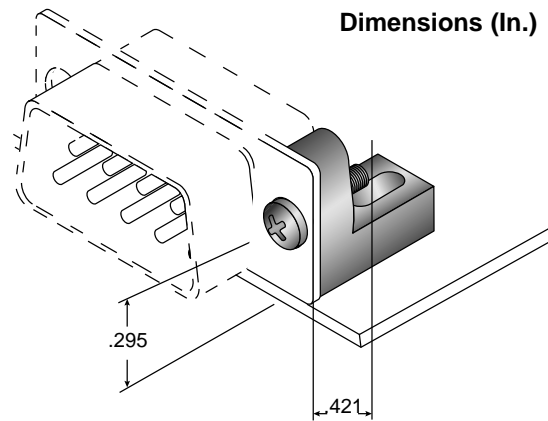
Blank end block 2 off

Top Plate Fixing Screw 4 Off

Specifications:

- Cable clamp dia.: 10.0 max. - 5.5mm for cables below 5.5 we recommend the use of a rubber sleeve
- Material: High quality plating grade ABS
- Shielding finish: Bright nickel
- Locking threads: 4-40 UNC

Your source for quality electronics. Toll-free full service
(800) 346-6873

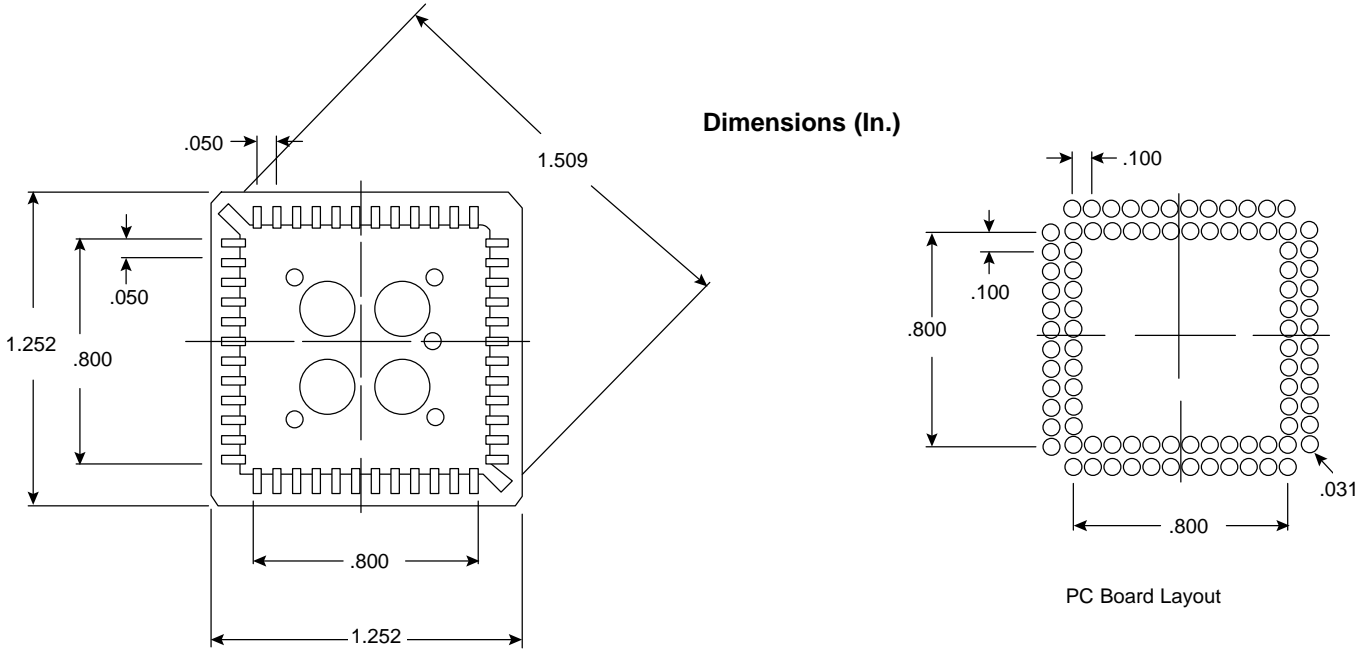


Specifications:

- Material: Polyester according to UL-94V0
- Color: Black
- Designed to fit our 152-6200 / 152-4000 series connectors

Mouser Stock No.	Shell Size	No. of Contacts	
152-0001	1 - 4	9 - 37	with mounting screws packed in pairs

Your source for quality electronics. Toll-free full service
(800) 346-6873

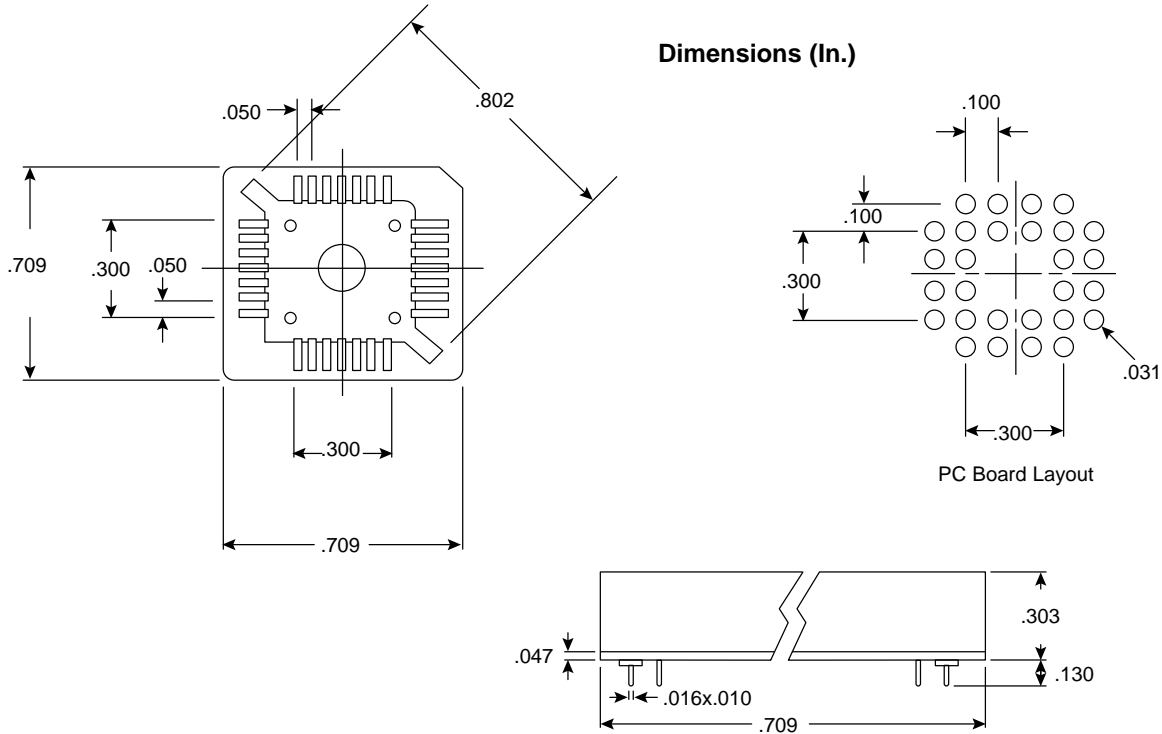


Specifications:

- Contact resistance: 30mΩ max. @ 100mA DC
- Insulator resistance: 1000MΩ min. @ 500VDC
- Current rating: 1 amp
- Voltage rating: 500VAC for 1 minute
- Operating temperature: -55°C to +105°C
- Contact material: tin/gold plated phosphor bronze
- Housing material: PPS and 40% glass fiber (UL 94V-0)

Mouser Stock No.	No. of Contacts	Contact Plating	Mounting Type
151-1568	68	Tin	Thru-hole
151-1569	68	Gold	Thru-hole

Your source for quality electronics. Toll-free full service
(800) 346-6873

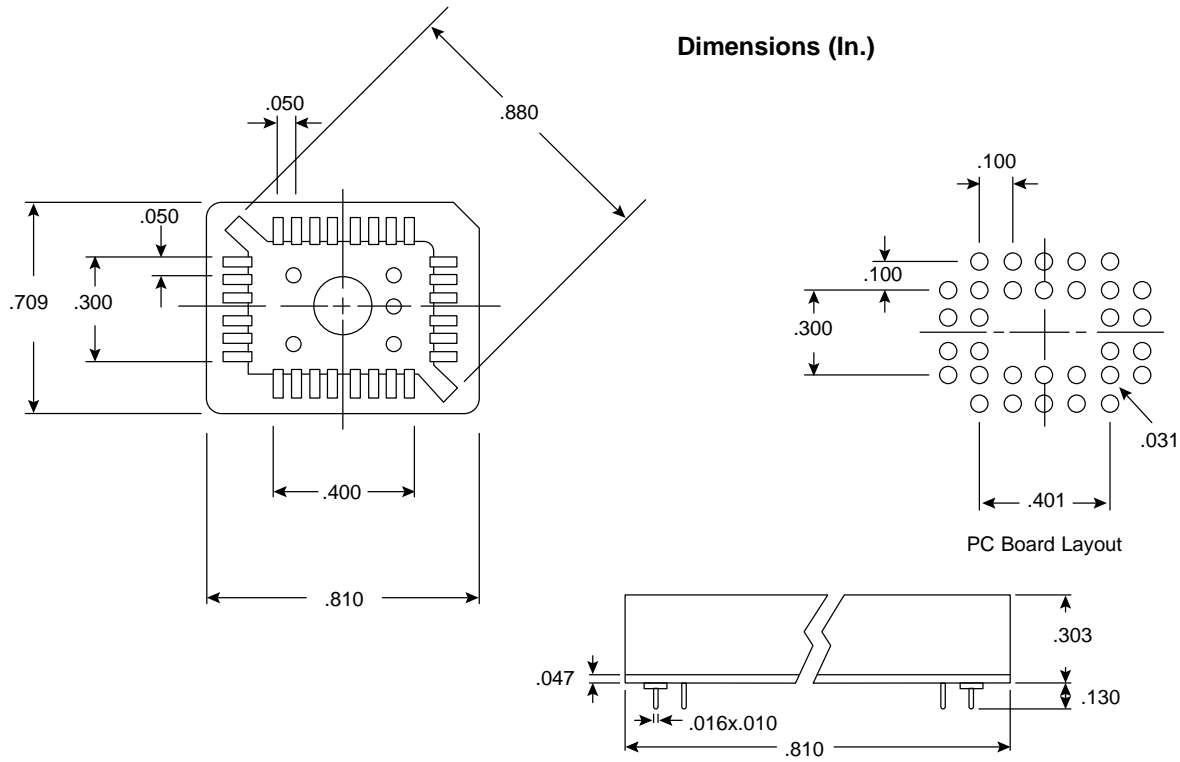


Specifications:

- Contact resistance: 30mΩ max. @ 100mA DC
- Insulator resistance: 1000MΩ min. @ 500VDC
- Current rating: 1 amp
- Voltage rating: 500VAC for 1 minute
- Operating temperature: -55°C to +105°C
- Contact material: tin/gold plated phosphor bronze
- Housing material: PPS and 40% glass fiber (UL 94V-0)
- Contact plating: 1 micro inch gold

Mouser Stock No.	No. of Contacts	Contact Plating	Mounting Type
151-1528	28	Tin	Thru-hole
151-1529	28	Gold	Thru-hole

Your source for quality electronics. Toll-free full service
(800) 346-6873
<http://www.mouser.com>



Specifications:

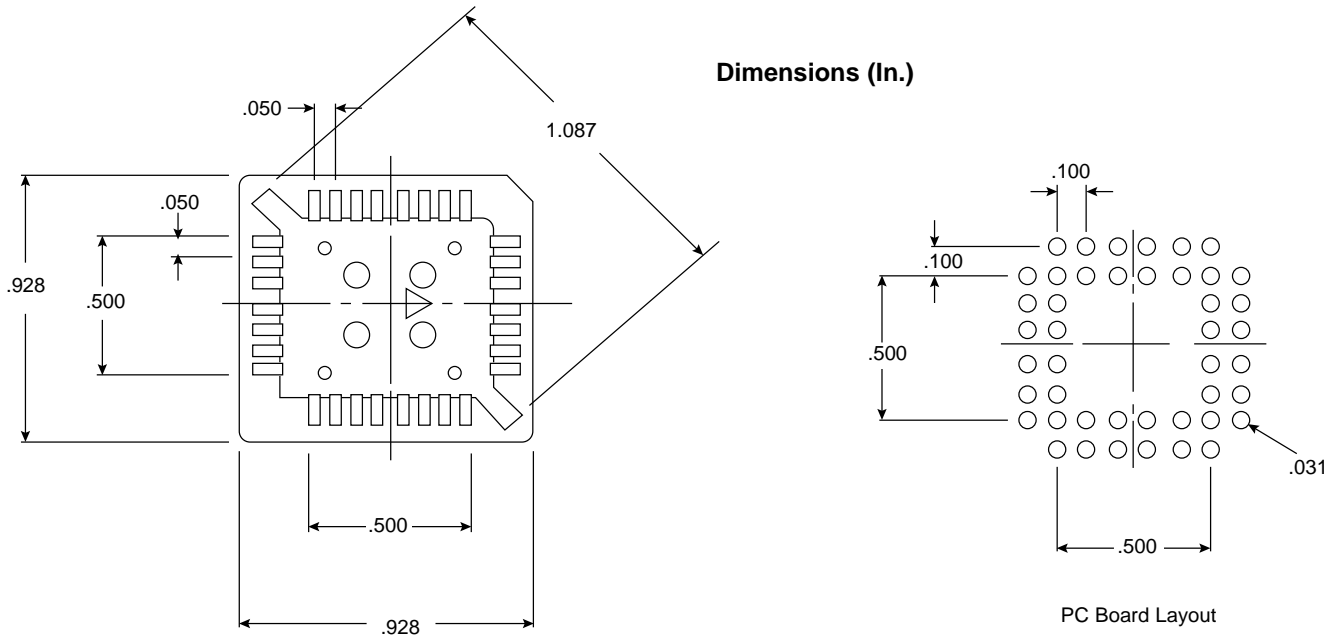
- Contact resistance: 30mΩ max. @ 100mA DC
- Insulator resistance: 1000MΩ min. @ 500VDC
- Current rating: 1 amp
- Voltage rating: 500VAC for 1 minute
- Operating temperature: -55°C to +105°C
- Contact material: tin/gold plated phosphor bronze
- Housing material: PPS and 40% glass fiber (UL 94V-0)
- Contact plating: 1 micro inch gold

Mouser Stock No.	No. of Contacts	Contact Plating	Mounting Type
151-1532	32	Tin	Thru-hole
151-1533	32	Gold	Thru-hole

Your source for quality electronics. Toll-free full service

(800) 346-6873

<http://www.mouser.com>

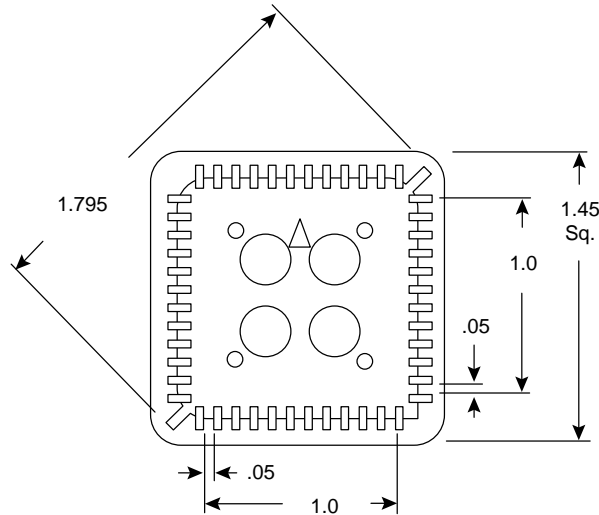


Specifications:

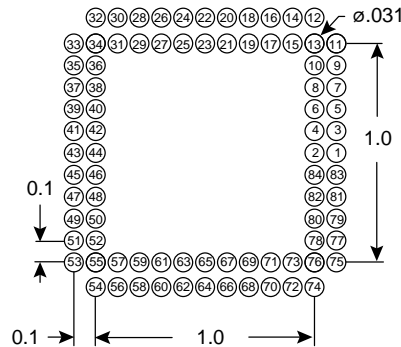
- Contact resistance: 30mΩ max. @ 100mA DC
- Insulator resistance: 1000MΩ min. @ 500VDC
- Current rating: 1 amp
- Voltage rating: 500VAC for 1 minute
- Operating temperature: -55°C to +105°C
- Contact material: tin/gold plated phosphor bronze
- Housing material: PPS and 40% glass fiber (UL 94V-0)

Mouser Stock No.	No. of Contacts	Contact Plating	Mounting Type
151-1544	44	Tin	Thru-hole
151-1545	44	Gold	Thru-hole

Your source for quality electronics. Toll-free full service
(800) 346-6873



PC Board Layout



Dimensions (In.)

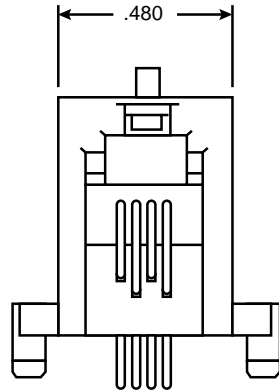
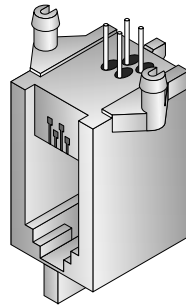
Specifications:

- Type: plastic leaded chip carrier
- Mounting type: thru-hole
- Contact resistance: 30mΩ max. @ 100mA DC
- Insulator resistance: 1000MΩ min. @ 500VDC
- Current rating: 1A
- Voltage rating: 500VAC for 1 minute
- Operating temperature: -55°C~ +105°C
- Contact material: phosphor bronze; 151-1584 (tin plated), 151-1585 (gold plated)
- Number of contacts: 84
- Housing material: PPS & 40% glass fiber (UL 94V-0)

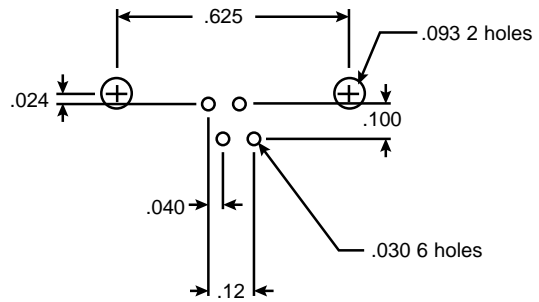
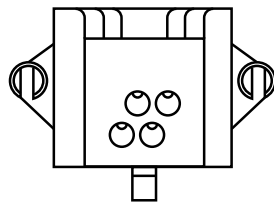
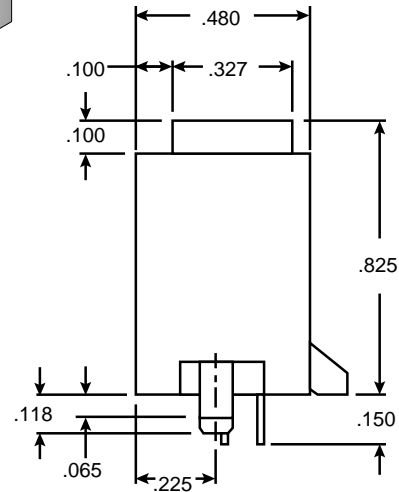
Your source for quality electronics. Toll-free full service.

(800) 346-6873

<http://www.mouser.com>



Dimensions (In.)



Layout
Top View

Specifications:

- Color: gray
- Contact: .45mm (.018") diameter, phosphor bronze alloy
- Plating: gold plating over nickel

Mechanical Specifications:

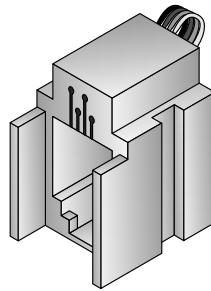
- Housing material: glass filled polyester UL94V-0 rated
- Material contact: phosphor bronze
- Finished: .15µ m/.6µ inch minimum gold over nickel
1.0µm/40u inch min.
- Housing color: black
- Operation temperature: -40°C to +80°C
- Insertion force: 500gms for 4 contacts
- Retention strength: 7.7kgs between jack and plug
- Durability: 500 cycles meets contact resistance test check every 100 cycles. Mating and unmating cycles @ 20 cycles/minute
- H2S gas: 25°C - 86hrs

Electrical Specifications:

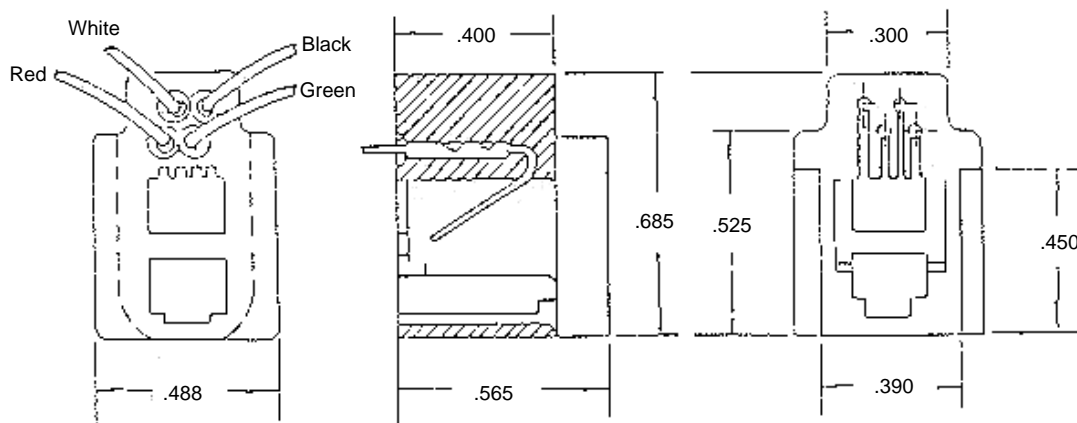
- Current rating: 1.5 amp max.
- Voltage rating: 150VAC max.
- Dielectric withstanding voltage: 1000VAC, RMS, 60Hz, 1 min.
- Contact resistance: 20mΩ max., initial
- Insulation resistance: 500MΩ min.

Your source for quality electronics. Toll-free full service

(800) 346-6873



Dimensions (In.)



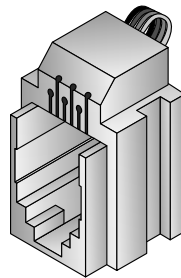
Specifications:

- Housing material: ABS molding compound UL-94V-0 UL-94V-1
- Gold wire material: phosphor bronze alloy 0.45mm
- Gold wire plating: 0.38UM / 15U, 0.76UM / 30U, or 1.27UM / 50U over 2.5UM / 100U nickel
- Wire style: UL-1061 AWM80°C VW-1 300V 26AWG with PVC insulation
- Lead end terminal styles: style a terminal 0.4 thickness 3/4 hard brass alloy

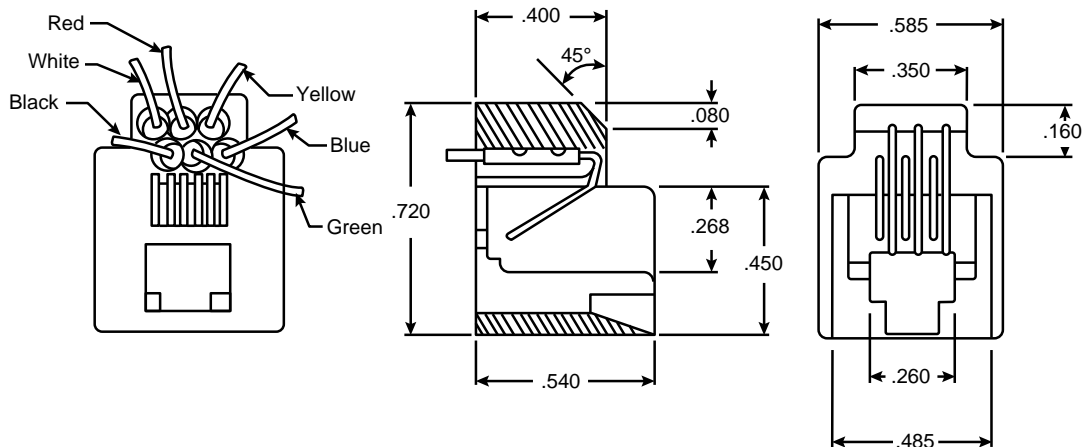
Your source for quality electronics. Toll-free full service

(800) 346-6873

<http://www.mouser.com>



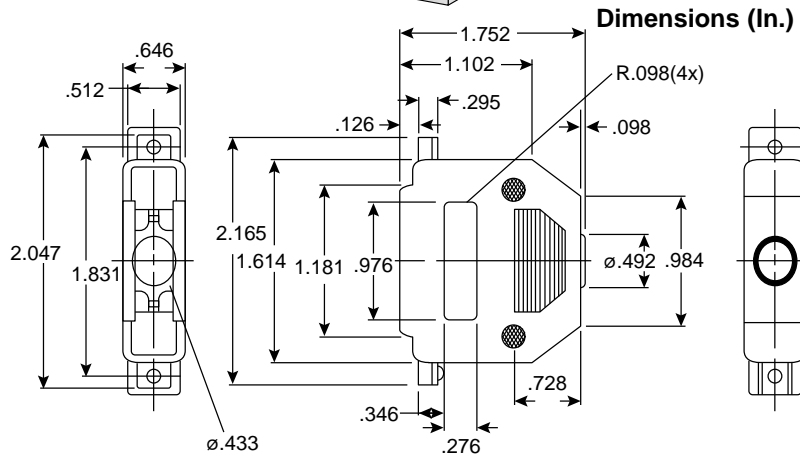
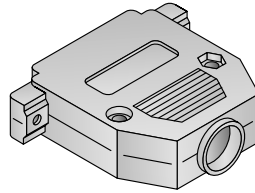
Dimensions (In.)



Specifications:

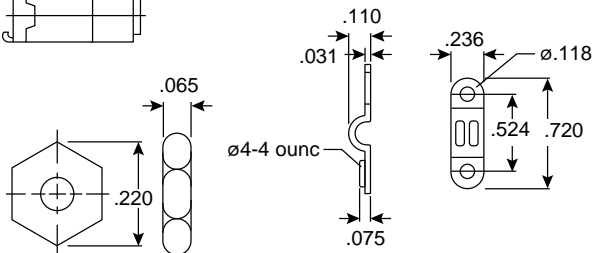
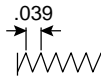
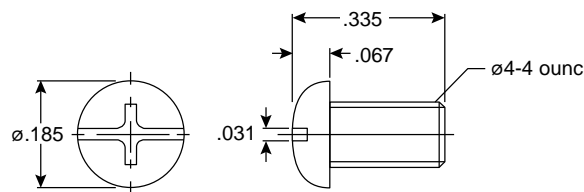
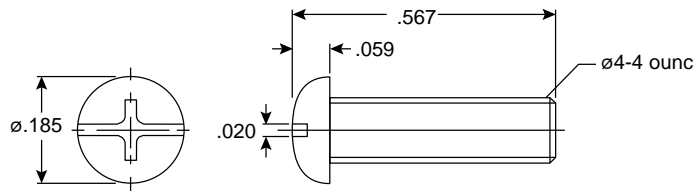
- Housing material: ABS molding compound UL-94V-0, UL-94V-1
- Contact material: phosphor bronze alloy 0.45mm
- Plating: 6 micron
- Wire style: UL-1061 AWM 80°C VW-1 300V 26AWG PVC insulation

Your source for quality electronics. Toll-free full service
(800) 346-6873



Specifications:

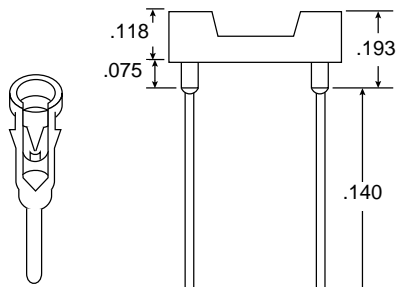
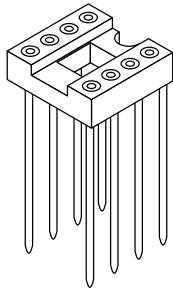
- ABS: chrome plated
- Nickel over copper plating



Your source for quality electronics. Toll-free full service

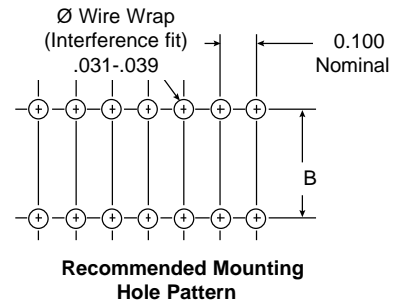
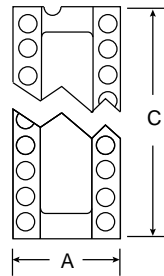
(800) 346-6873

<http://www.mouser.com>



End Elevation

Dimensions (In.)



Recommended Mounting Hole Pattern

Specifications:

- Current rating: 5A
- Contact material: brass outer sleeve, beryllium copper inner contact
- Molding material: glass-reinforced polyester
- Inner contact plating: gold

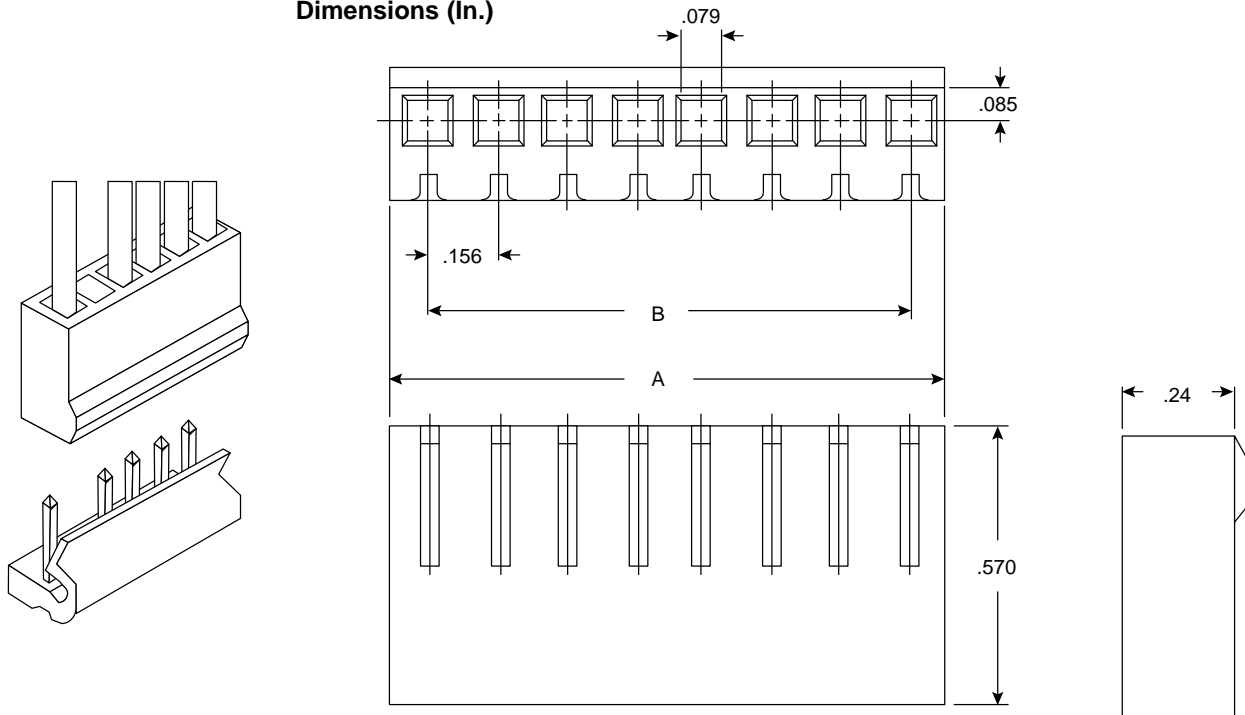
Mouser Stock No.	No. of Contacts	Outer Contact Plating	A	B	C
151-308SGG	8	Gold	.400	.300	.400
151-308SGT	8	Tin	.400	.300	.400
151-314SGG	14	Gold	.400	.300	.700
151-314SGT	14	Tin	.400	.300	.700
151-316SGG	16	Gold	.400	.300	.800
151-316SGT	16	Tin	.400	.300	.800
151-318SGG	18	Gold	.400	.300	.900
151-318SGT	18	Tin	.400	.300	.900
151-320SGG	20	Gold	.400	.300	1.000
151-320SGT	20	Tin	.400	.300	1.000
151-324SGG	24	Gold	.40	.30	1.20
151-422SGG	22	Gold	.500	.400	1.10
151-422SGT	22	Tin	.500	.400	1.10
151-624SGG	24	Gold	.700	.600	1.200
151-624SGT	24	Tin	.700	.600	1.200
151-628SGG	28	Gold	.700	.600	1.400
151-628SGT	28	Tin	.700	.600	1.400
151-632SGG	32	Gold	.70	.60	1.80
151-632SGT	32	Tin	.70	.60	1.80
151-640SGG	40	Gold	.700	.600	1.799
151-640SGT	40	Tin	.700	.600	1.799
151-950AGG	50	Gold	1.00	.90	2.50
151-950SGT	50	Tin	1.00	.90	2.50
151-964SGG	64	Gold	1.00	.90	3.20
151-964SGT	64	Tin	1.00	.90	3.20

Your source for quality electronics. Toll-free full service

(800) 346-6873

<http://www.mouser.com>

Dimensions (In.)



Specifications:

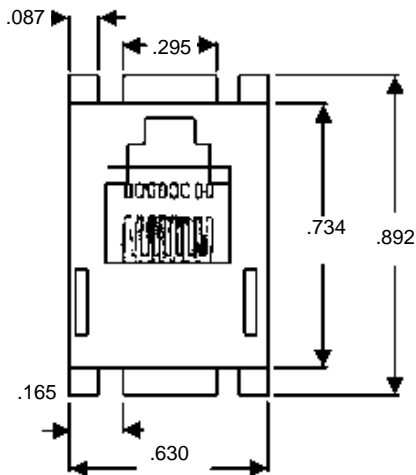
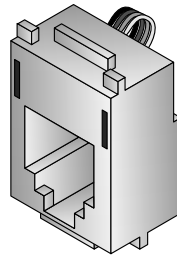
- .156" centers
- .045 square pins
- Positive contact
- Locking and non-locking styles
- UL type 94V-0 nylon 66
- Rated 7 amps @ 250VAC

Mouser Stock No.	CKTS.	Dimensions (In.)	
		A	B
ME155-8102	2	.351	.156
ME155-8103	3	.507	.312
ME155-8104	4	.663	.468
ME155-8105	5	.819	.624
ME155-8106	6	.975	.780
ME155-8110	10	1.60	1.40

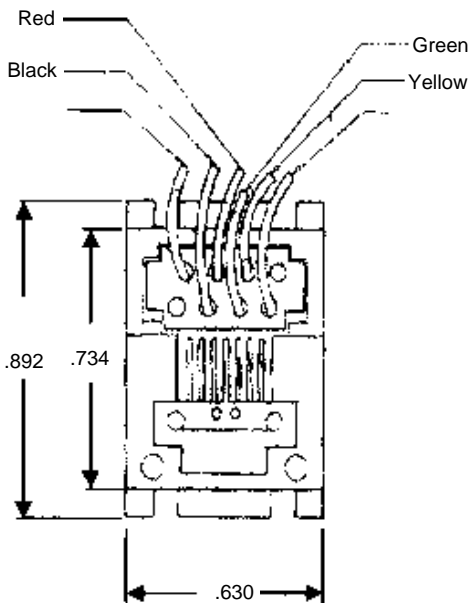
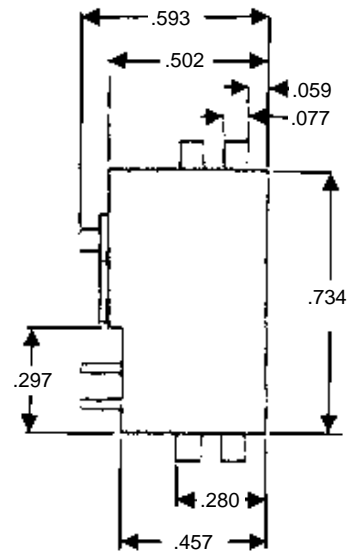
Your source for quality electronics. Toll-free full service

(800) 346-6873

<http://www.mouser.com>



Dimensions (In.)



Material Specifications:

- Housing: ABS resin 94V-0 medium in color
- Contact: 0.45mm (0.018) diameter, phosphor bronze alloy
- Wire: 26AWG, UL - 1061 E41396
- Wire insulation: PVC
- Wire OD: 1.105mm

Electrical Specifications:

- Insulation resistance: 10MΩ min.
- Contact resistance: 20mΩ max.
- Dielectric withstanding voltage: 1000 volts RMS 60Hz

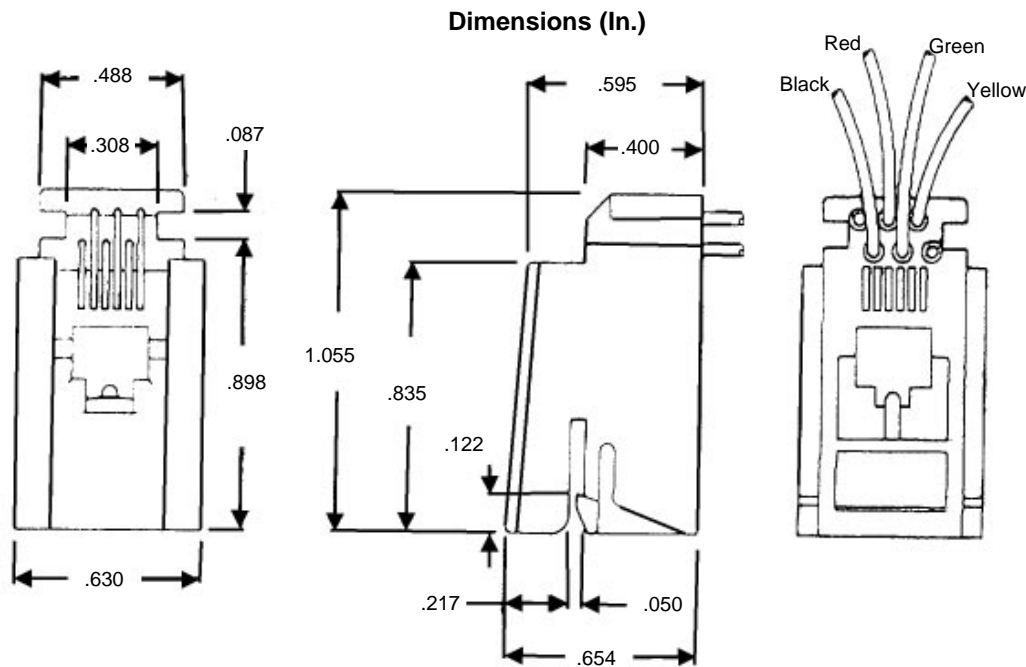
Mechanical Specifications:

- Retention strength: 7.7 kgs between jack and plug
- Crimp tensile strength: 2.27 kgs

Your source for quality electronics. Toll-free full service

(800) 346-6873

<http://www.mouser.com>

**Material Specifications:**

- Housing: ABS resin 94V-0 medium in color
- Contact: 0.45mm (0.018) diameter, phosphor bronze alloy
- Wire: 26AWG, UL - 1061 E41396
- Wire insulation: PVC
- Wire OD: 1.105mm

Electrical Specifications:

- Insulation resistance: 10M Ω min.
- Contact resistance: 20m Ω max.
- Dielectric withstanding voltage: 1000 volts RMS 60Hz

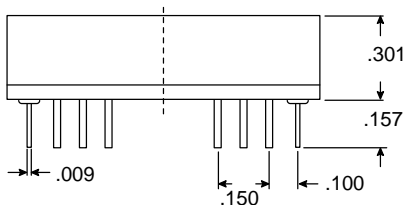
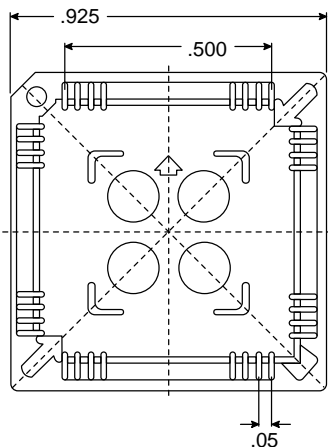
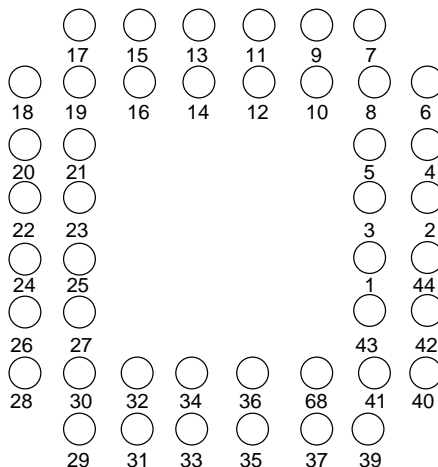
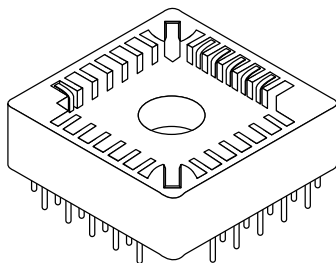
Mechanical Specifications:

- Retention strength: 7.7 kgs between jack and plug
- Crimp tensile strength: 2.27 kgs

Your source for quality electronics. Toll-free full service

(800) 346-6873

<http://www.mouser.com>



Dimensions (In.)

Specifications:

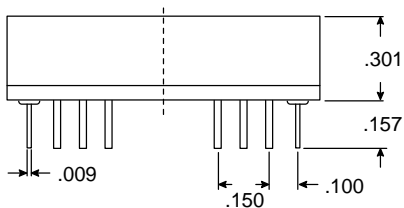
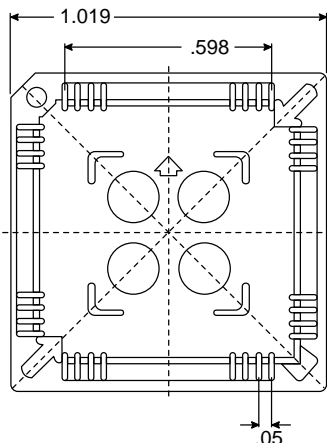
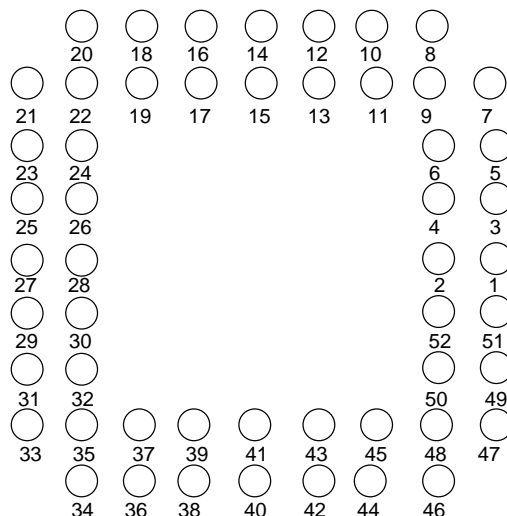
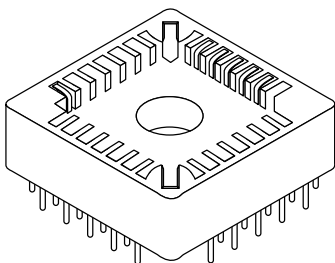
- Voltage rating: 100VAC RMS/150VDC
- Current rating: 1 amp
- Contact resistance: 30mΩ max
- Insulation resistance: 1000MΩ min at 100VDC
- Withstanding voltage: 600VAC RMS for 1 minute
- Operating temperature: -55°C to +125°C
- Applied (Wave soldering): +240°C (max 15 secs)
- Durability: 100cycles
- Vibration: 10,000 to 20,000Hz, 5Gs
- Insertion force: 170 gms per pin ±30gms
- Contact material: Phosphor bronze
- Insulator Material: 30% glass filled PBT
30% glass filled PPS
- Contact to contact capacitance: 1 picotared
- Contact plating: 3-5 microns tin over copper

Mouser Stock No.	No. of Contacts	Contact Plating	Mounting Type	No. of Pins
151-1044	44	Tin	Thru-hole	44
151-1045	44	Gold	Thru-hole	44

Your source for quality electronics. Toll-free full services

(800)346-6873

<http://www.mouser.com>



Dimensions (In.)

Specifications:

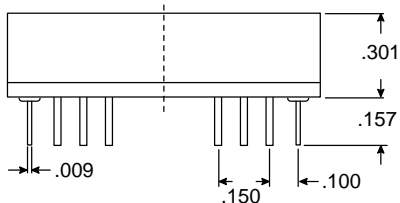
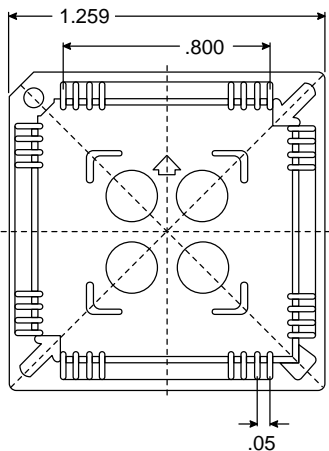
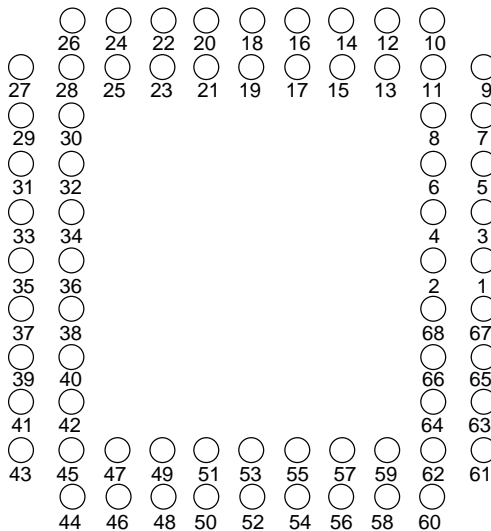
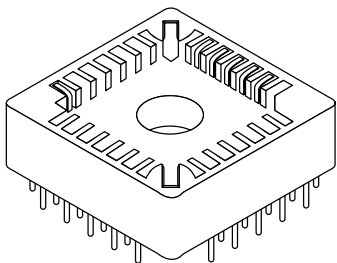
- Voltage rating: 100VAC RMS/150VDC
- Current rating: 1 amp
- Contact resistance: 30mΩ max
- Insulation resistance: 1000MΩ min at 100VDC
- Withstanding voltage: 600VAC RMS for 1 minute
- Operating temperature: -55°C to +125°C
- Applied (Wave soldering): +240°C (max 15 secs)
- Durability: 100cycles
- Vibration: 10,000 to 20,000Hz, 5Gs
- Insertion force: 170 gms per pin ±30gms
- Contact material: Phosphor bronze
- Insulator Material: 30% glass filled PBT
30% glass filled PPS
- Contact to contact capacitance: 1 picotared
- Contact plating: 3-5 microns tin over copper

Mouser Stock No.	No. of Contacts	Contact Plating	Mounting Type	No. of Pins
151-1052	52	Tin	Thru-hole	52
151-1053	52	Gold	Thru-hole	52

Your source for quality electronics. Toll-free full services

(800)346-6873

<http://www.mouser.com>



Dimensions (In.)

Specifications:

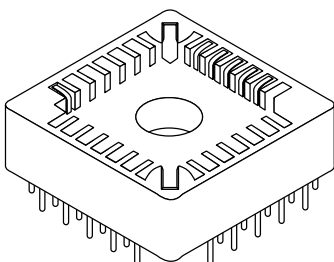
- Voltage rating: 100VAC RMS/150VDC
- Current rating: 1 amp
- Contact resistance: 30mΩ max
- Insulation resistance: 1000MΩ min at 100VDC
- Withstanding voltage: 600VAC RMS for 1 minute
- Operating temperature: -55°C to +125°C
- Applied (Wave soldering): +240°C (max 15 secs)
- Durability: 100cycles
- Vibration: 10,000 to 20,000Hz, 5Gs
- Insertion force: 170 gms per pin ±30gms
- Contact material: Phosphor bronze
- Insulator Material: 30% glass filled PBT
30% glass filled PPS
- Contact to contact capacitance: 1 picotared
- Contact plating: 3-5 microns tin over copper

Mouser Stock No.	No. of Contacts	Contact Plating	Mounting Type	No. of Pins
151-1068	68	Tin	Thru-hole	68
151-1069	68	Gold	Thru-hole	68

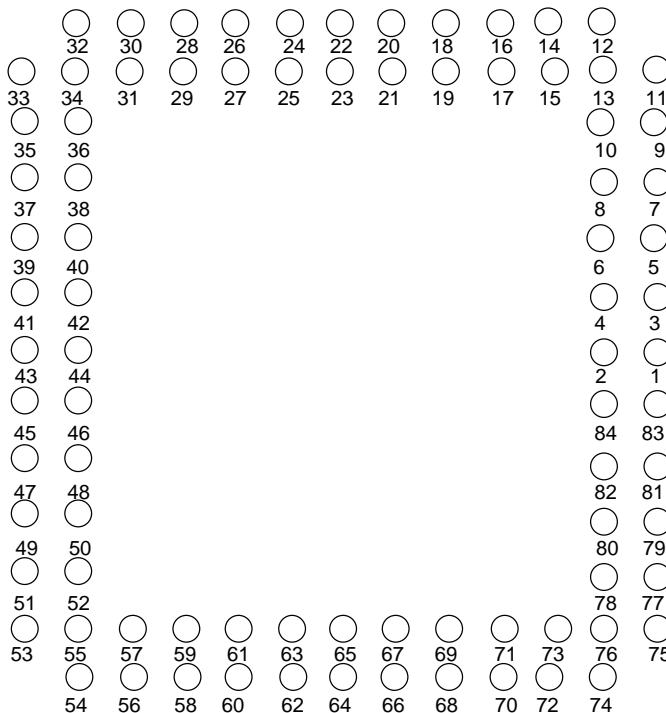
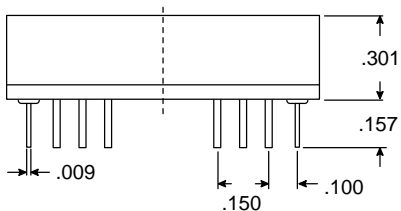
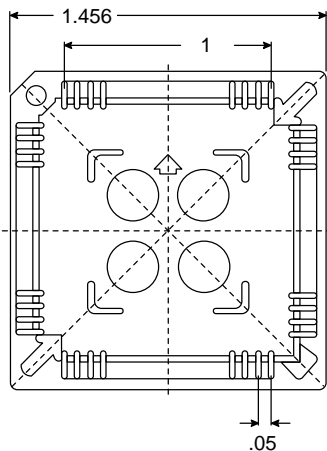
Your source for quality electronics. Toll-free full services

(800)346-6873

<http://www.mouser.com>



Dimensions (In.)



Specifications:

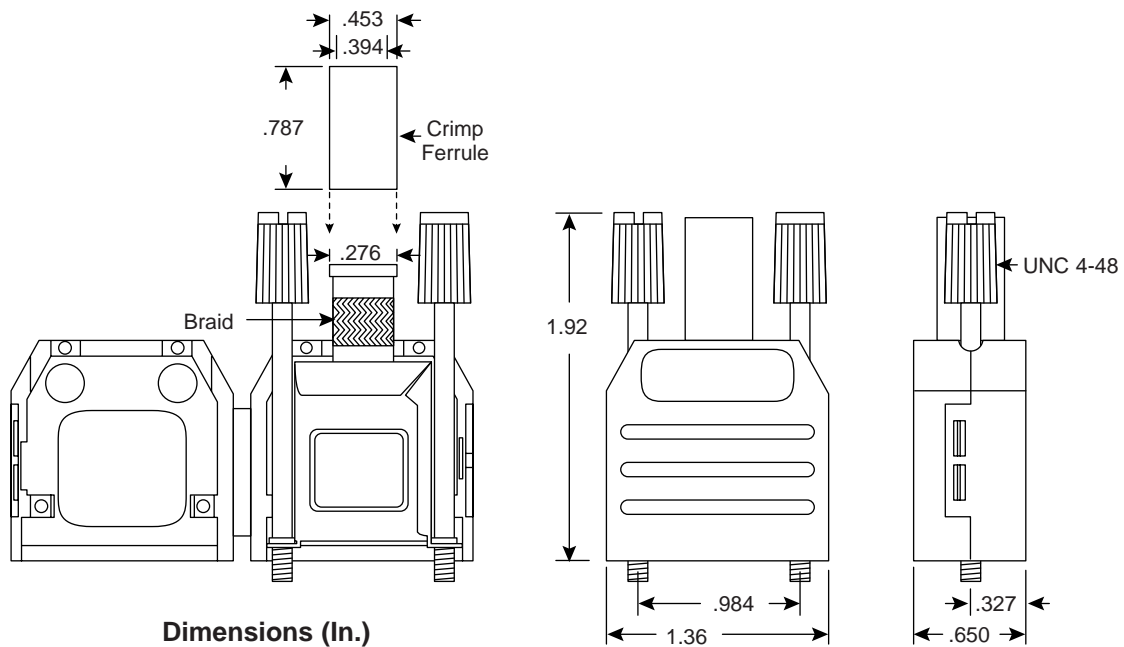
- Voltage rating: 100VAC RMS/150VDC
- Current rating: 1 amp
- Contact resistance: 30mΩ max
- Insulation resistance: 1000MΩ min at 100VDC
- Withstanding voltage: 600VAC RMS for 1 minute
- Operating temperature: -55°C to +125°C
- Applied (Wave soldering): +240°C (max 15 secs)
- Durability: 100cycles
- Vibration: 10,000 to 20,000Hz, 5Gs
- Insertion force: 170 gms per pin ±30gms
- Contact material: Phosphor bronze
- Insulator Material: 30% glass filled PBT
30% glass filled PPS
- Contact to contact capacitance: 1 picotared
- Contact plating: 3-5 microns tin over copper

Mouser Stock No.	No. of Contacts	Contact Plating	Mounting Type	No. of Pins
151-1084	84	Tin	Thru-hole	84
151-1085	84	Gold	Thru-hole	84

Your source for quality electronics. Toll-free full services

(800)346-6873

<http://www.mouser.com>

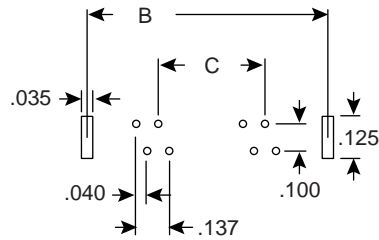
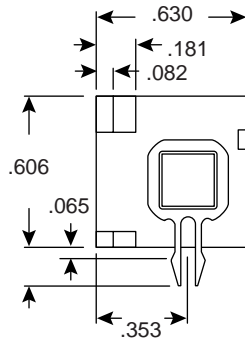
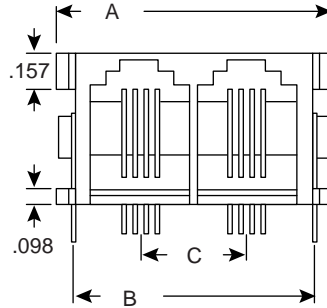
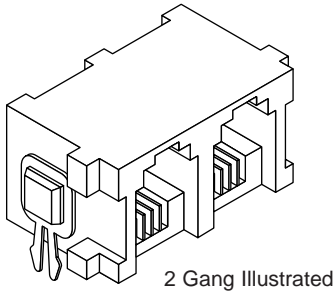


Dimensions (In.)

Specifications:

- Type: hinged construction with side snap locks, RFI/EMI shielded
- Shell size: DB9

- Color: black
- Outer shield: plastic
- Inner shield: metal
- Top jack screws: bonded nylon

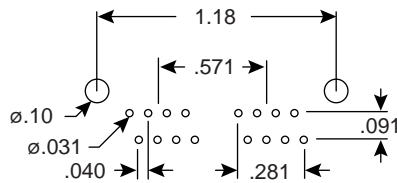
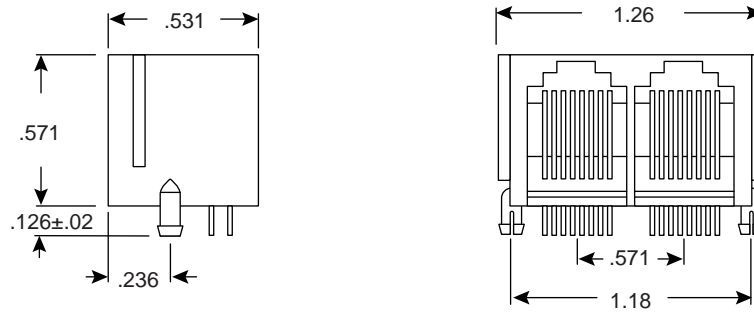


Dimensions (In.)

Specifications:

- Type: 6 positions/4 contacts, pc mount
- Color: gray
- Contacts: 50 micron gold plated
- Housing: 25% glass filled nylon 66, UL94V-0
- Other: FCC/CFR 47 part 68, Western Electric 623/RJ11 PCB type

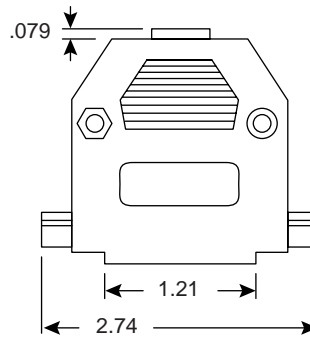
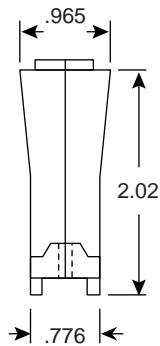
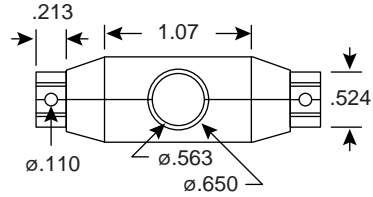
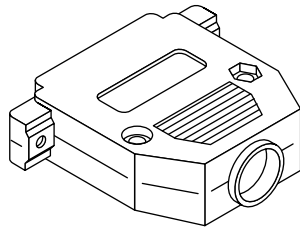
Mouser Stock No.	Gang	Dimensions (In.)		
		A	B	C
154-6412	2	1.11	0.96	1.433
154-6413	3	1.54	1.39	0.866
154-6414	4	1.97	1.82	1.299
154-6405	5	2.40	2.25	1.732
154-6406	6	2.83	2.68	2.165
154-6407	7	3.26	3.11	2.598
154-6408	8	3.69	3.54	3.031



Dimensions (In.)

Specifications:

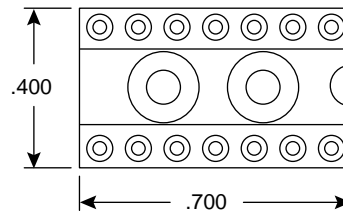
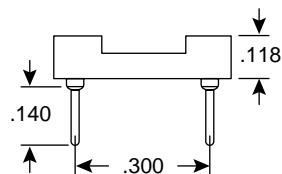
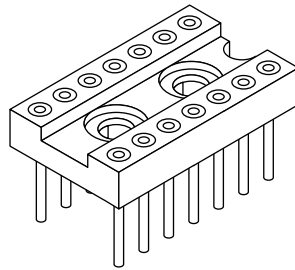
- Type: 8 positions/8 contacts, pc mount
- Color: gray
- Contacts: 50 micron gold plated
- Housing: 25% glass filled nylon 66, UL94V-0
- Meets the requirements of: Western Electric 623/RJ11 PCB type, FCC/CFR 47 part 68



Dimensions (In.)

Specifications:

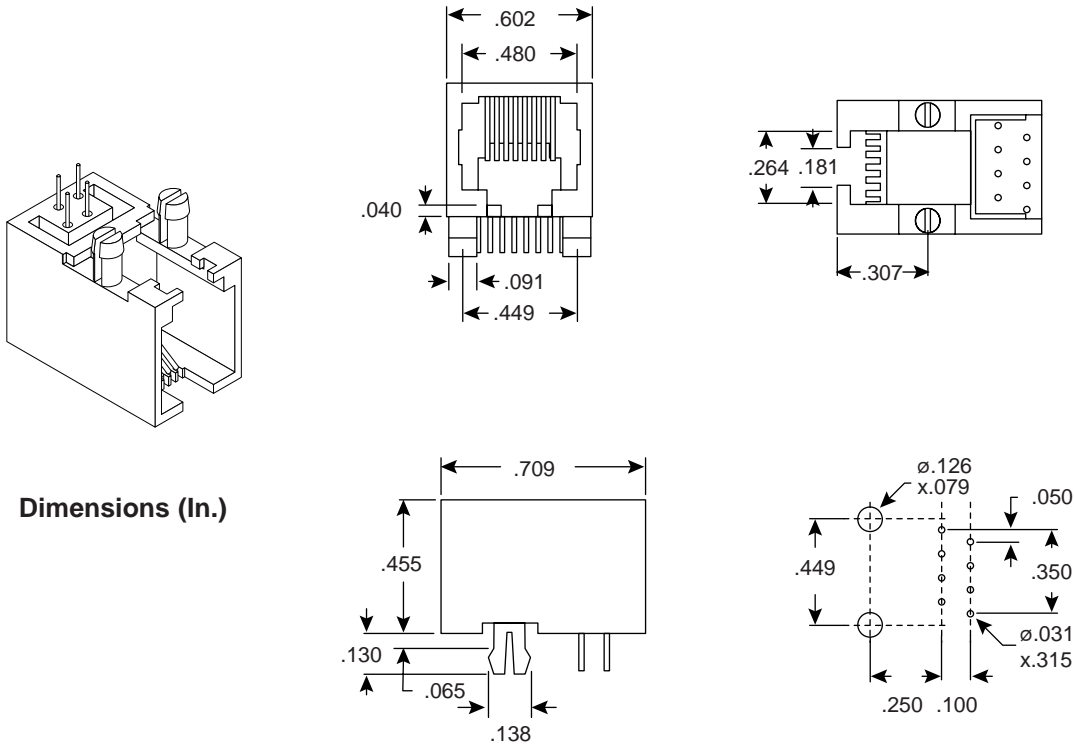
- Type: plastic metallized locking hood;
RFI/EMI shielded
- Shell size: DB37
- Straight cable exit
- Plating: nickel over copper



Dimensions (In.)

Specifications:

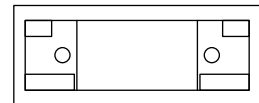
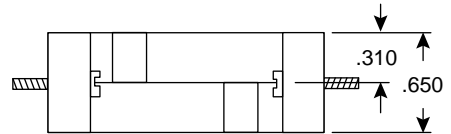
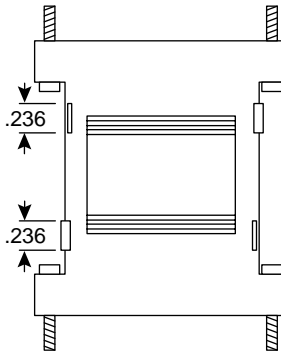
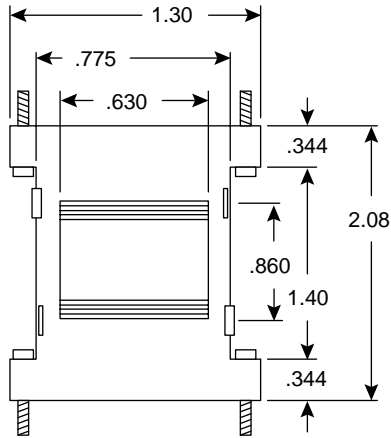
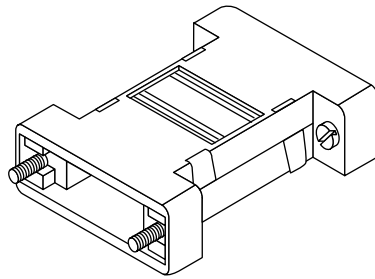
- Type: solid frame, machined contacts
- Contacts: 14
- Current rating: 3A
- Temperature range: -55°C~+125°C
- Contact resistance: <math><4\text{m}\Omega</math>
- Flammability rating: UL 94V-0
- Insulation: PBT 30% glass filled plastic
- Contact plating: tin (outer), gold (inner)
- Precision machined: 4 finger inner contact (for low insertion force), closed bottom sleeve (protects against contamination)



Dimensions (In.)

Specifications:

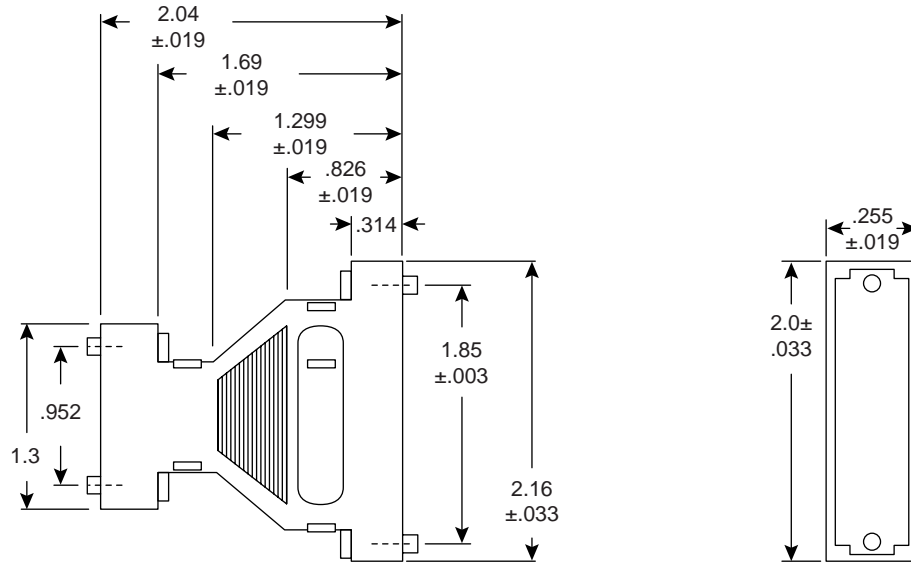
- Color: black
- Housing material: 15% glass filled polyester, PBT UL94V-0
- Terminal: phosphor bronze
- Contact: 50 micron gold plated nickel
- Operation temperature: -40°C ~ +80°C
- Insertion force: 900gms for 8 contacts
- Retention strength: 7.7kgs (jack ~ plug)
- Durability: 500 cycles (meets contact resistance test-check every 100 cycles; mating/unmating cycles @ 20 cycles per minute max.)
- Current rating: 1.5A max.
- Voltage rating: 150VAC max.
- Dielectric withstanding voltage: 1000VAC RMS 60Hz for 1 minute
- Contact resistance: 20mΩ max. initial
- Insulation resistance: 500MΩ min.
- Tolerance: ±.004



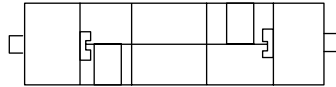
Dimensions (In.)

Specifications:

- Type: D-subminiature custom DB9/DB9 housing with screws
- Color: black
- Material: plastic
- Typical properties: PA-707
- Tensile strength: 520 (7370)
- Flexural modulus/strength: 15/2.5
- Rockwell hardness/strength: R-113/720
- Impact strength: 14 (2.6), 12 (2.2)
- Vicat softening temperature: 104
- HDT (annealed/unannealed): 95/85
- Specific gravity: 1.06
- Melt flow index: 1.6,8.3
- Flammability: 1/12H, file no. E55070



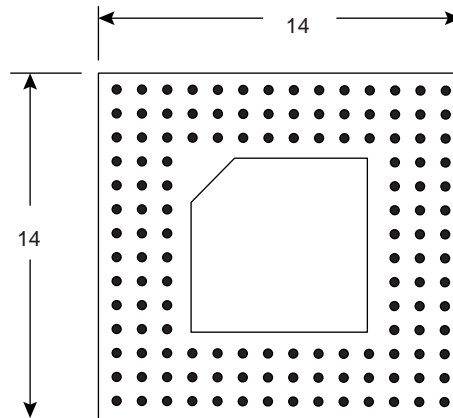
Side View



Dimensions (In.)

Specifications:

- Type: D-subminiature custom DB9/DB25 housing with screws
- Color: gray
- Material: plastic
- Typical properties: PA-707
- Tensile strength: 520 (7370)
- Flexural modulus/strength: 15/2.5
- Rockwell hardness/strength: R-113/720
- Impact strength: 14, (2.6), 12, (2.2)
- Vicat softening temperature: 104
- HDT (annealed/unannealed): 95/85
- Specific gravity: 1.06
- Melt flow index: 1.6,8.3
- Flammability: 1/12H, file no. E55070

**Dimensions (In.)****Specifications:**

- Contact resistance: $\leq 4\text{m}\Omega$ typical
- Current rating: 3A
- Capacitance (contact ~ contact): 0.35pF
- Insertion force: 30G pin typical
- Withdrawal force: 20G pin typical
- Maximum acceptable pin size: 0.018"
- Temperature range: $-55^{\circ}\text{C} \sim +150^{\circ}\text{C}$
- Number of pins: 132
- Insulator: PPS plastic
- Contact: gold plated, beryllium copper
- Pin: tin plated brass
- Flammability rating: UL94V2-0